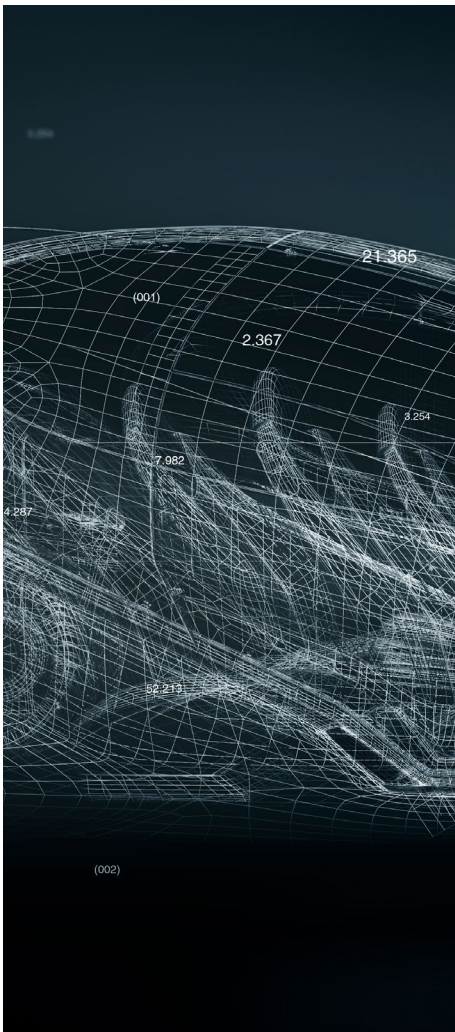


NanoMQS / MCON 0.50 PORTFOLIO

MINIATURIZED AUTOMOTIVE CONNECTION SYSTEMS



INNOVATIVE TECHNOLOGIES

TE Connectivity (TE) is a leader in automotive connectivity and sensor technology. Our engineers are always working to meet complex requirements. We connect nearly every electronic function in the vehicle - from alternative power systems to data connectivity and sensor technologies. Our technologies withstand harsh environments and tolerate high temperature, vibration, shock, pressure and long-life in electronic control systems.



INTERCONNECTION SYSTEMS

Our electrical and electronic interconnection products and solutions are used to electrically and mechanically connect wires and cables, printed circuit boards, integrated circuit packages, batteries and more.



HYBRID & ELECTRIC MOBILITY SOLUTIONS

Our technologies leverage decades of innovation and experience with high-voltage transmission and distribution. Our hybrid and electric mobility solutions include a complete line of connectors, terminals, sensors, cable assemblies, contactors, and battery connection protection to help safeguard the flow of power in hybrid and electric vehicles.



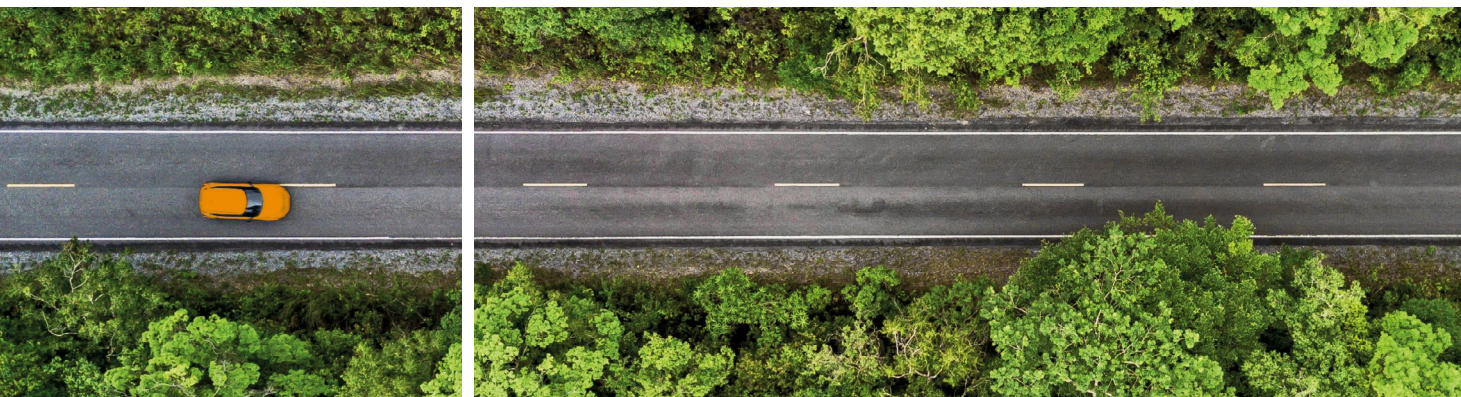
DATA CONNECTIVITY

Our wide range of data connectivity solutions are ideal for consumer port connections, high data rate applications, next-generation harness architecture, board-to-board connections and vehicle-to-vehicle communication.



WIRELESS

HIRSCHMANN MOBILITY Wireless Solutions enable high-performance signal reception and transmission for vehicles. We offer customized antenna systems as well as radio tuner systems for all common global standards. Together with the TE connectors solutions we provide One-Stop-Connectivity Solutions with components along the signal chain that are optimized and compatible with each other to provide best signal quality and real-time data.



SENSOR SOLUTIONS

Customers rely on our sensor technology to provide data for control, adaptation and response of vehicle functions and features that increase safety, comfort, efficiency, and more. We collaborate to provide solutions for demanding and harsh applications such as automated transmissions, engines, chassis, clutch, brake and exhaust. Our products can be found in vehicles traveling the world's roads and highways.



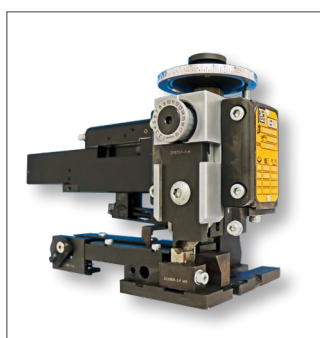
CABLE ASSEMBLY

TE is your partner for vehicle-specific cable assemblies. We offer research and development capabilities, prototypes and samples, as well as manufacturing facilities.



RELAYS



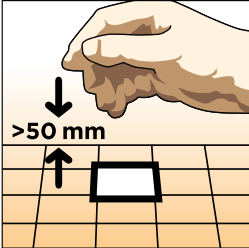

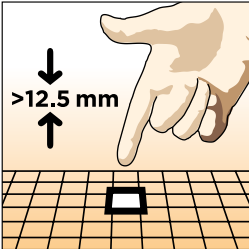
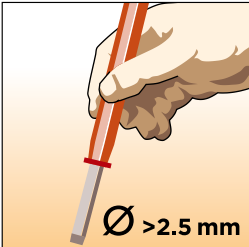
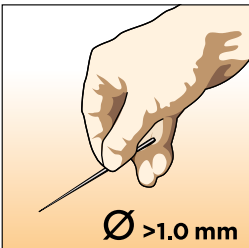
From passenger comfort and infotainment to higher DC voltages and power levels to harsh environments, our relays and contactors provide critical switching functions in multiple vehicle applications. With increased contact gaps and other key design features, our relays are ideal for harsh environments such as shock and vibration.




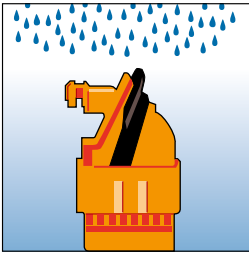
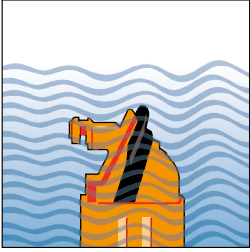

APPLICATION TOOLING

Ensuring a quality connection is essential to delivering high performance and reliability in extreme environments. From crimping a terminal onto a wire or pressing a connector onto a board, our equipment and services are designed to maximize production uptime, extend tooling life and minimize manufacturing waste.

IP Code | Elements and Significance acc. to IEC 60529 and DIN 40050

| 1st Digit | Against Foreign Objects (incl. Dust) | 1st Digit | Against Foreign Objects (incl. Dust) |
|-----------|---|-----------|---|
| 0 |  <p>Not protected.</p> | 5K |  <p>Dust protected.</p> |
| 1 |  <p>Protected against solid objects greater than 50 mm (ex. back of hand).</p> | 6K |  <p>Dust tight.</p> |
| 2 |  <p>Protected against solid objects greater than 12.5 mm (ex. finger).</p> | | |
| 3 |  <p>Protected against solid objects greater than 2.5 mm (ex. tool).</p> | | |
| 4 |  <p>Protected against solid objects greater than 1.0 mm (ex. wire).</p> | | |

IP Code | Elements and Significance acc. to IEC 60529 and DIN 40050

| 2nd Digit | Against Water | 2nd Digit | Against Water |
|-----------|---|-----------|--|
| 0 |  <p>Not protected.</p> | 5 |  <p>Protected against jetting water.</p> |
| 1 |  <p>Protected against vertically dripping water.</p> | 6 |  <p>Protected against powerfully jetting water.</p> |
| 2 |  <p>Protected against dripping water when tilted up to 15°.</p> | 6K |  <p>Protected against powerfully jetting water with increased pressure (Automotive).</p> |
| 3 |  <p>Protected against spraying water (up to 60° inclination).</p> | 7 |  <p>Protected against the temporary effects of immersion up to 1 meter.</p> |
| 4 |  <p>Protected against splashing water.</p> | 8 |  <p>Protected against continuous submersion agreed with customer, but more severe than code 7.</p> |
| 4K |  <p>Protected against splashing water with increased pressure.</p> | 9K |  <p>Protected against high-pressure/steam-jet cleaning (Automotive).</p> |

| NanoMQS/MCON 0.50 PORTFOLIO | | Page |
|---|--|--------------------|
| 1 MINIATURIZATION TERMINALS | | |
| Introduction | | 11 |
| Receptacle Contacts | | 12 |
| Tab Contacts | | 13 |
| NanoMQS crimp-optimized | | 14 |
| NanoMQS FFC/FPC Terminal | | 15 |
| MCON 0.50 Terminal | | 16 |
| NanoMultispring Press-Fit Pin | | 17 |
| 2 MINIATURIZATION TOP/SIDE LATCH, UNSEALED | | |
| Introduction | | 19 |
| 2.1 NanoMQS Top Latch, Unsealed | | |
| Receptacle Housings - 8 Positions | | 20 |
| Receptacle Housings - 12 Positions | | 21 |
| Receptacle Housings - 20 Positions | | 22 |
| Receptacle Housings - 32 Positions | | 23 |
| 2.2 NanoMQS Top Latch, FFC/FPC | | |
| Receptacle Housings - FFC/FPC - 2 Row Design - 8 Positions | | 24 |
| Receptacle Housings - FFC/FPC - 2 Row Design - 20 Positions | | 25 |
| Receptacle Housings - FFC/FPC - 2 Row Design - 32 Positions | | 26 |
| 2.3 NanoMQS Side Latch, Unsealed | | |
| Receptacle Housings - 2 Row Design - 6 Positions | | 27 |
| Receptacle Housings - 2 Row Design - 10 Positions | | 28 |
| Receptacle Housings - 2 Row Design - 14 Positions | | 29 |
| Receptacle Housings - 2 Row Design - 20 Positions | | 30 |
| Receptacle Housings - 1 Row Design - 2 Positions | | 31 |
| Receptacle Housings - 1 Row Design - 3 Positions | | 32 |
| Receptacle Housings - 1 Row Design - 4 Positions | | 33 |
| Receptacle Housings - 1 Row Design - 5 Positions | | 34 |
| Receptacle Housings - 1 Row Design - 6 Positions | | 35 |
| Receptacle Housings - 1 Row Design - 7 Positions | | 36 |
| Receptacle Housings - 1 Row Design - 8 Positions | | 37 |
| Receptacle Housings - 1 Row Design - 9 Positions | | 38 |
| Receptacle Housings - 1 Row Design - 10 Positions | | 39 |
| Receptacle Housings - 1 Row Design - 11 Positions | | 40 |
| Receptacle Housings - 2 Row Design - 4 Positions | | 41 |

| NanoMQS/MCON 0.50 PORTFOLIO | | Page |
|--|--|--------------------|
| 2 TOP/SIDE LATCH, UNSEALED | | |
| Receptacle Housings - 2 Row Design - 6 Positions | | 42 |
| Receptacle Housings - 2 Row Design - 8 Positions | | 43 |
| Receptacle Housings - 2 Row Design - 10 Positions | | 44 |
| Receptacle Housings - 2 Row Design - 12 Positions | | 45 |
| Receptacle Housings - 2 Row Design - 14 Positions | | 46 |
| Receptacle Housings - 2 Row Design - 16 Positions | | 47 |
| Receptacle Housings - 2 Row Design - 18 Positions | | 48 |
| Receptacle Housings - 2 Row Design - 20 Positions | | 49 |
| 2.4 NanoMQS Side Latch, Unsealed, with CPA | | |
| Receptacle Housings - 1 Row Design - 2 Pos with CPA | | 50 |
| Receptacle Housings - 1 Row Design - 3 Pos with CPA | | 51 |
| Receptacle Housings - 1 Row Design - 4 Pos with CPA | | 52 |
| Receptacle Housings - 1 Row Design - 5 Pos with CPA | | 53 |
| Receptacle Housings - 1 Row Design - 6 Pos with CPA | | 54 |
| Receptacle Housings - 1 Row Design - 8 Pos with CPA | | 55 |
| Receptacle Housings - 2 Row Design - 4 Pos with CPA | | 56 |
| Receptacle Housings - 2 Row Design - 6 Pos with CPA | | 57 |
| Receptacle Housings - 2 Row Design - 8 Pos with CPA | | 58 |
| Receptacle Housings - 2 Row Design - 10 Pos with CPA | | 59 |
| Receptacle Housings - 2 Row Design - 12 Pos with CPA | | 60 |
| Receptacle Housings - 2 Row Design - 14 Pos with CPA | | 61 |
| Receptacle Housings - 2 Row Design - 16 Pos with CPA | | 62 |
| Receptacle Housings - 2 Row Design - 18 Pos with CPA | | 63 |
| Receptacle Housings - 2 Row Design - 20 Pos with CPA | | 64 |
| 3 MINIATURIZATION SEALED HOUSINGS | | |
| Introduction | | 65 |
| 3.1 NanoMQS Sealed Housings | | |
| Receptacle Housings - 2 Positions | | 66 |
| Receptacle Housings - 4 Positions | | 67 |
| Receptacle Housings - 2-6 Positions | | 68 |
| Receptacle Housings - 6 Positions | | 69 |
| Receptacle Housings - 8 Positions | | 70 |

| NanoMQS/MCON 0.50 PORTFOLIO | Page |
|---|--------------------|
| 3.2 MCON 0.50 Sealed Housings | |
| Receptacle Housings - 1 Row Design - 3 Positions | 71 |
| Receptacle Housings - 1 Row Design - 4 Positions | 72 |
| Receptacle Housings - 1 Row Design - 6 Positions | 73 |
| Receptacle Housings - 2 Row Design - 4 Positions | 74 |
| Receptacle Housings - 2 Row Design - 6 Positions | 75 |
| Receptacle Housings - 2 Row Design - 8 Positions | 76 |
| Receptacle Housings - 2 Row Design - 10 Positions | 77 |
| Receptacle Housings - 2 Row Design - 12 Positions | 78 |
| 4 MINIATURIZATION HEADERS | |
| Introduction | 79 |
| 4.1 NanoMQS TOP LATCH THT (PIN-IN-PASTE) HEADERS | |
| PCB Headers - Right Angle - 8 Positions | 80 |
| PCB Headers - Right Angle - 12 Positions | 81 |
| PCB Headers - Right Angle - 20 Positions | 82 |
| PCB Headers - Right Angle - 32 Positions | 83 |
| PCB Headers - Vertical - 8 Positions | 84 |
| PCB Headers - Vertical - 12 Positions | 85 |
| PCB Headers - Vertical - 20 Positions | 86 |
| PCB Headers - Vertical - 32 Positions | 87 |
| 4.2 NanoMQS SIDE LATCH THT (PIN-IN-PASTE) HEADERS | |
| PCB Headers - 2 Row Design - 6 Positions | 88 |
| PCB Header - 2 Row Design - 20 Positions | 89 |
| PCB Headers - Right Angle - 2 Row Design - 6 Positions | 90 |
| PCB Headers - Right Angle - 2 Row Design - 10 Positions | 91 |
| 4.3 NanoMQS SMD HEADERS | |
| PCB Headers - Right Angle - 1 Row Design - 4 Positions | 92 |
| PCB Headers - Right Angle - 1 Row Design - 5 Positions | 93 |
| PCB Headers - Right Angle - 1 Row Design - 6 Positions | 94 |
| PCB Headers - Right Angle - 1 Row Design - 7 Positions | 95 |
| PCB Headers - Right Angle - 1 Row Design - 8 Positions | 96 |
| PCB Headers - Right Angle - 1 Row Design - 10 Positions | 97 |
| PCB Headers - Vertical Angle - 1 Row Design - 4 Positions | 98 |
| PCB Headers - Vertical Angle - 1 Row Design - 5 Positions | 99 |

| NanoMQS/MCON 0.50 PORTFOLIO | Page |
|--|---------------------|
| 4.3 NanoMQS SMD HEADERS | |
| PCB Headers - Vertical Angle - 1 Row Design - 6 Positions | 100 |
| PCB Headers - Vertical Angle - 1 Row Design - 8 Positions | 101 |
| PCB Headers - Vertical Angle - 1 Row Design - 10 Positions | 102 |
| PCB Headers - Right Angle - 2 Row Design - 12 Positions | 103 |
| PCB Headers - Right Angle - 2 Row Design - 14 Positions | 104 |
| PCB Headers - Right Angle - 2 Row Design - 16 Positions | 105 |
| PCB Headers - Right Angle - 2 Row Design - 20 Positions | 106 |
| PCB Headers - Vertical Angle - 2 Row Design - 8 Positions | 107 |
| PCB Headers - Vertical Angle - 2 Row Design - 10 Positions | 108 |
| PCB Headers - Vertical Angle - 2 Row Design - 12 Positions | 109 |
| PCB Headers - Vertical Angle - 2 Row Design - 16 Positions | 110 |
| PCB Headers - Vertical Angle - 2 Row Design - 22 Positions | 111 |
| 5 APPLICATION TOOLING | |
| TE CONNECTIVITY ONLINE | 118 |
| GLOBAL CONTACTS | 119 |
| IMPRINT | 119 |

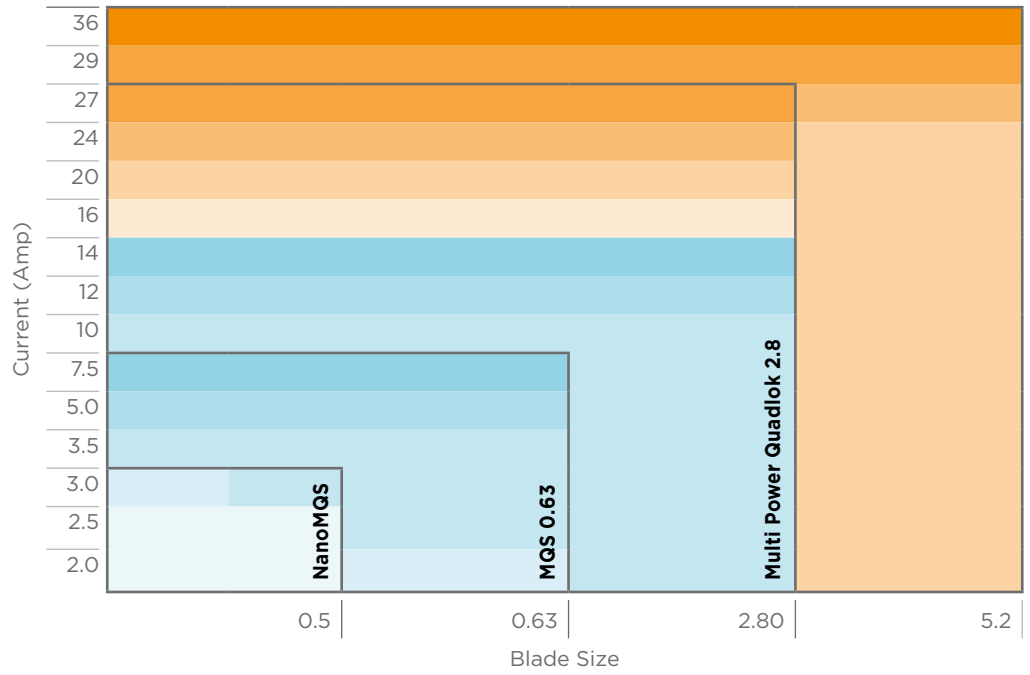
Blade Size vs. Current

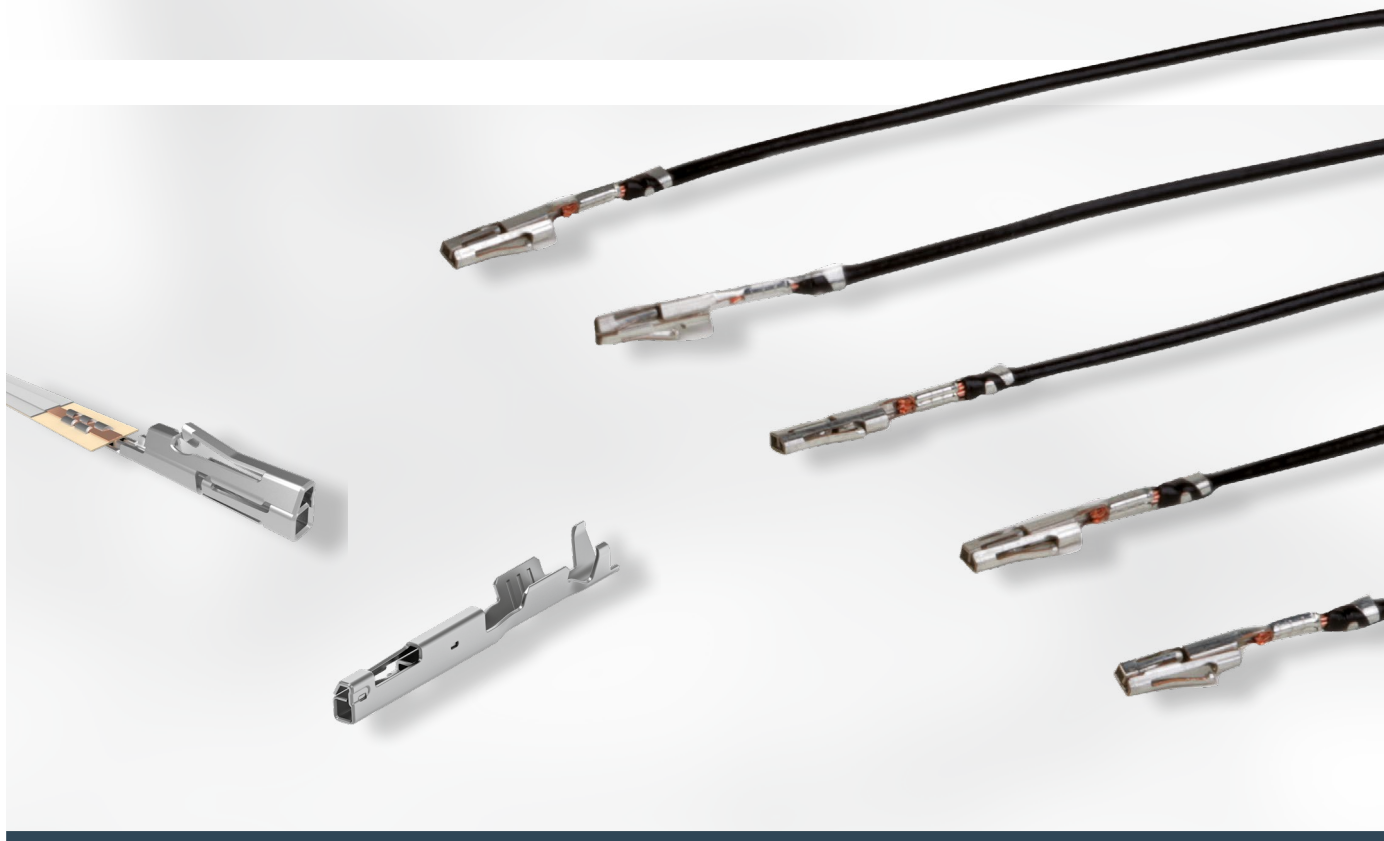
Wire Size

- 6.00 mm²
- 4.00 mm²
- 2.50 mm²
- 1.50 mm²
- 1.00 mm²
- 0.75 mm²
- 0.50 mm²
- 0.35 mm²
- 0.20/0.22 mm²
- 0.13/0.17 mm²

Temperature

Depending on Wire Size 85°C+





Miniaturization Terminals

Miniaturization

1.8 mm pin-to-pin pitch
0.5 x 0.4 mm blade size

Flexibility

0.13 to 0.35 mm² compatible wire sizes
Flexible Flat Cables (FFC) / Flexible Printed Cables (FPC) compatibility

Automotive-robust Performance

Current capacity of 3A
Max. temperature: 170°C (Ag-plated)
SG2 vibration grade (unsealed applications)
SG4 vibration grade (sealed applications)
Automotive-standards conform

Wide Portfolio

Locking lance design
Clean body terminal
Different surfaces available: Sn-, Ag- and Au-plated



Technical Features

Contact Material:

CuNiSi/CuSn

Surface Contact Area:

Tin plated: 0.8-2.2 μm Sn

Silver plated: 1.6-5 μm Ag

Gold plated: min 0.8 μm Au

Wire Size Range:

0.13–0.35 mm²

Current Carrying Capacity:

Up to 3 A at 90°C (CuSn, Sn)

Up to 3A at 125°C (CuNiSi, Sn)

Up to 3A at 160°C (Ag)

Up to 3A at 140°C (Au)

Temperature Range:

-40°C ... +105°C (tin plated)

-40°C ... +170°C (silver plated)

-40°C ... +130°C (CuNiSi,
tin plated)

-40°C ... +150°C (gold plated)

Cycles:

20 tin plated

50 silver plated

100 gold plated

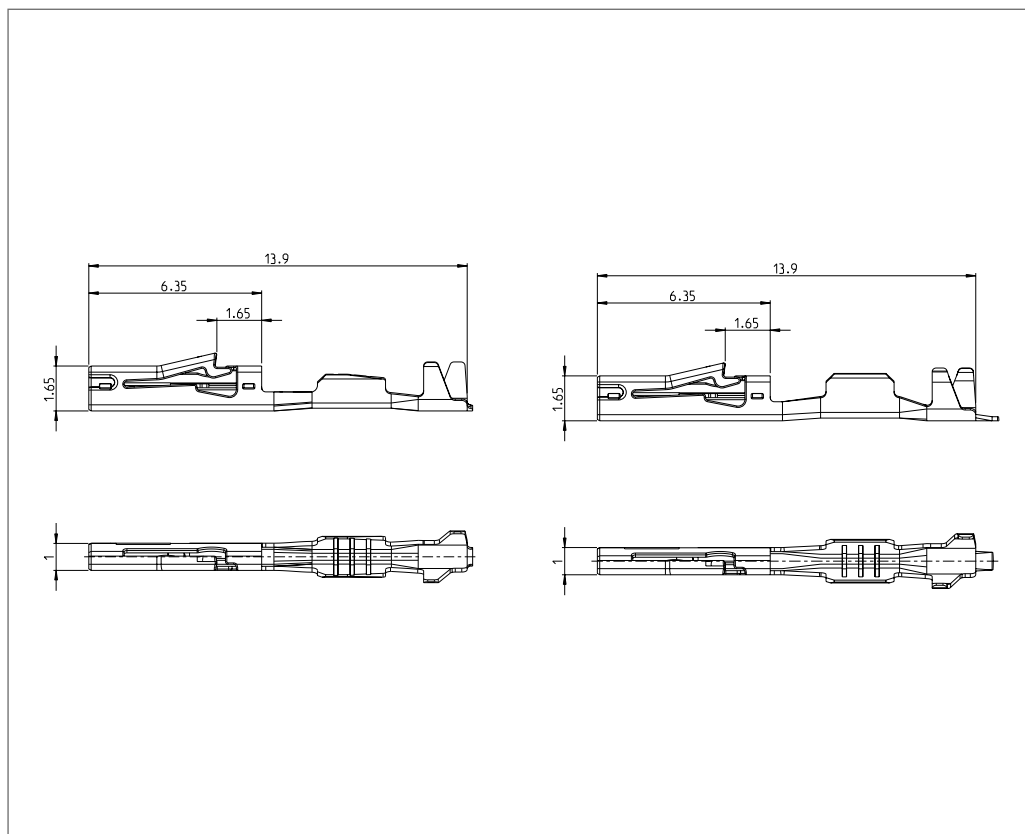
Application Specification:

114-18858

Product Specification:

108-94099

Receptacle Contacts



| Wire Size Range (mm ²) | Insulation Diameter (mm) | Material and Finish | Part Numbers | |
|------------------------------------|--------------------------|-----------------------|-----------------------------|-----------------------------|
| | | | Mating Tab Contact | Strip Form |
| 0.13 - 0.17 | max. 1.1 | CuNiSi, silver plated | 2236905-3 | 1-1703930-2 |
| | | CuSn, tin plated | 2236905-1 | 1-1703930-1 |
| | | CuNiSi, tin plated | 1-2236905-1 | 2-1703930-4 |
| 0.22 - 0.35 | 0.95 - 1.2 | CuNiSi, silver plated | 1-2236905-3 | 2-1703930-2 |
| | | CuSn, tin plated | 1-2236905-1 | 2-1703930-1 |
| | | CuNiSi, gold plated | /. | 2-1703930-3 |
| | | CuNiSi, tin plated | 1-2236905-1 | 2-1703930-4 |
| 0.35 | min. 1.2 max. 1.3 | CuNiSi, silver plated | 1-2236905-3 | 2-1703930-2 |
| | | CuSn, tin plated | 1-2236905-1 | 2-1703930-1 |
| | | CuNiSi, gold plated | /. | 2-1703930-3 |

Mating Tab Contact
see page 10



Selecting an Applicator Online:

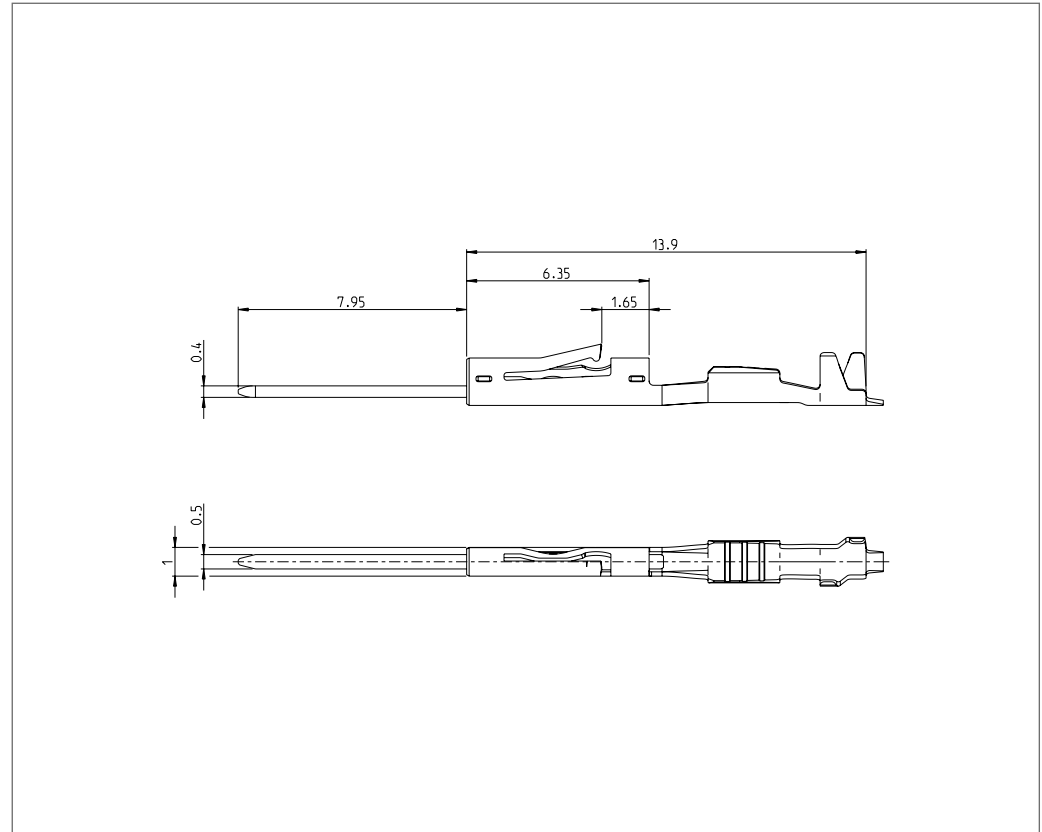
www.te.com/usa-en/products/application-tooling/mini-applicator-parts-search.html

Selecting Applicator Replaceable Tooling Online:

www.te.com/global-en/products/application-tooling/applicator-spare-parts-search.html



Tab Contacts



Technical Features

Contact Material:
CuSn

Surface Contact Area:
Tin plated: 1-3 μm Sn
Silver plated: 2-4 μm Ag

Wire Size Range:
0.13-0.35 mm²

Current Carrying Capacity:
Up to 3 A at 90°C

Temperature Range:
-40°C ... +105°C (tin plated)
-40°C ... +170°C (silver plated)

Cycles:
20 tin plated
50 silver plated

Application Specification:
114-94288

Product Specification:
108-94099

| Wire Size Range (mm ²) | Insulation Diameter (mm) | Material and Finish | Part Numbers | |
|------------------------------------|--------------------------|-----------------------|-----------------------------|-----------------------------|
| | | | Mating Tab Contact | Strip Form |
| 0.13 - 0.17 | 0.85 - 1.10 | CuSn, tin plated | 1-1703930-1 | 2236905-1 |
| | | CuNiSi, silver plated | 1-1703930-2 | 2236905-3 |
| 0.22 - 0.35 | 0.95 - 1.30 | CuSn, tin plated | 2-1703930-1 | 1-2236905-1 |
| | | CuNiSi, silver plated | 2-1703930-2 | 1-2236905-3 |
| 0.35 | 1.20 - 1.30 | CuSn, tin plated | 2-1703930-1 | 1-2236905-1 |
| | | CuNiSi, silver plated | 2-1703930-2 | 1-2236905-3 |

Mating Tab Contact
see page 9



Selecting an Applicator Online:
www.te.com/usa-en/products/application-tooling/mini-applicator-parts-search.html

Selecting Applicator Replaceable Tooling Online:
www.te.com/global-en/products/application-tooling/applicator-spare-parts-search.html



Technical Features

Contact Material:

CuNiSi

Contact Finish:
Tin Plated: 0.8 - 2.2 μm SnSilver Plated: 1.6-5 μm AgGold Plated: min 0.8 μm Au
Wire Size Range:
0.13-0.35 mm²
Current Carrying Capacity:

Up to 3A at 125°C (CuNiSi, Sn)

Up to 3A at 160°C (Ag)

Up to 3A at 140°C (Au)

Temperature Range:

-40°C ... +130°C (CuNiSi,

tin plated)

-40°C ... +170°C (silver plated)

-40°C ... +150°C (gold plated)

Mating Cycles:

20 tin plated

50 silver plated

100 gold plated

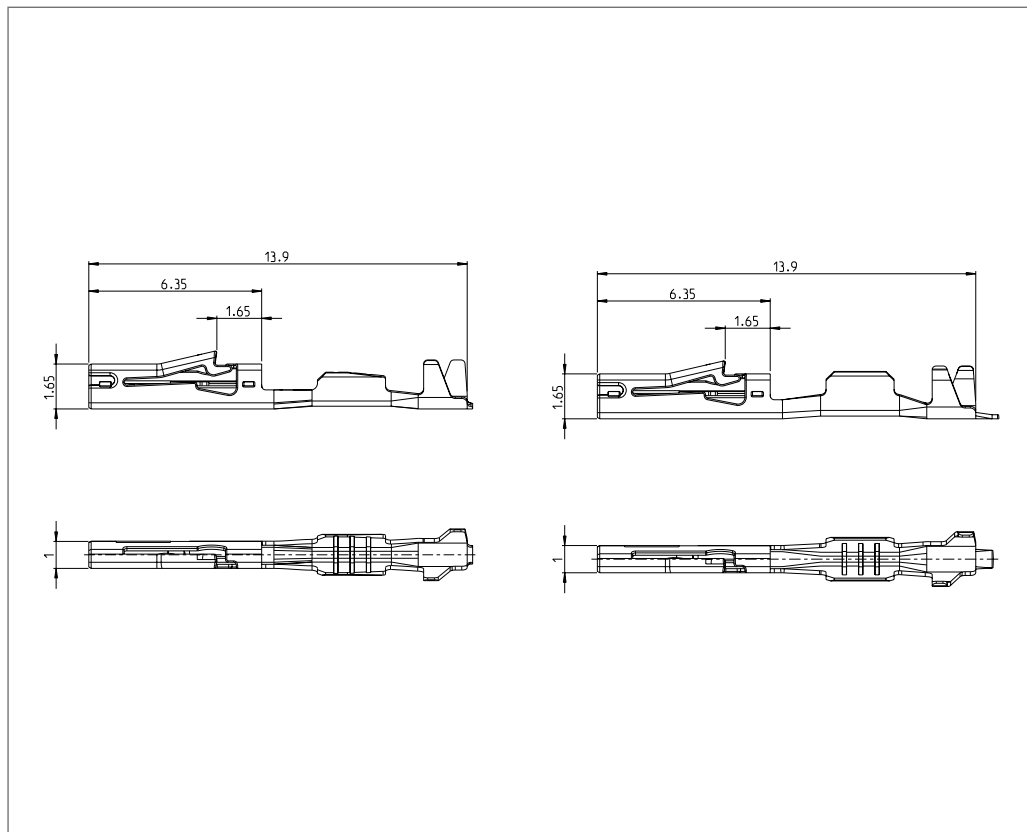
Product Specification:

108-94099

Application Specification:

114-18858

NanoMQS crimp-optimized

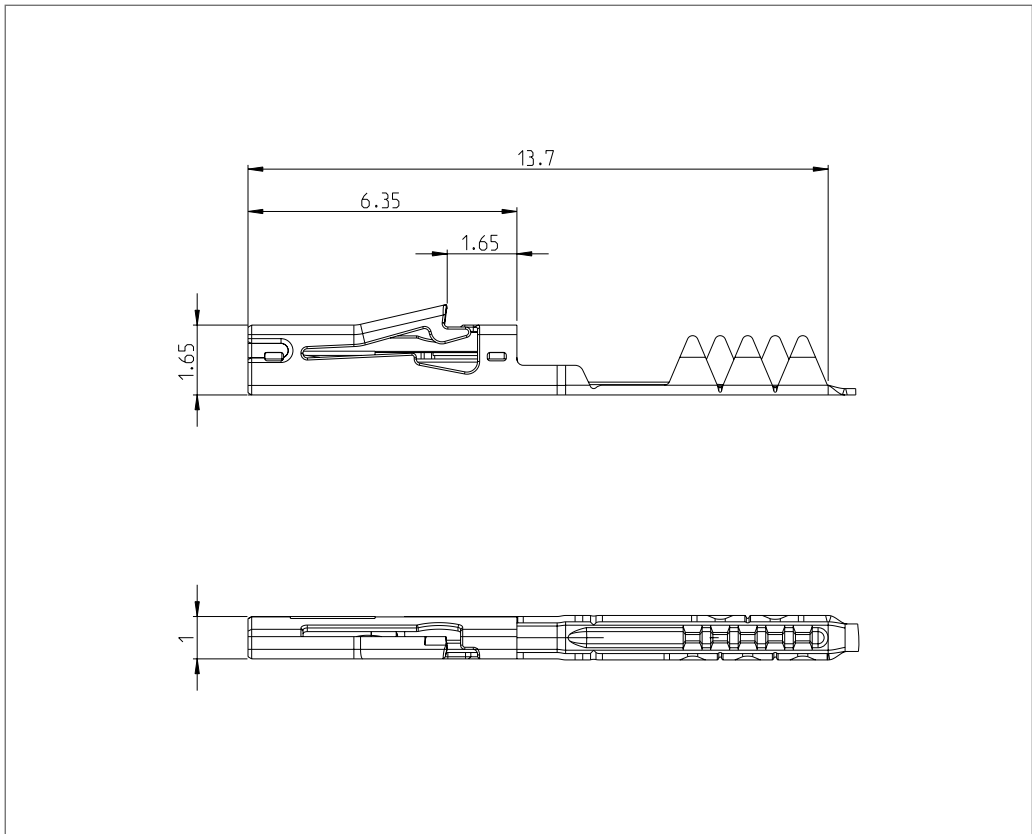


| Wire Size Range (mm ²) | Insulation Diameter (mm) | Material and Finish | Part Number Strip Form |
|------------------------------------|--------------------------|-----------------------|-----------------------------|
| 0.22-0.35 | 0.95-1.2 | CuNiSi, tin plated | 4-1703930-4 |
| | | CuNiSi, silver plated | 4-1703930-2 |
| | | CuNiSi, gold plated | 4-1703930-3 |
| 0.35 | min 1.2 max. 1.3 | CuNiSi, tin plated | 4-1703930-4 |
| | | CuNiSi, silver plated | 4-1703930-2 |
| | | CuNiSi, gold plated | 4-1703930-3 |

Selecting an Applicator Online:
www.te.com/usa-en/products/application-tooling/mini-applicator-parts-search.html
Selecting Applicator Replaceable Tooling Online:
www.te.com/global-en/products/application-tooling/applicator-spare-parts-search.html



NanoMQS FFC/FPC Terminal



Technical Features

- Contact Material:**
CuSn
- Contact Finish:**
Tin plated: 0.8 - 2.2 μm Sn
- Wire Size Range:**
Flexible Foils i.e. FFC or FPC
For details, please see
Application Specification
- Current Carrying Capacity:**
Up to 1A at 100°C
- Temperature Range:**
-40°C ... +105°C
- Mating Cycles:**
20 tin plated
- Product Specification:**
108-94489
- Application Specification:**
114-94383

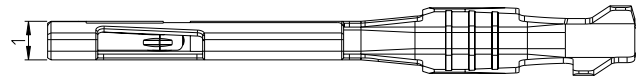
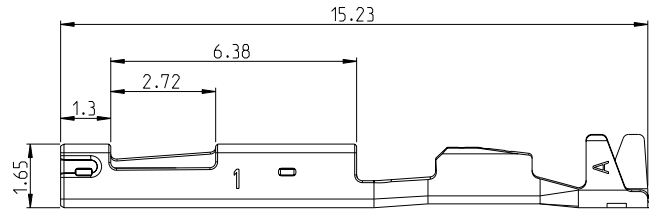
| Wire Size Range (mm ²) | Material and Finish | Part Number Strip Form |
|---|---------------------|-----------------------------|
| FFC or FPC according to Application Specification | CuSn, tin plated | 1-2291853-1 |

Selecting an Applicator Online:
www.te.com/usa-en/products/application-tooling/mini-applicator-parts-search.html

Selecting Applicator Replaceable Tooling Online:
www.te.com/global-en/products/application-tooling/applicator-spare-parts-search.html



MCON 0.50 Terminal



Technical Features

Contact Material:
CuNiSi/CuSn

Contact Finish:
Tin Plated: 0.8 - 2.2 μm Sn
Silver Plated: 1.6-5 μm Ag
Gold Plated: min 0.8 μm Au

Wire Size Range:
0.13-0.35 mm^2

Current Carrying Capacity:
Up to 3A at 90°C (CuSn, Sn)
Up to 3A at 125°C (CuNiSi, Sn)
Up to 3A at 160°C (Ag)
Up to 3A at 140°C (Au)

Temperature Range:
-40°C ... +105°C (CuSn,
tin plated)
-40°C ... +130°C (CuNiSi,
tin plated)
-40°C ... +170°C (silver plated)
-40°C ... +150°C (gold plated)

Mating Cycles:
20 tin plated
50 silver plated
100 gold plated

Product Specification:
108-94342

Application Specification:
114-94191

| Wire Size Range (mm^2) | Insulation Diameter (mm) | Material and Finish | Part Number Strip Form |
|--------------------------------------|-----------------------------|------------------------|-----------------------------|
| 0.13-0.17 | max 1.1 | CuSn, tin plated | 2177908-1 |
| | | CuNiSi, tin plated | 1-2177908-1 |
| | | CuNiSi, silver plated | 2177908-3 |
| | | CuNiSi, gold plated | 1-2177908-2 |
| 0.22-0.35 | 0.95-1.2 | CuSn, tin plated | 2177909-1 |
| | | CuNiSi, tin plated | 1-2177909-1 |
| | | CuNiSi, silver plated | 2177909-3 |
| 0.35 | min 1.2 max. 1.3 | CuNiSi, gold plated | 1-2177909-2 |
| | | CuSn, tin plated | 2177909-1 |
| | | CuNiSi, tin plated | 1-2177909-1 |
| | | CuNiSi, silver plated | 2177909-3 |
| | | CuNiSi, gold plated | 1-2177909-2 |

Selecting an Applicator Online:

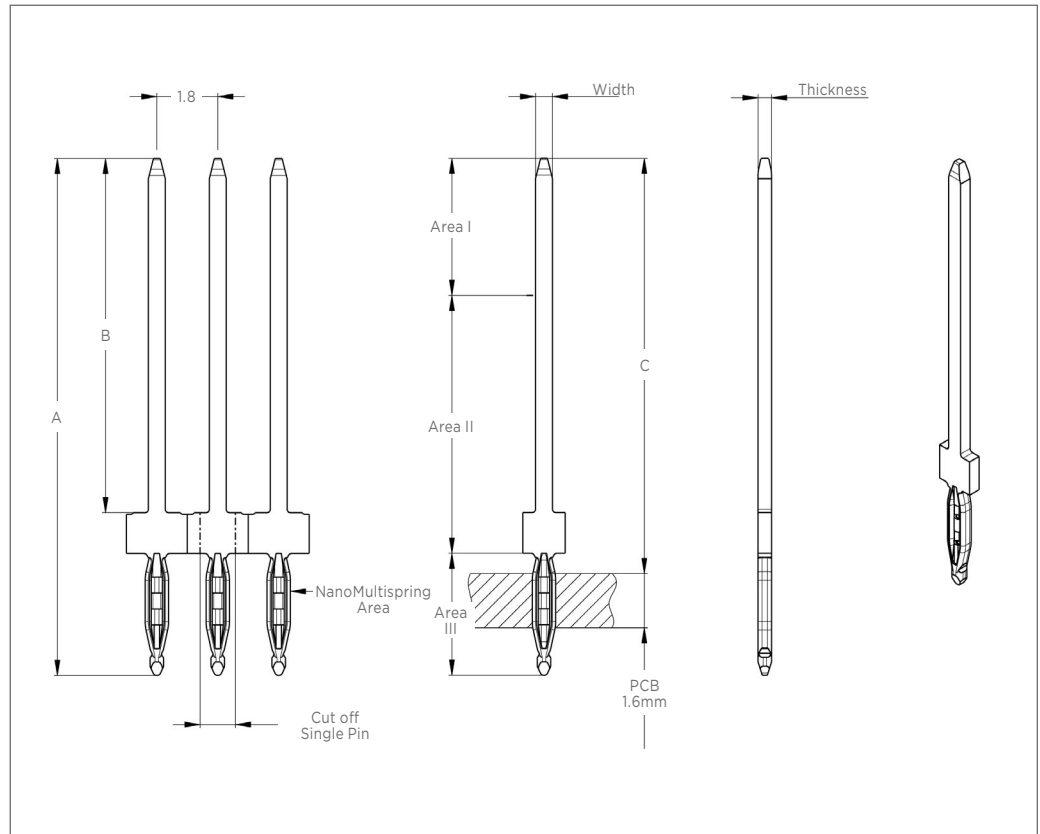
www.te.com/usa-en/products/application-tooling/mini-applicator-parts-search.html

Selecting Applicator Replaceable Tooling Online:

www.te.com/global-en/products/application-tooling/applicator-spare-parts-search.html



NanoMultispring Press-Fit Pin

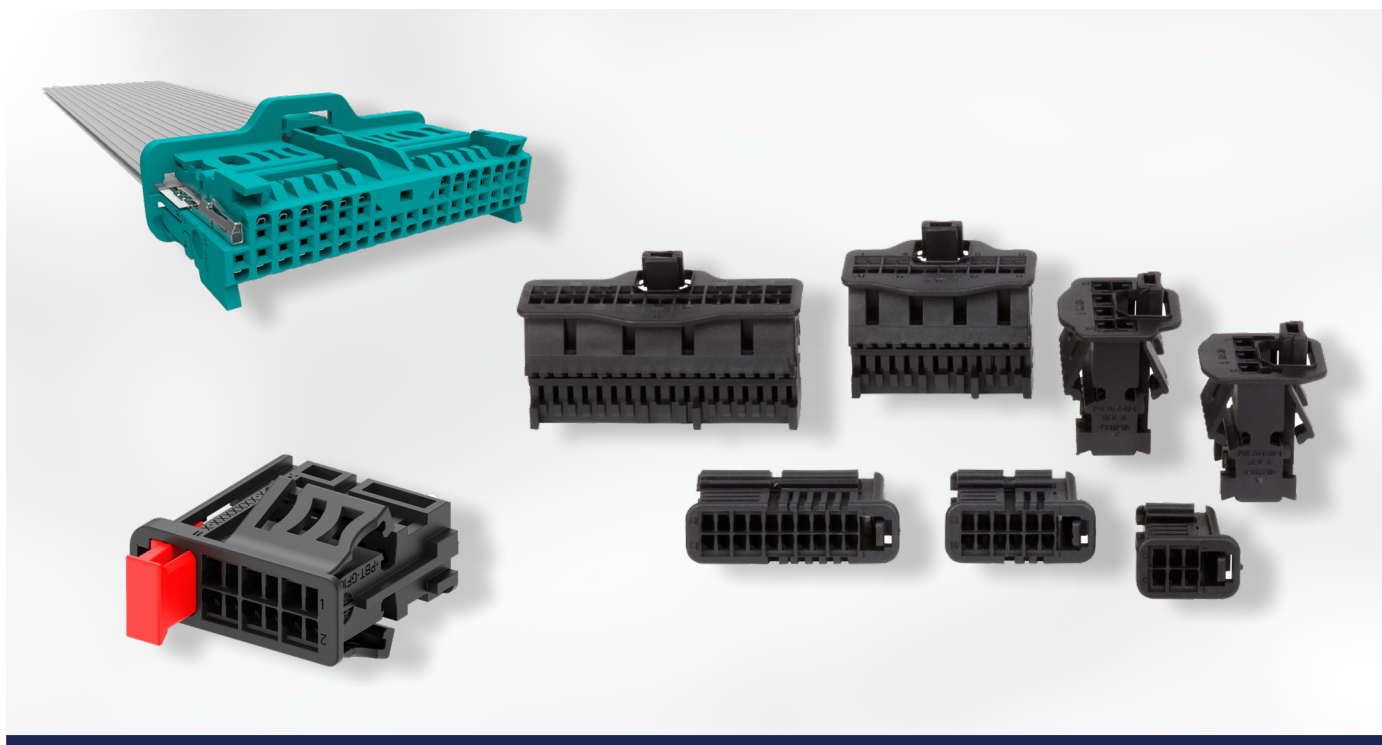


Technical Features

- Press-Fit Zone:**
NanoMultispring
- Material Thickness:**
0.4 mm
- Total Temperature Range:**
-40°C ... +125°C
- Insertion Force:**
Max 100 N
- Push-out Force:**
Min 20 N
- Product Drawing:**
2282347
- Product Requirements:**
IEC 60352-5 / TE 108-90836
- Product Specification:**
TE 108-90836

| Dimension Area I, Contact Tab Area (mm) | Dimensions (mm) | | | Nominal PCB Hole Diameter (mm) | Material | Finish Area I, Contact Tab Area | Finish Area III, Press-Fit Area | Part Number | Mating Receptacle Contact |
|---|-------------------|------|-------------------------------|--------------------------------|----------|---------------------------------|---------------------------------|---------------------------|-------------------------------|
| | Width x Thickness | A | B | | | | | | |
| 0.5 x 0.4 | 13.70 | 8.90 | 12.25 | 0.6 | CuSn6 | Sn | Sn | 2282347-1 | x- 1703930 -x |
| | | | x- 2177908 -x | | | | | | |
| | | | x- 2177909 -x | | | | | | |
| 0.5 x 0.4 | 12.80 | 8.00 | 11.35 | 0.6 | CuSn6 | Sn | Sn | 2282347-2 | x- 1703930 -x |
| | | | x- 2177908 -x | | | | | | |
| | | | x- 2177909 -x | | | | | | |
| 0.5 x 0.4 | 11.65 | 6.85 | 8.30 | 0.6 | CuSn6 | Sn | Sn | 2282347-3 | x- 1703930 -x |
| | | | x- 2177908 -x | | | | | | |
| | | | x- 2177909 -x | | | | | | |

The table consists of a grid of 20 columns and 30 rows of dots. Most dots are grey, but several are highlighted in orange. The orange dots are located at the following approximate coordinates (row, column): (1, 6), (3, 16), (6, 11), (8, 1), (9, 7), (14, 11), (14, 19), (17, 11), (21, 19), (26, 6), and (29, 1).

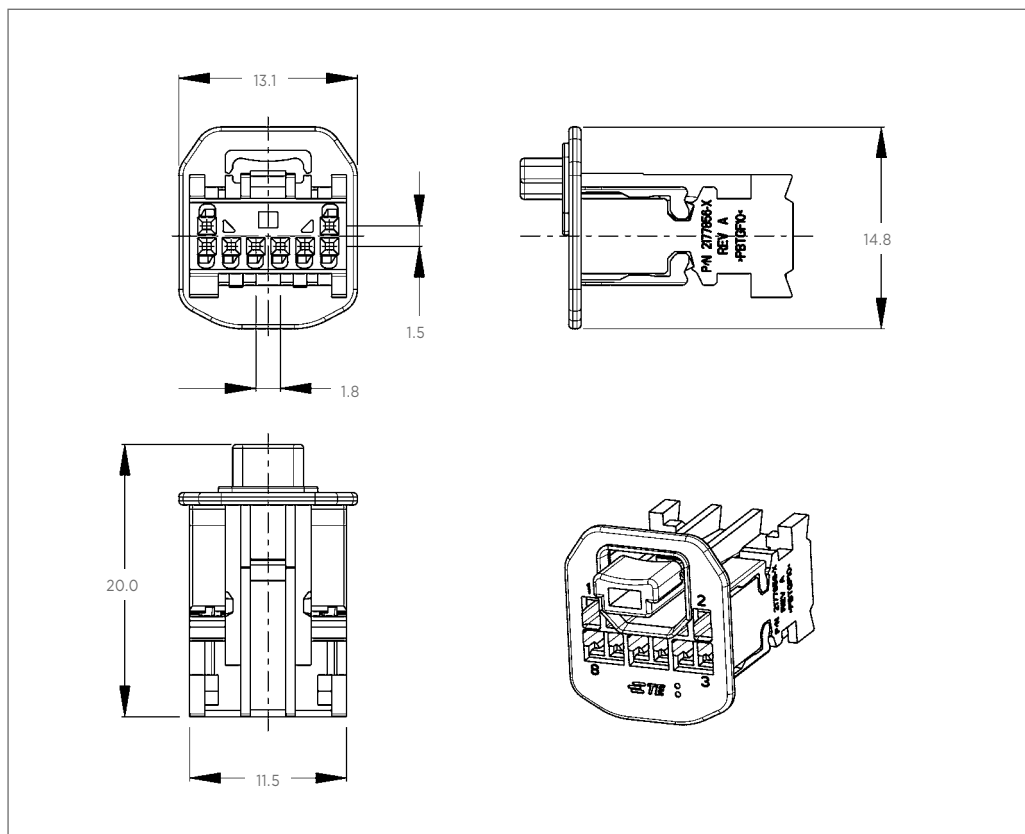


Miniaturization Top/Side Latch Unsealed

| | |
|--------------------------------------|---|
| Flexibility | 0.13 to 0.35 mm ² compatible wire sizes Flexible Flat Cables (FFC) / Flexible Printed Cables (FPC) compatibility |
| Automotive-robust Performance | SG2 vibration grade (unsealed applications) Automotive-standards conform Standard automotive interface |
| Wide Portfolio | Available in top- and side latch versions Available in 1- and 2-row versions Available with and without CPA versions Top-Latch: 8, 12, 20 and 32 positions Side-Latch: 2 up to 20 positions |



Receptacle Housings - 8 Positions



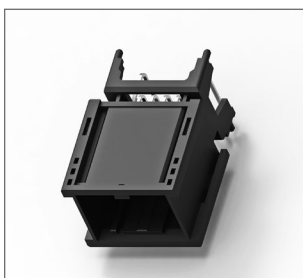
Technical Features

- No. of Positions:**
8 Positions
- Housing Material:**
PBT Glas fibre reinforced
- Wire Size Range:**
0.13 - 0.35 mm²
- Product Specification:**
108-20315
- Application Specification:**
114-94033
- Extraction Tool:**
1355968-1

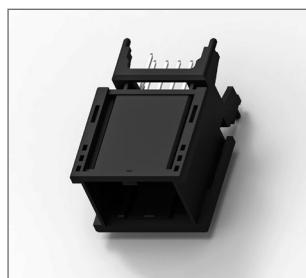
| Keying Options | Housing Color | Part Numbers | | | | | | | |
|----------------|---------------|---------------------------|-------|----------------|-----------------|--------------------|-----------------------------|-----------------------------|-------------------------------|
| | | Receptacle Housing | Cover | Locking Device | Cover and Lever | Mating Tab Housing | Mating PCB Headers | | Contacts |
| | | | | | | | Right Angle | Vertical | |
| Coding A | Black | 2177586-1 | | | | | 2177372-3 | 2177768-3 | |
| Coding B | Natural | 2177586-2 | | | | | 1-2177372-3 | 1-2177768-3 | x- 1703930 -x |
| Coding C | Gray | 2177586-3 * | N/A | N/A | N/A | N/A | 2-2177372-3 * | 2-2177768-3 * | |
| Coding D | Black | 2177586-4 * | | | | | 3-2177372-3 * | 3-2177768-3 * | |

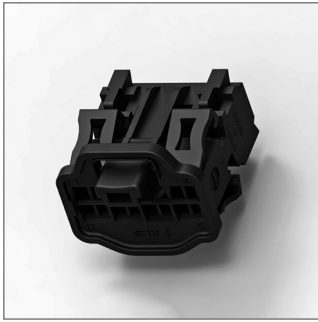
* on request

Mating Header Connector
Right Angle see page 80

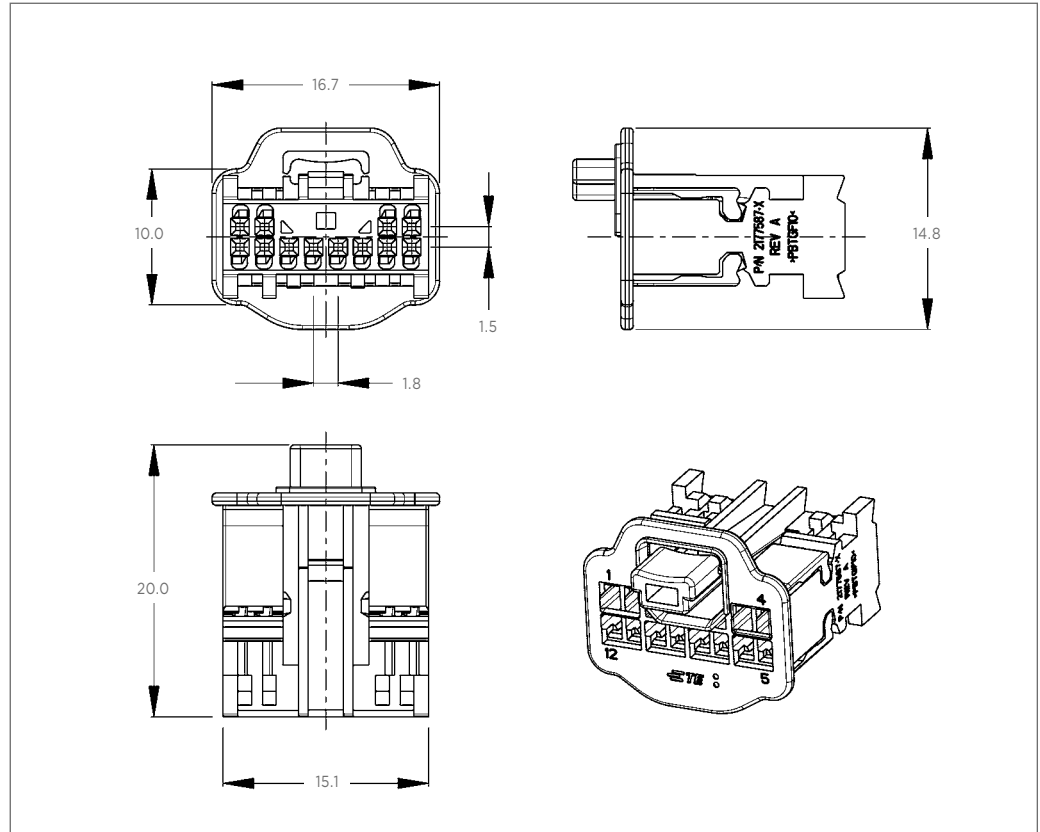


Mating Header Connector
Vertical see page 84





Receptacle Housings - 12 Positions



Technical Features

- No. of Positions:** 12 Positions
- Housing Material:** PBT Glas fibre reinforced
- Wire Size Range:** 0.13 - 0.35 mm²
- Product Specification:** 108-20315
- Application Specification:** 114-94033
- Extraction Tool:** 1355968-1

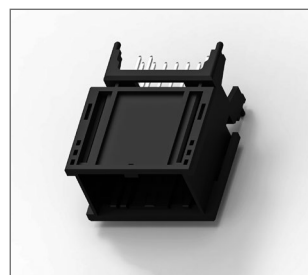
| Keying Options | Housing Color | Part Numbers | | | | | | | |
|----------------|---------------|---------------------------|-------|----------------|-----------------|--------------------|-----------------------------|-----------------------------|-------------------------------|
| | | Receptacle Housing | Cover | Locking Device | Cover and Lever | Mating Tab Housing | Mating PCB Headers | | Contacts |
| | | | | | | | Right Angle | Vertical | |
| Coding A | Black | 2177587-1 | | | | | 2177370-3 | 2177767-3 | |
| Coding B | Natural | 2177587-2 | | | | | 1-2177370-3 | 1-2177767-3 | |
| Coding C | Gray | 2177587-3 * | N/A | N/A | N/A | N/A | 2-2177370-3 * | 2-2177767-3 * | x- 1703930 -x |
| Coding D | Black | 2177587-4 * | | | | | 3-2177370-3 * | 3-2177767-3 * | |

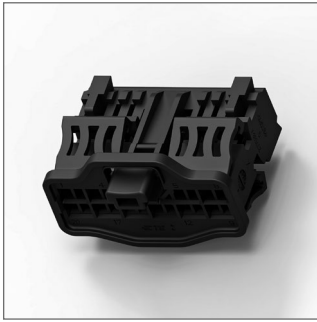
* on request

Mating Header Connector Right Angle see page 81

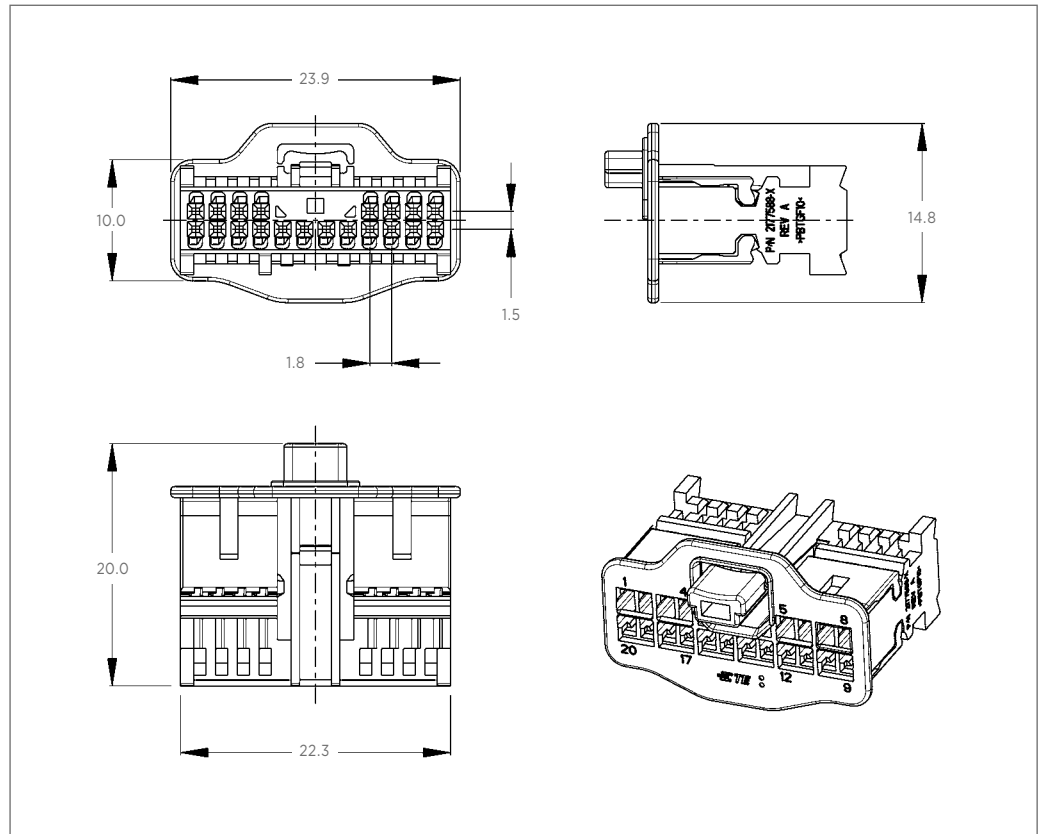


Mating Header Connector Vertical see page 85





Receptacle Housings - 20 Positions



Technical Features

- No. of Positions:**
20 Positions
- Housing Material:**
PBT Glas fibre reinforced
- Material and Finish:**
CuMg01, Sn over NiMating
- Product Specification:**
108-20315
- Application Specification:**
114-94033
- Extraction Tool:**
1355968-1

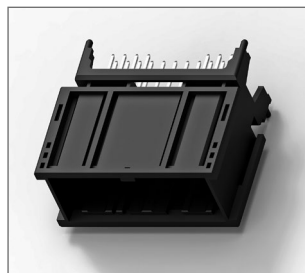
| Keying Options | Housing Color | Part Numbers | | | | | | | |
|----------------|---------------|-----------------------------|-------|----------------|-----------------|--------------------|-------------------------------|-------------------------------|-------------------------------|
| | | Receptacle Housing | Cover | Locking Device | Cover and Lever | Mating Tab Housing | Mating PCB Headers | | Contacts |
| | | | | | | | Right Angle | Vertical | |
| Coding A | Black | 2177588-1 | | | | | 2177367-3 | 2177766-3 | |
| Coding B | Natural | 2177588-2 | | | | | 1-2177367-3 | 1-2177766-3 | |
| Coding C | Gray | 2177588-3 * | N/A | N/A | N/A | N/A | 2-2177367-3 * | 2-2177766-3 * | x- 1703930 -x |
| Coding D | Black | 2177588-4 * | | | | | 3-2177367-3 * | 3-2177766-3 * | |

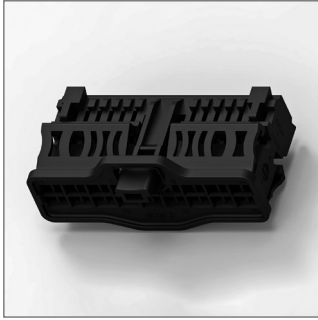
* on request

Mating Header Connector
Right Angle see page 82

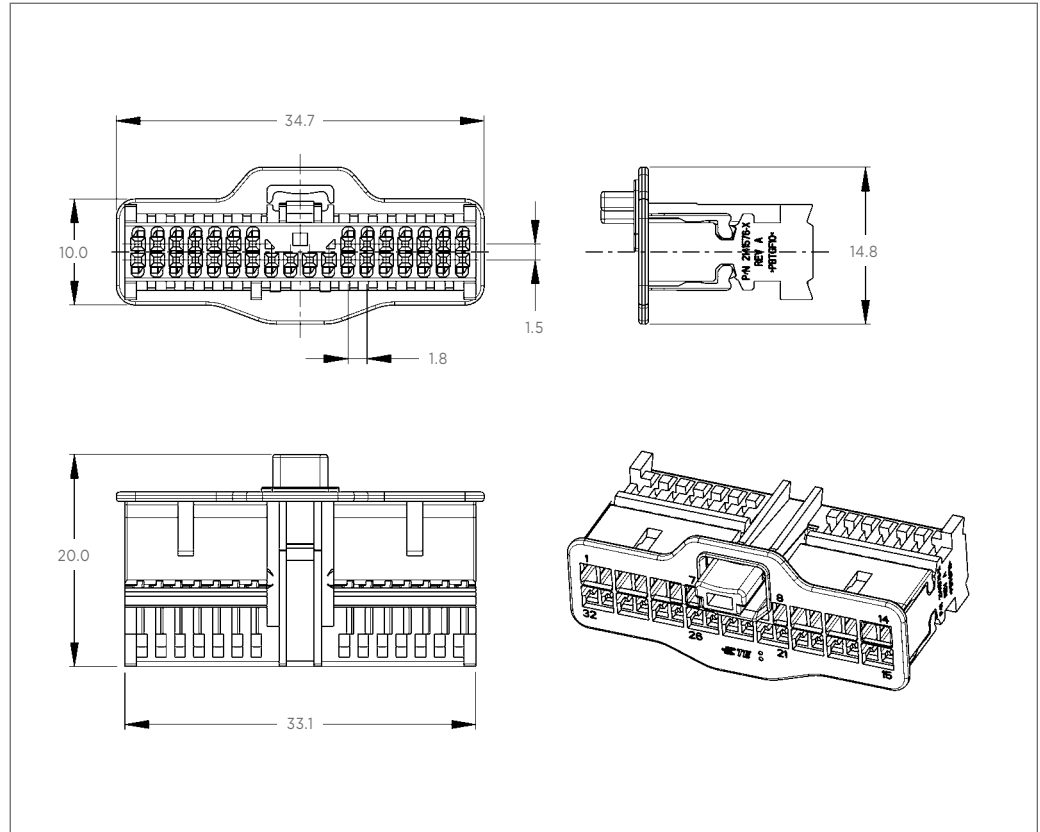


Mating Header Connector
Vertical see page 86





Receptacle Housings - 32 Positions



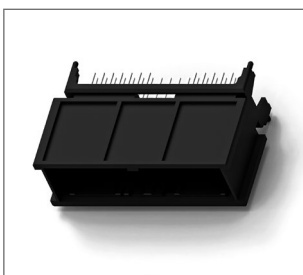
Technical Features

- No. of Positions:**
31 Positions
- Housing Material:**
PBT Glas fibre reinforced
- Wire Size Range:**
0.13 - 0.35 mm²
- Product Specification:**
108-20315
- Application Specification:**
114-94033
- Extraction Tool**
1355968-1

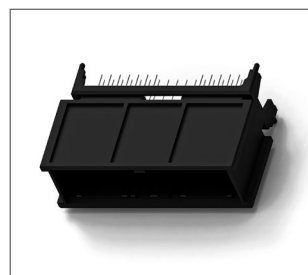
| Keying Options | Housing Color | Part Numbers | | | | | | | |
|----------------|---------------|---------------------------|-------|----------------|-----------------|--------------------|-----------------------------|-----------------------------|-------------------------------|
| | | Receptacle Housing | Cover | Locking Device | Cover and Lever | Mating Tab Housing | Mating PCB Headers | | Contacts |
| | | | | | | | Right Angle | Vertical | |
| Coding A | Black | 2141576-1 | | | | | 2177419-3 | 2177748-3 | |
| Coding B | Natural | 2141576-2 | N/A | N/A | N/A | N/A | 1-2177419-3 | 1-2177748-3 | x- 1703930 -x |
| Coding C | Gray | 2141576-3 | | | | | 2-2177419-3 | 2-2177748-3 | |
| Coding D | Black | 2141576-4 * | | | | | 3-2177419-3 * | 3-2177748-3 * | |

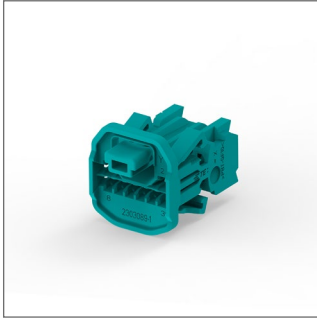
* on request

Mating Header Connector Right Angle see page 83



Mating Header Connector Vertical see page 87





Technical Features

No. of Positions:
8 Positions

Housing Material
PBT-GF10

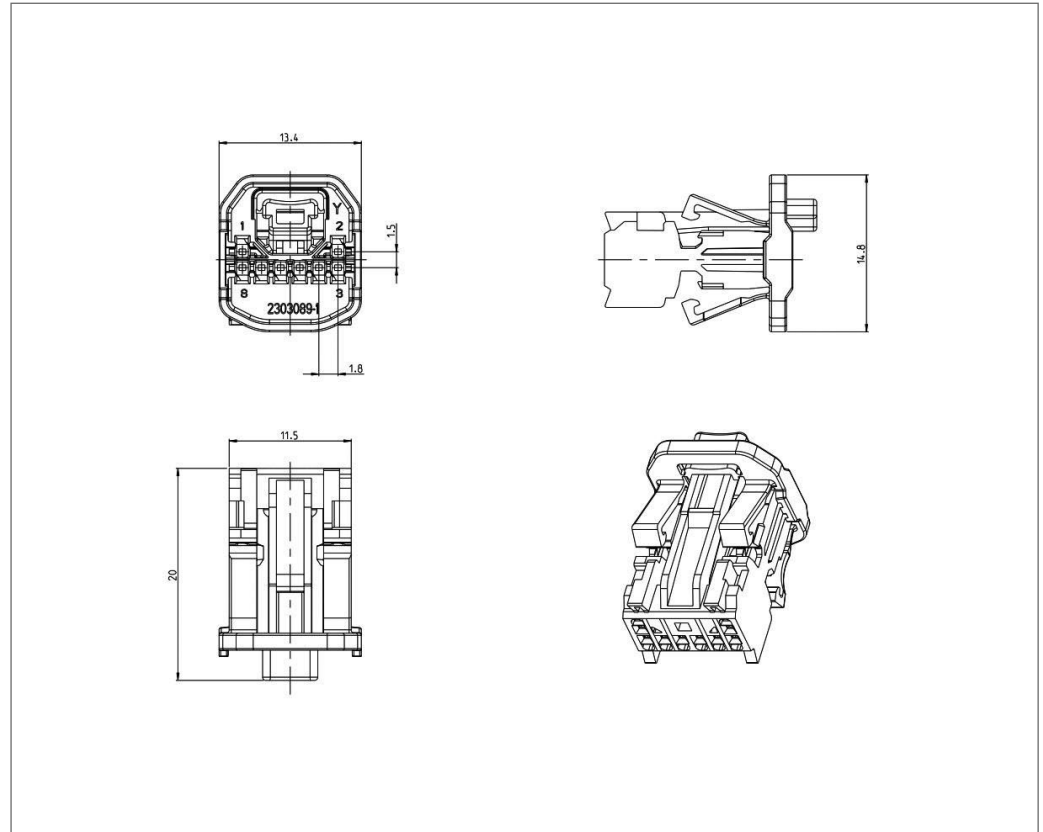
Wire Size Range:
Flexible Foils i.e. FFC or FPC;
for details, please see
Application Specification for
Terminal PN 1-2291853-1

Interface:
114-20160-40

Product Specification:
108-94541

Application Specification:
114-94437

Receptacle Housings - FFC/FPC - 2 Row Design - 8 Positions



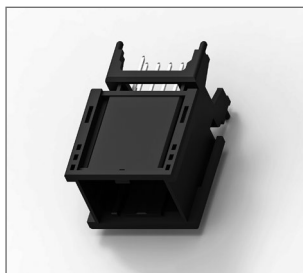
| Keying Options | Housing Color | Part Numbers | | | |
|----------------|---------------|---------------------------|-------------------------------|-------------------------------|-----------------------------|
| | | Receptacle Housing | Mating PCB Headers | | Contacts |
| | | | Right Angle | Vertical | |
| Coding Z | Water Blue | 2303089-1 | x- 2177372 -x | x- 2177768 -x | 1-2291853-1 |

* on request

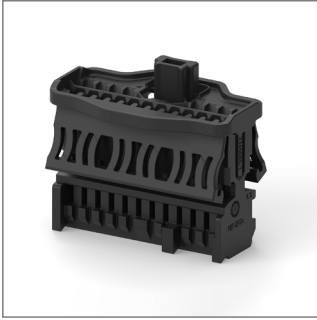
Mating PCB Header
Right Angle see page 80



Mating PCB Header
Vertical Angle see page 84

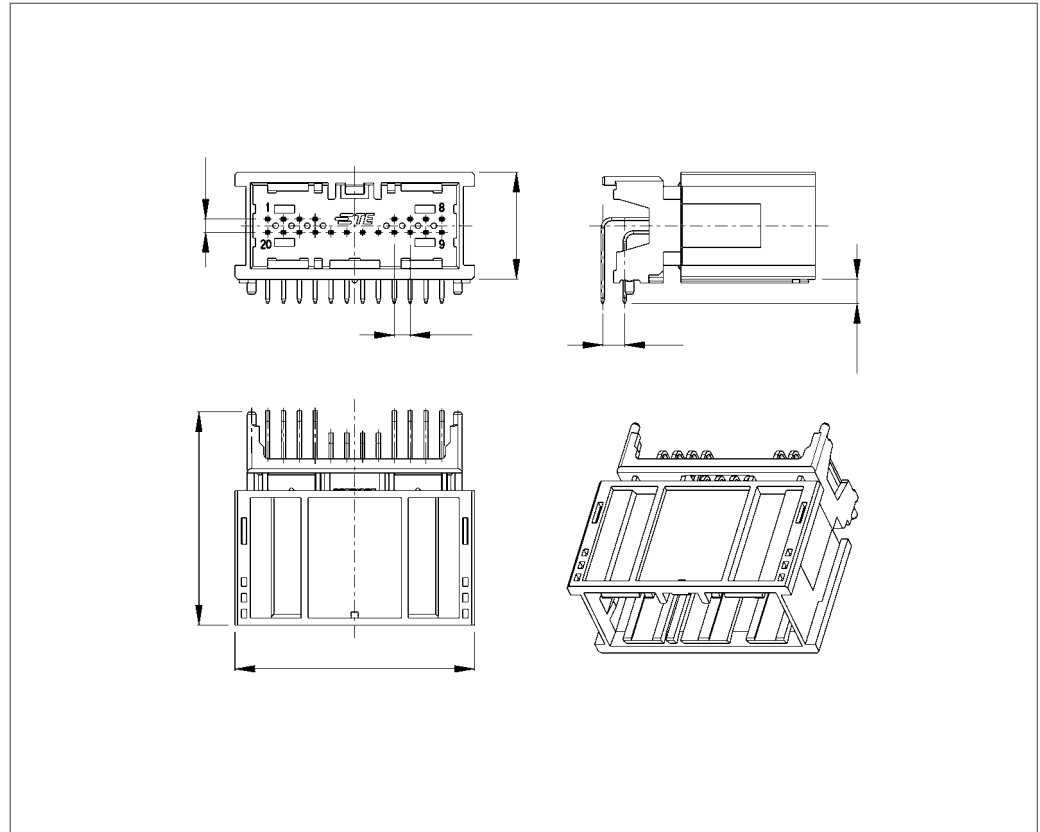


Receptacle Housings - FFC/FPC - 2 Row Design - 20 Positions



Technical Features

- No. of Positions:**
20 Positions
- Housing Material**
PBT-GF10
- Wire Size Range:**
Flexible Foils i.e. FFC or FPC;
for details, please see
Application Specification for
Terminal PN 1-2291853-1
- Interface:**
114-20160-40
- Product Specification:**
108-94541
- Application Specification:**
114-94437



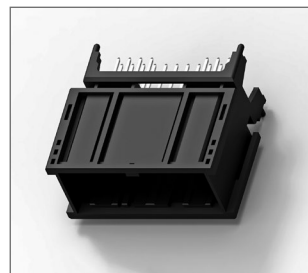
| Keying Options | Housing Color | Part Numbers | | | |
|----------------|---------------|---------------------------|-------------------------------|-------------------------------|-----------------------------|
| | | Receptacle Housing | Mating PCB Headers | | Contacts |
| | | | Right Angle | Vertical | |
| Coding A | Black | 2365086-1 | x- 2177367 -x | x- 2177766 -x | 1-2291853-1 |

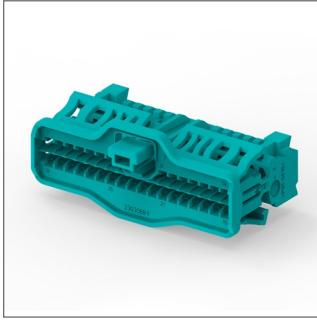
* on request

Mating PCB Header
Right Angle see page 82



Mating PCB Header
Vertical Angle see page 86

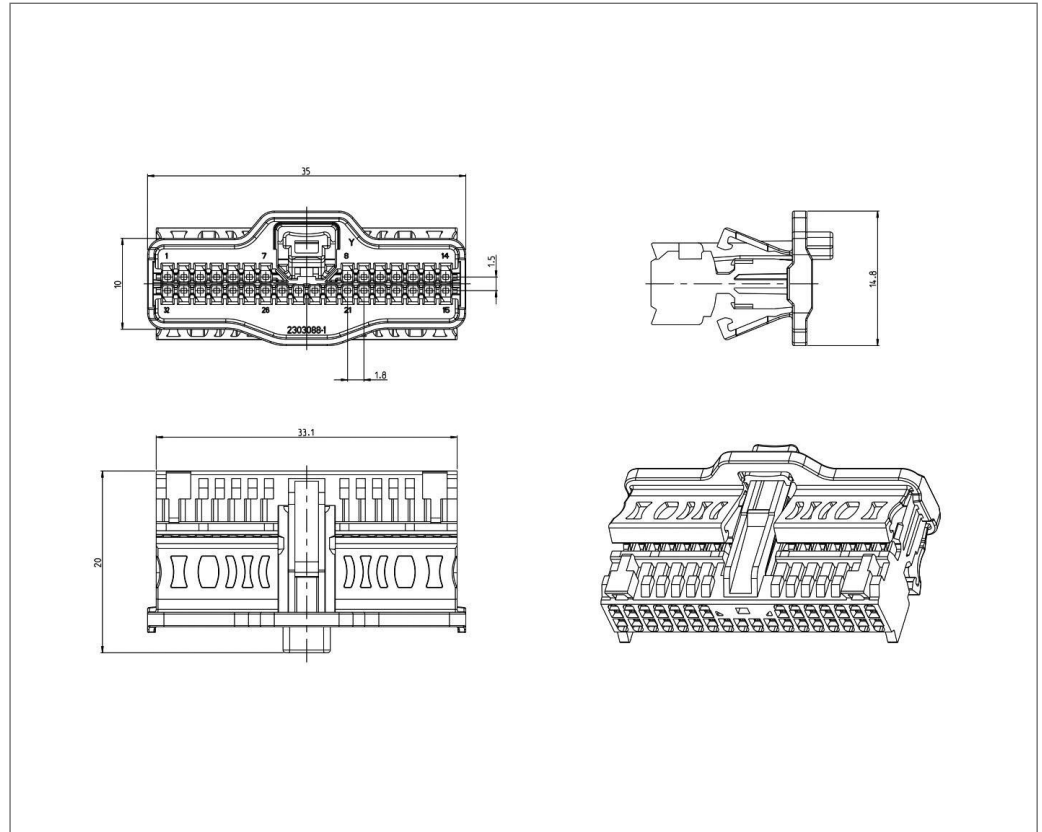




Technical Features

- No. of Positions:**
32 Positions
- Housing Material**
PBT-GF10
- Wire Size Range:**
Flexible Foils i.e. FFC or FPC; for details, please see Application Specification for Terminal PN 1-2291853-1
- Interface:**
114-20160-150
- Product Specification:**
108-94541
- Application Specification:**
114-94437

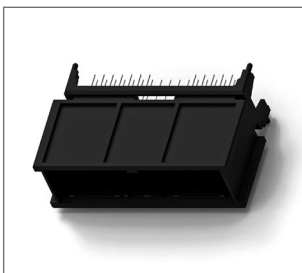
Receptacle Housings - FFC/FPC - 2 Row Design - 32 Positions



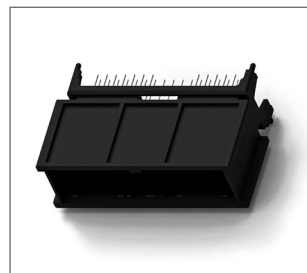
| Keying Options | Housing Color | Part Numbers | | | |
|----------------|---------------|---------------------------|---------------------------------|---------------------------------|-----------------------------|
| | | Receptacle Housing | Mating PCB Headers | | Contacts |
| | | | Right Angle | Vertical | |
| Coding A | Black | 2303088-2 | 4- 2177419-3 | 4- 2177748-3 | |
| Coding B | Natural | 2303088-3 | 1-/5- 2177419-3 | 1-/5- 2177748-3 | 1-2291853-1 |
| Coding Z | Water Blue | 2303088-1 | x- 2177367-x | x- 2177766-x | |

* on request

Mating PCB Header
Right Angle see page 83

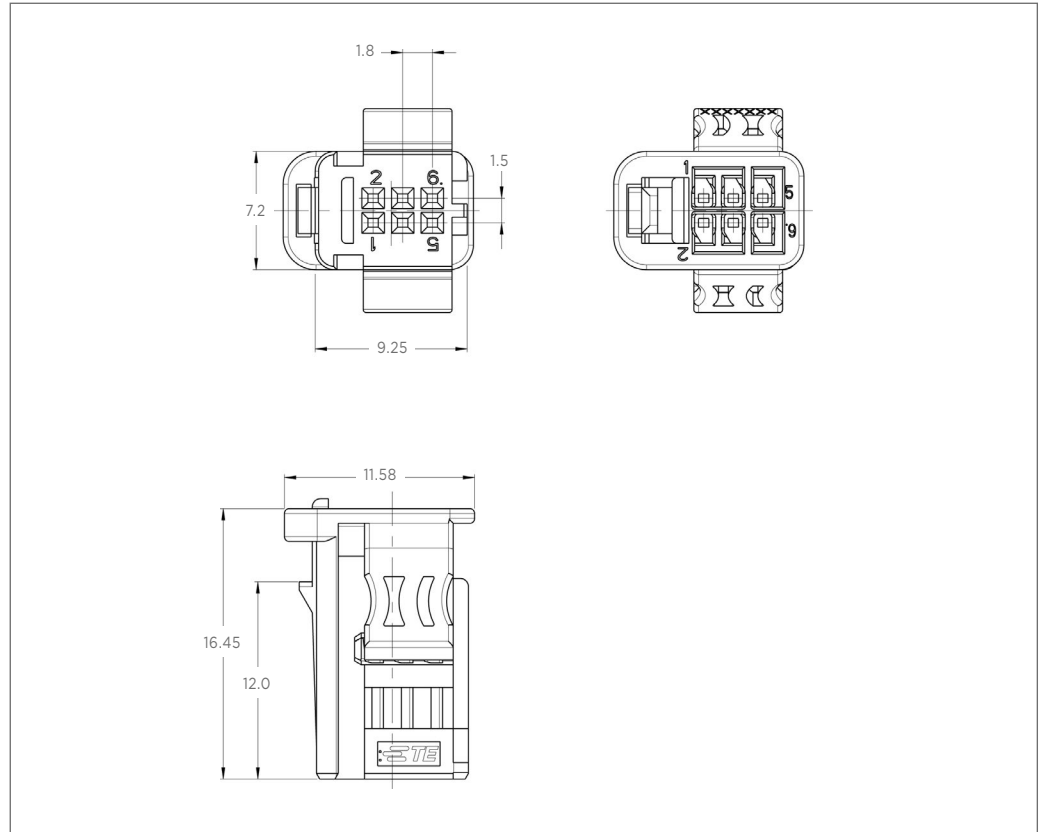


Mating PCB Header
Vertical Angle see page 87





Receptacle Housings - 2 Row Design - 6 Positions



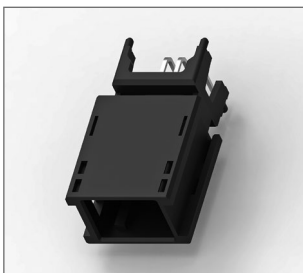
Technical Features

- No. of Positions:** 6 Positions
- Housing Material:** PBT Glas fibre reinforced
- Wire Size Range:** 0.13 - 0.35 mm²
- Product Specification:** 108-94288
- Application Specification:** 114-94033
- Extraction Tool:** 1355968-1

| Keying Options | Housing Color | Part Numbers | | | | | | | |
|----------------|---------------|---------------------------|-------|----------------|-----------------|--------------------|---------------------------|----------|-------------------------------|
| | | Receptacle Housing | Cover | Locking Device | Cover and Lever | Mating Tab Housing | Mating PCB Headers | | Contacts |
| | | | | | | | Right Angle | Vertical | |
| Coding A | Black | 2208338-1 | | | | | 2208636-1 | | |
| Coding B | Natural | 2208338-2 | | | | | 2208636-2 * | | |
| Coding C | Blue | 2208338-3 * | N/A | N/A | N/A | N/A | 2208636-3 * | TBD | x- 1703930 -x |
| Coding D | Violet | 2208338-4 * | | | | | 2208636-4 * | | |
| Coding Z | Water Blue | 2208338-9 | | | | | all codings | | |

* on request

Mating Header see page 88





Technical Features

No. of Positions:

6 Positions

Housing Material:

PBT Glas fibre reinforced

Wire Size Range:
0.13 - 0.35 mm²
Product Specification:

108-94288

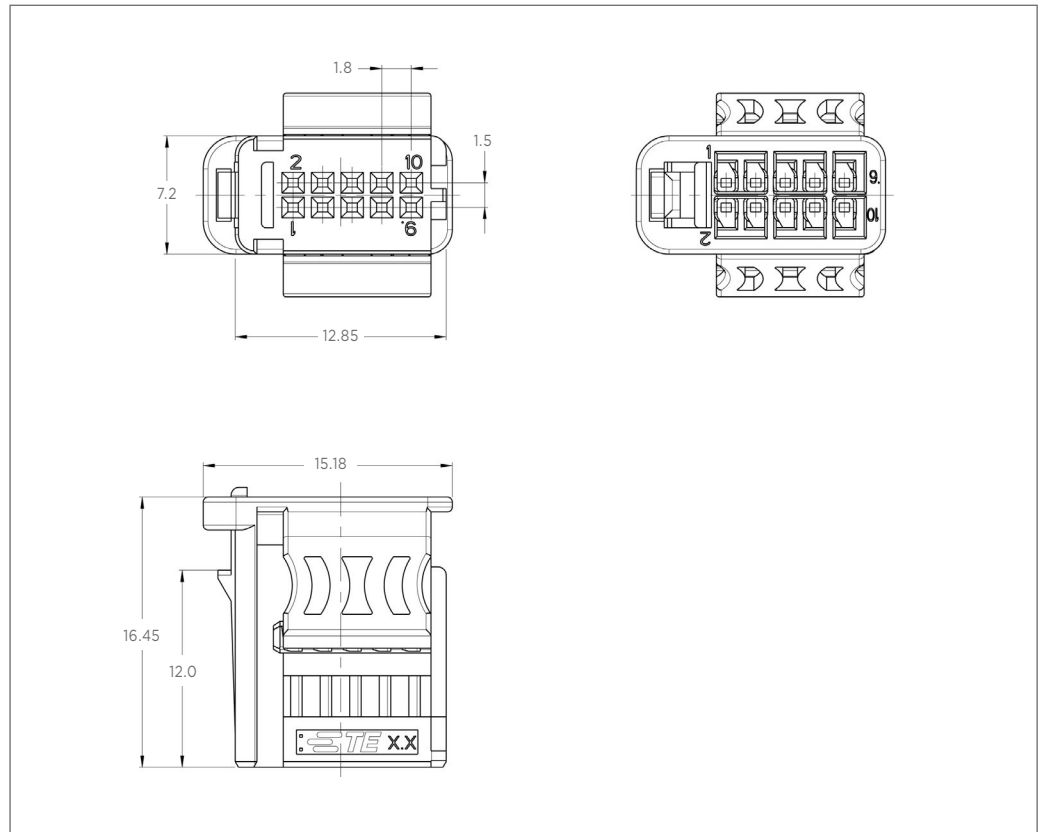
Application Specification:

114-94033

Extraction Tool

1355968-1

Receptacle Housings - 2 Row Design - 10 Positions



| Keying Options | Housing Color | Part Numbers | | | | | | | |
|----------------|---------------|---------------------------|-------|----------------|-----------------|--------------------|--------------------|----------|------------------------------|
| | | Receptacle Housing | Cover | Locking Device | Cover and Lever | Mating Tab Housing | Mating PCB Headers | | Contacts |
| | | | | | | | Right Angle | Vertical | |
| Coding A | Black | 2208339-1 | | | | | | | |
| Coding B | Natural | 2208339-2 | | | | | | | |
| Coding C | Blue | 2208339-3 * | N/A | N/A | N/A | N/A | TBD | TBD | x- 1703930-x |
| Coding D | Violet | 2208339-4 * | | | | | | | |
| Coding Z | Water Blue | 2208339-9 | | | | | all codings | | |

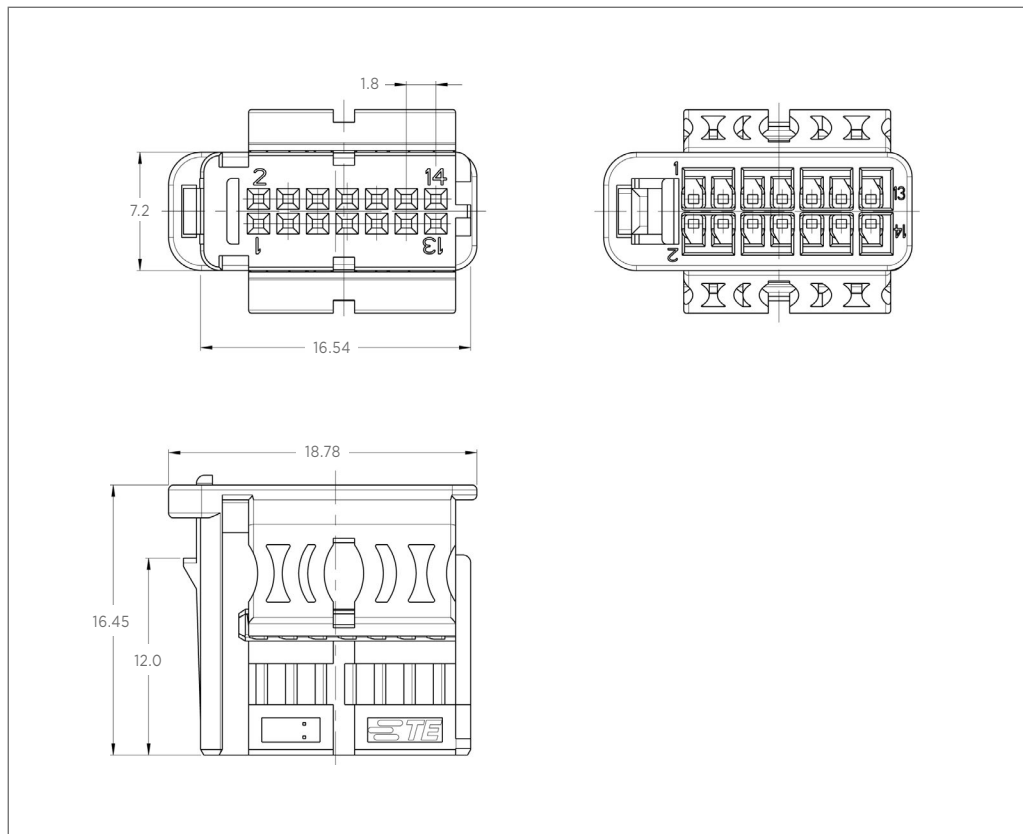
* on request

Receptacle Housings - 2 Row Design - 14 Positions



Technical Features

- No. of Positions:**
6 Positions
- Housing Material:**
PBT Glas fibre reinforced
- Wire Size Range:**
0.13 - 0.35 mm²
- Product Specification:**
108-94288
- Application Specification:**
114-94033
- Extraction Tool**
1355968-1



| Keying Options | Housing Color | Part Numbers | | | | | | | |
|----------------|---------------|---------------------------|-------|----------------|-----------------|--------------------|--------------------|----------|-------------------------------|
| | | Receptacle Housing | Cover | Locking Device | Cover and Lever | Mating Tab Housing | Mating PCB Headers | | Contacts |
| | | | | | | | Right Angle | Vertical | |
| Coding A | Black | 2208340-1 | | | | | | | |
| Coding B | Natural | 2208340-2 | | | | | | | |
| Coding C | Blue | 2208340-3 * | N/A | N/A | N/A | N/A | TBD | TBD | x- 1703930 -x |
| Coding D | Violet | 2208340-4 * | | | | | | | |
| Coding Z | Water Blue | 2208340-9 | | | | | all codings | | |

* on request



Technical Features

No. of Positions:

20 Positions

Housing Material:

PBT Glas fibre reinforced

Wire Size Range:
0.13 - 0.35 mm²
Product Specification:

108-94288

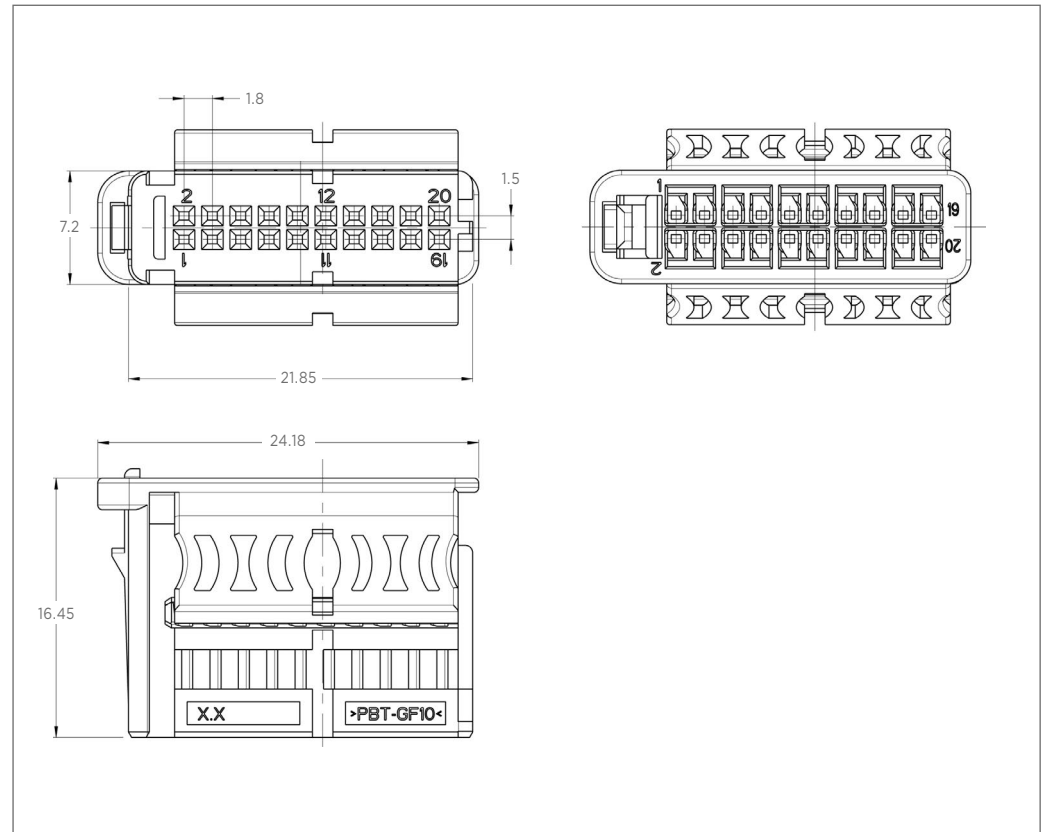
Application Specification:

114-94033

Extraction Tool:

1355968-1

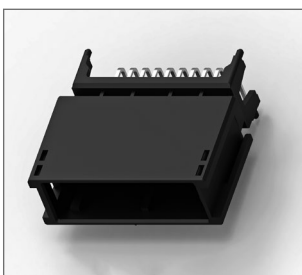
Receptacle Housings - 2 Row Design - 20 Positions



| Keying Options | Housing Color | Part Numbers | | | | | | | |
|----------------|---------------|---------------------------|-------|----------------|-----------------|--------------------|---------------------------|----------|------------------------------|
| | | Receptacle Housing | Cover | Locking Device | Cover and Lever | Mating Tab Housing | Mating PCB Headers | | Contacts |
| | | | | | | | Right Angle | Vertical | |
| Coding A | Black | 2141404-1 | | | | | 2208165-1 | | |
| Coding B | Natural | 2141404-2 | | | | | 2208165-2 | | |
| Coding C | Blue | 2141404-3 * | N/A | N/A | N/A | N/A | 2208165-3 * | TBD | x- 1703930-x |
| Coding D | Violet | 2141404-4 * | | | | | 2208165-4 * | | |
| Coding Z | Water Blue | 2141404-9 | | | | | all codings | | |

* on request

Mating Header see page 27



Receptacle Housings - 1 Row Design - 2 Positions



Technical Features

No. of Positions:
2 Positions

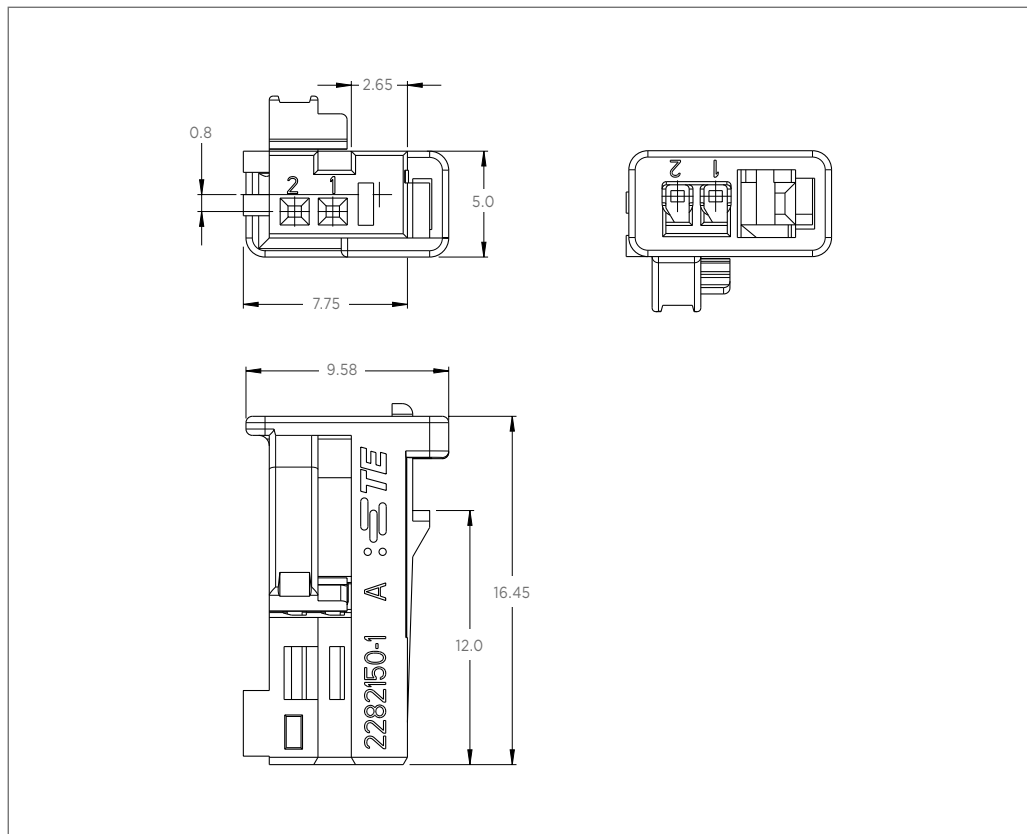
Housing Material:
PBT Glas fibre reinforced

Wire Size Range:
0.13 - 0.35 mm²

Product Specification:
108-94288

Application Specification:
114-94033

Extraction Tool
1355968-1

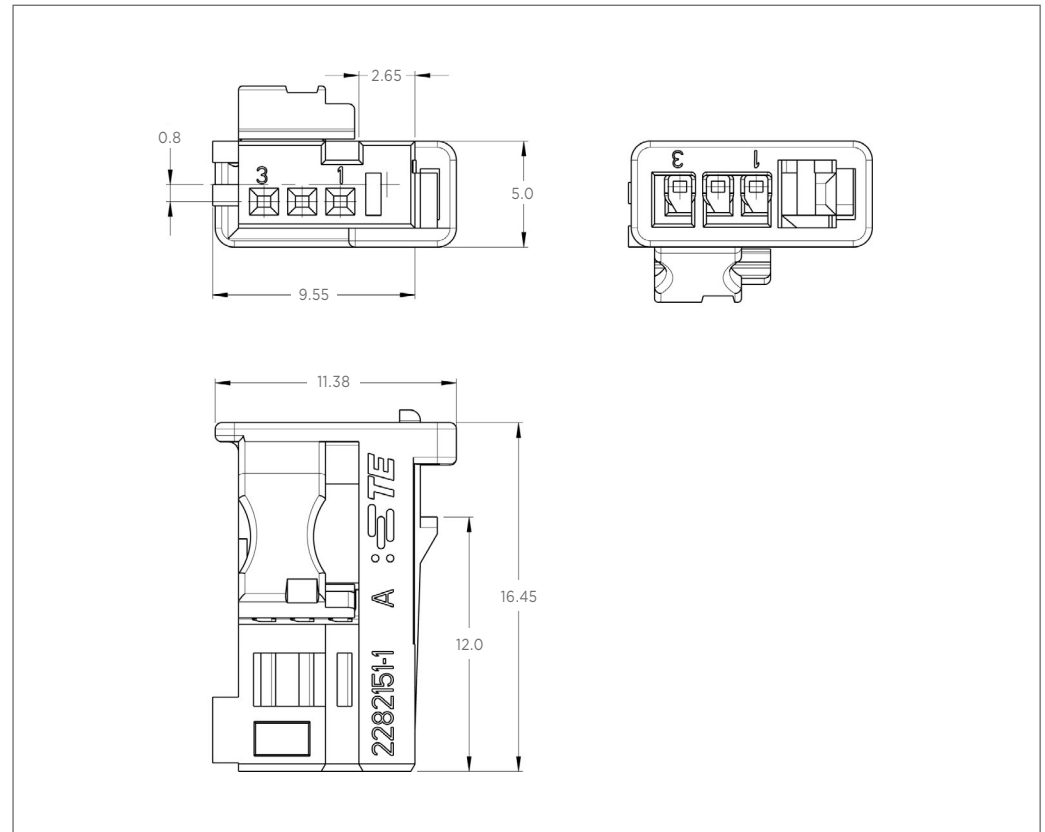


| Keying Options | Housing Color | Part Numbers | | | | | | | |
|----------------|---------------|---------------------------|-------|----------------|-----------------|--------------------|--------------------|------------|-------------------------------|
| | | Receptacle Housing | Cover | Locking Device | Cover and Lever | Mating Tab Housing | Mating PCB Headers | | Contacts |
| | | | | | | | Right Angle | Vertical | |
| Coding A | Black | 2282150-1 | | | | | 2315401-1* | 2314389-1* | |
| Coding B | Natural | 2282150-2 | | | | | 2315401-2* | 2314389-2* | |
| Coding C | Blue | 2282150-3 * | N/A | N/A | N/A | TBD | 2315401-3* | 2314389-3* | x- 1703930 -x |
| Coding D | Violet | 2282150-4 * | | | | | 2315401-4* | 2314389-4* | |
| Coding Z | Water Blue | 2282150-9 | | | | | all codings | | |

* on request



Receptacle Housings - 1 Row Design - 3 Positions



Technical Features

No. of Positions:

3 Positions

Housing Material:

PBT Glas fibre reinforced

Wire Size Range:
0.13 - 0.35 mm²
Product Specification:

108-94288

Application Specification:

114-94033

Extraction Tool

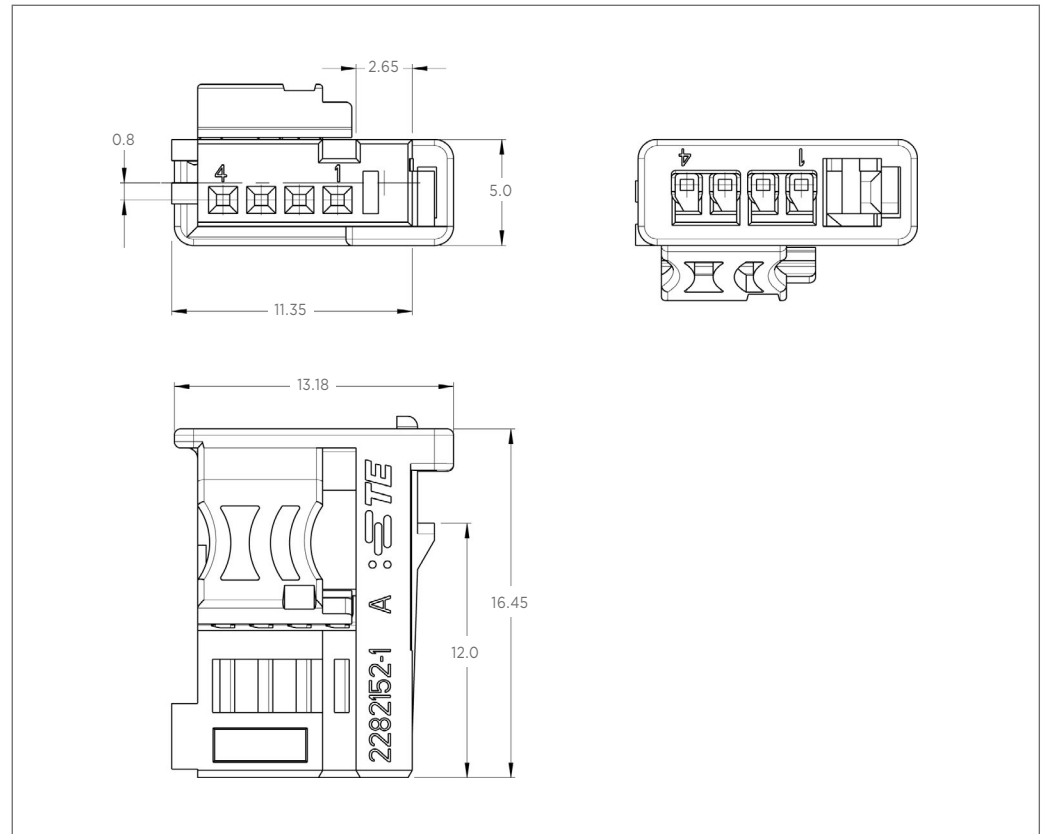
1355968-1

| Keying Options | Housing Color | Part Numbers | | | | | | | Contacts |
|----------------|---------------|---------------------------|-------|----------------|-----------------|--------------------|--------------------|------------|-------------------------------|
| | | Receptacle Housing | Cover | Locking Device | Cover and Lever | Mating Tab Housing | Mating PCB Headers | | |
| | | | | | | | Right Angle | Vertical | |
| Coding A | Black | 2282151-1 | | | | | 2315403-1* | 2314501-1* | |
| Coding B | Natural | 2282151-2 | | | | | 2315403-2* | 2314501-2* | |
| Coding C | Blue | 2282151-3 * | N/A | N/A | N/A | TBD | 2315403-3* | 2314501-3* | x- 1703930 -x |
| Coding D | Violet | 2282151-4 * | | | | | 2315403-4* | 2314501-4* | |
| Coding Z | Water Blue | 2282151-9 | | | | | all codings | | |

* on request



Receptacle Housings - 1 Row Design - 4 Positions



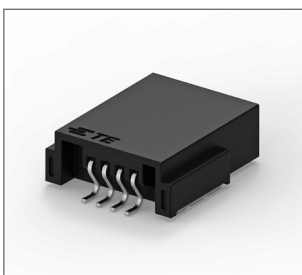
Technical Features

- No. of Positions:**
4 Positions
- Housing Material:**
PBT Glas fibre reinforced
- Wire Size Range:**
0.13 - 0.35 mm²
- Product Specification:**
108-94288
- Application Specification:**
114-94033
- Extraction Tool:**
1355968-1

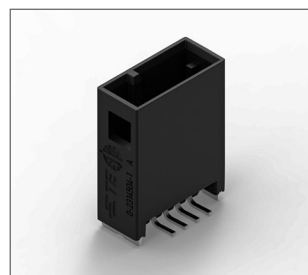
| Keying Options | Housing Color | Part Numbers | | | | | | | |
|----------------|---------------|---------------------------|-------|----------------|-----------------|--------------------|---------------------------|---------------------------|-------------------------------|
| | | Receptacle Housing | Cover | Locking Device | Cover and Lever | Mating Tab Housing | Mating PCB Headers | | Contacts |
| | | | | | | | Right Angle | Vertical | |
| Coding A | Black | 2282152-1 | | | | | 2315405-1 | 2314503-1 | |
| Coding B | Natural | 2282152-2 | | | | | 2315405-2 | 2314503-2 | |
| Coding C | Blue | 2282152-3 * | N/A | N/A | N/A | TBD | 2315405-3* | 2314503-3* | x- 1703930 -x |
| Coding D | Violet | 2282152-4 * | | | | | 2315405-4* | 2314503-4* | |
| Coding Z | Water Blue | 2282152-9 | | | | | all codings | | |

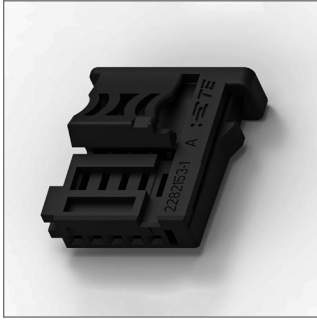
* on request

Mating PCB Header Right Angle see page 92

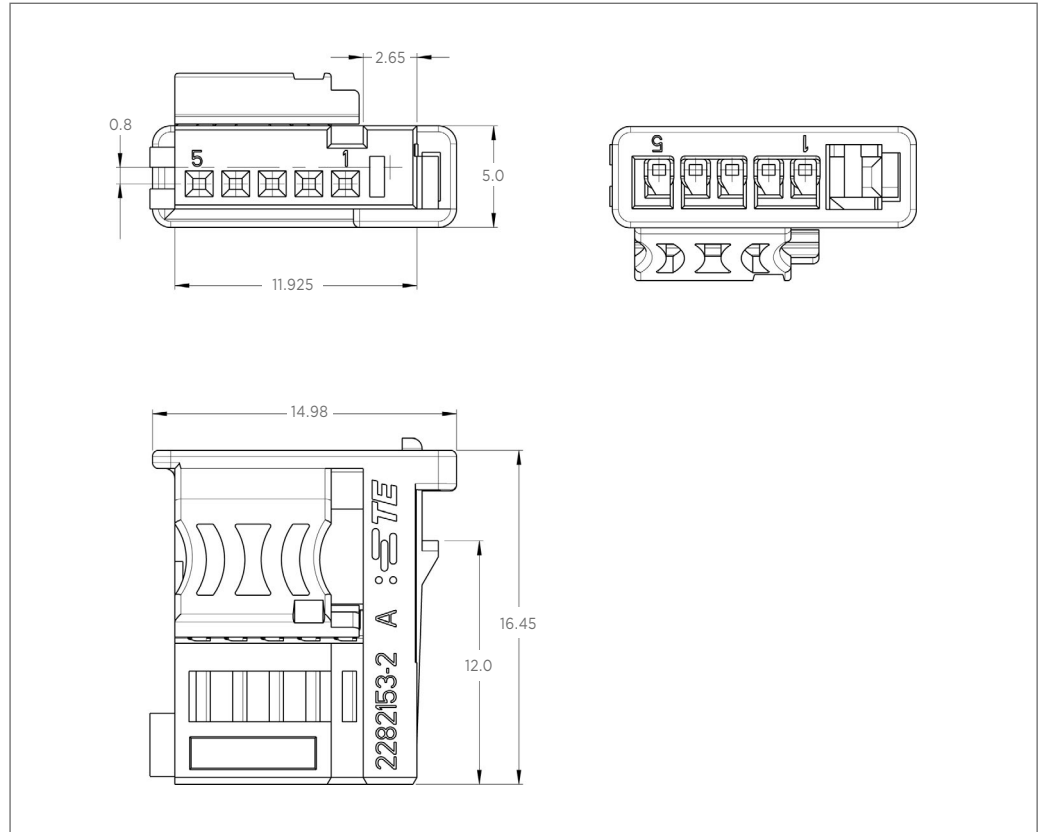


Mating PCB Header Vertical Angle see page 98





Receptacle Housings - 1 Row Design - 5 Positions



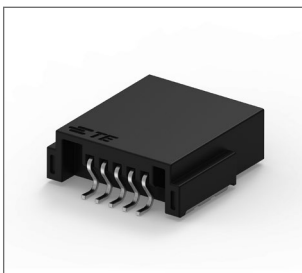
Technical Features

- No. of Positions:**
5 Positions
- Housing Material:**
PBT Glas fibre reinforced
- Wire Size Range:**
0.13 - 0.35 mm²
- Product Specification:**
108-94288
- Application Specification:**
114-94033
- Extraction Tool:**
1355968-1

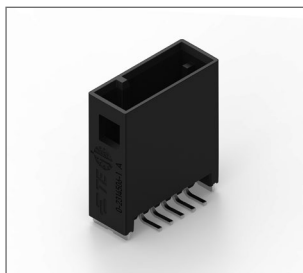
| Keying Options | Housing Color | Part Numbers | | | | | | | |
|----------------|---------------|---------------------------|-------|----------------|-----------------|--------------------|---------------------------|---------------------------|------------------------------|
| | | Receptacle Housing | Cover | Locking Device | Cover and Lever | Mating Tab Housing | Mating PCB Headers | | Contacts |
| | | | | | | | Right Angle | Vertical | |
| Coding A | Black | 2282153-1 | | | | | 2315407-1 | 2314505-1 | |
| Coding B | Natural | 2282153-2 | | | | | 2315407-2 | 2314505-2 | |
| Coding C | Blue | 2282153-3 * | N/A | N/A | N/A | TBD | 2315407-3 * | 2314505-3 | x- 1703930-x |
| Coding D | Violet | 2282153-4 * | | | | | 2315407-4 * | 2314505-4 * | |
| Coding Z | Water Blue | 2282153-9 | | | | | all codings | | |

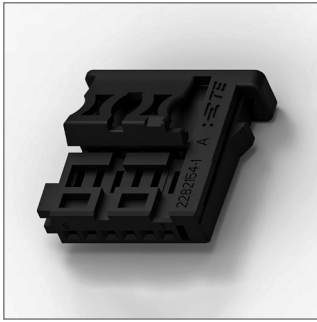
* on request

Mating PCB Header
Right Angle see page 93

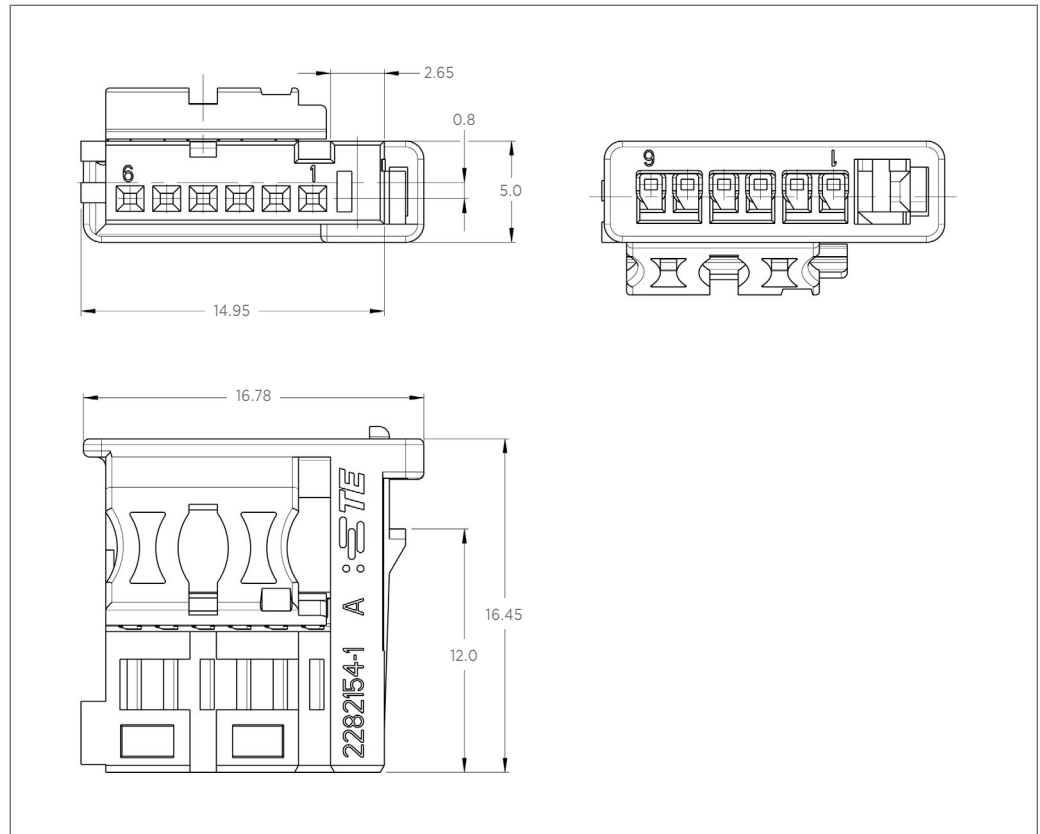


Mating PCB Header
Vertical Angle see page 99





Receptacle Housings - 1 Row Design - 6 Positions



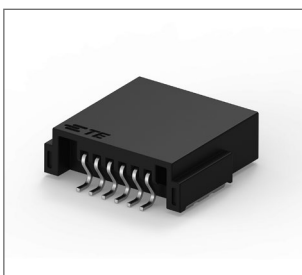
Technical Features

- No. of Positions:** 6 Positions
- Housing Material:** PBT Glas fibre reinforced
- Wire Size Range:** 0.13 - 0.35 mm²
- Product Specification:** 108-94288
- Application Specification:** 114-94033
- Extraction Tool:** 1355968-1

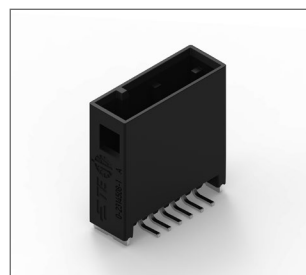
| Keying Options | Housing Color | Part Numbers | | | | | | | |
|----------------|---------------|---------------------------|-------|----------------|-----------------|--------------------|---------------------------|---------------------------|-------------------------------|
| | | Receptacle Housing | Cover | Locking Device | Cover and Lever | Mating Tab Housing | Mating PCB Headers | | Contacts |
| | | | | | | | Right Angle | Vertical | |
| Coding A | Black | 2282154-1 | | | | | 2311714-1 | 2314507-1 | |
| Coding B | Natural | 2282154-2 | | | | | 2311714-2 | 2314507-2 | |
| Coding C | Blue | 2282154-3 * | N/A | N/A | N/A | TBD | 2311714-3 * | 2314507-3 * | x- 1703930 -x |
| Coding D | Violet | 2282154-4 * | | | | | 2311714-4 * | 2314507-4 * | |
| Coding Z | Water Blue | 2282154-9 | | | | | all codings | | |

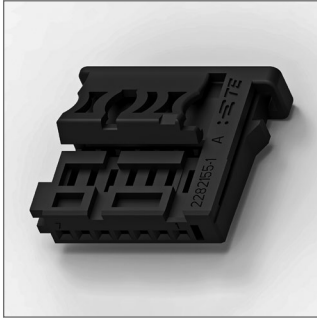
* on request

Mating PCB Header Right Angle see page 94

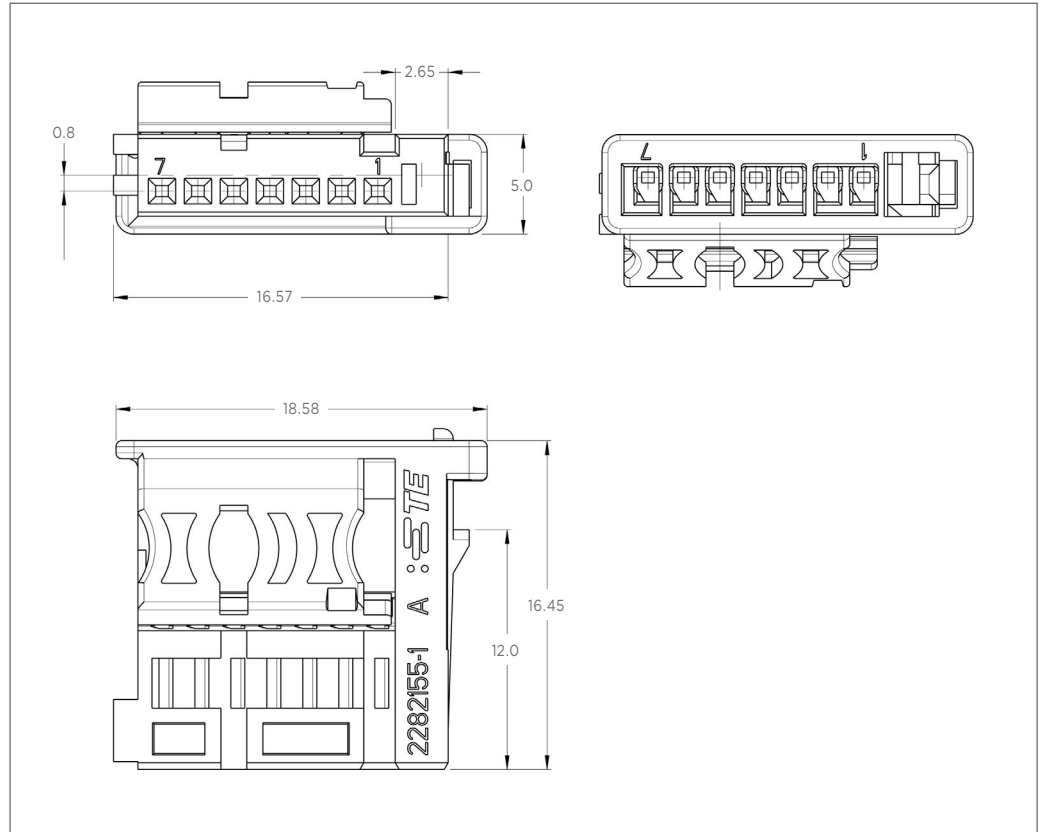


Mating PCB Header Vertical Angle see page 100





Receptacle Housings - 1 Row Design - 7 Positions



Technical Features

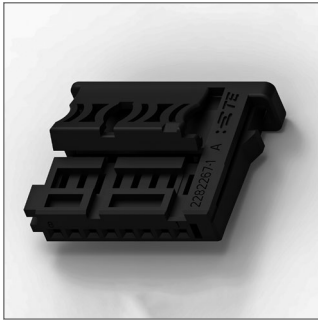
- No. of Positions:**
7 Positions
- Housing Material:**
PBT Glas fibre reinforced
- Wire Size Range:**
0.13 - 0.35 mm²
- Product Specification:**
108-94288
- Application Specification:**
114-94033
- Extraction Tool:**
1355968-1

| Keying Options | Housing Color | Part Numbers | | | | | | | |
|----------------|---------------|---------------------------|-------|----------------|-----------------|--------------------|---------------------------|------------|-------------------------------|
| | | Receptacle Housing | Cover | Locking Device | Cover and Lever | Mating Tab Housing | Mating PCB Headers | | Contacts |
| | | | | | | | Right Angle | Vertical | |
| Coding A | Black | 2282155-1 | | | | | 2315409-1 | 2314509-1* | |
| Coding B | Natural | 2282155-2 | | | | | 2315409-2 | 2314509-2* | |
| Coding C | Blue | 2282155-3 * | N/A | N/A | N/A | TBD | 2315409-3* | 2314509-3* | x- 1703930 -x |
| Coding D | Violet | 2282155-4 * | | | | | 2315409-4* | 2314509-4* | |
| Coding Z | Water Blue | 2282155-9 | | | | | all codings | | |

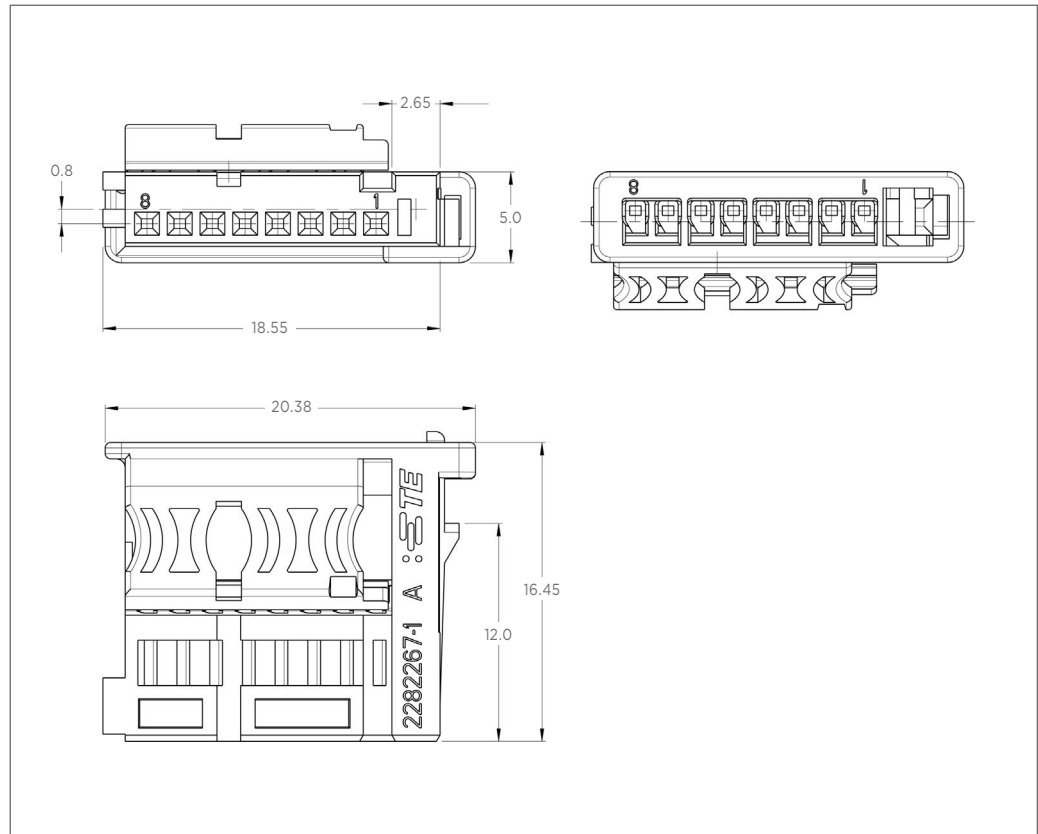
* on request

Mating PCB Header
Right Angle see page 95





Receptacle Housings - 1 Row Design - 8 Positions



Technical Features

- No. of Positions:** 8 Positions
- Housing Material:** PBT Glas fibre reinforced
- Wire Size Range:** 0.13 - 0.35 mm²
- Product Specification:** 108-94288
- Application Specification:** 114-94033
- Extraction Tool:** 1355968-1

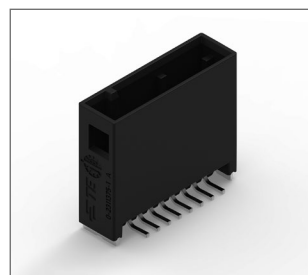
| Keying Options | Housing Color | Part Numbers | | | | | | | |
|----------------|---------------|-----------------------------|-------|----------------|-----------------|--------------------|-----------------------------|-----------------------------|-------------------------------|
| | | Receptacle Housing | Cover | Locking Device | Cover and Lever | Mating Tab Housing | Mating PCB Headers | | Contacts |
| | | | | | | | Right Angle | Vertical | |
| Coding A | Black | 2282267-1 | | | | | 2315411-1 | 2311396-1 | |
| Coding B | Natural | 2282267-2 | | | | | 2315411-2 | 2311396-2 | |
| Coding C | Blue | 2282267-3 * | N/A | N/A | N/A | TBD | 2315411-3 * | 2311396-3 | x- 1703930 -x |
| Coding D | Violet | 2282267-4 * | | | | | 2315411-4 * | 2314509-4 * | |
| Coding Z | Water Blue | 2282267-9 | | | | | all codings | | |

* on request

Mating PCB Header Right Angle see page 96

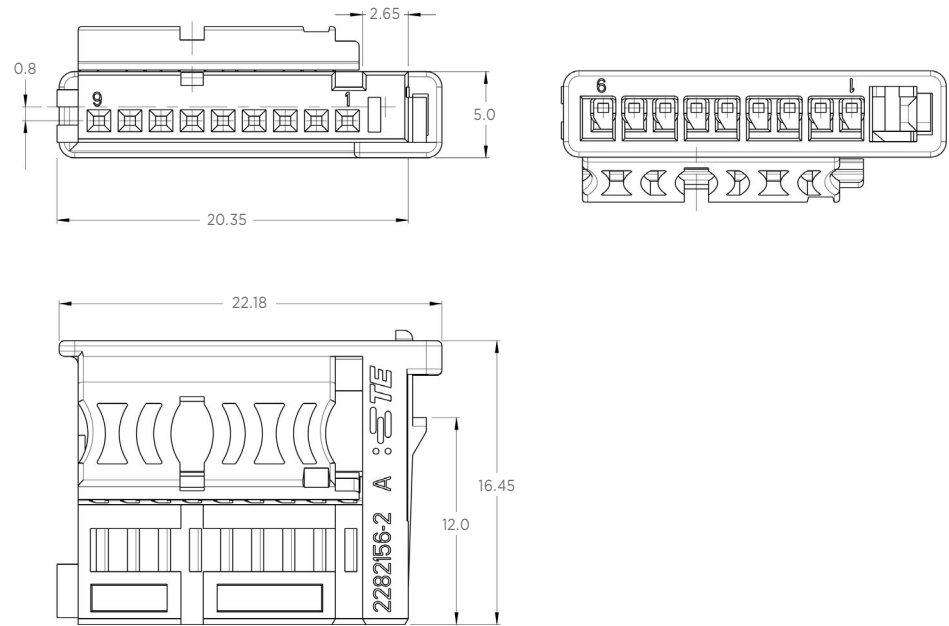


Mating PCB Header Vertical Angle see page 101





Receptacle Housings - 1 Row Design - 9 Positions



Technical Features

No. of Positions:

9 Positions

Housing Material:

PBT Glas fibre reinforced

Wire Size Range:
0.13 - 0.35 mm²
Product Specification:

108-94288

Application Specification:

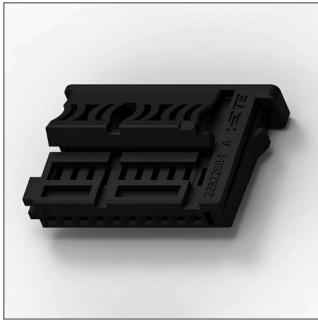
114-94033

Extraction Tool:

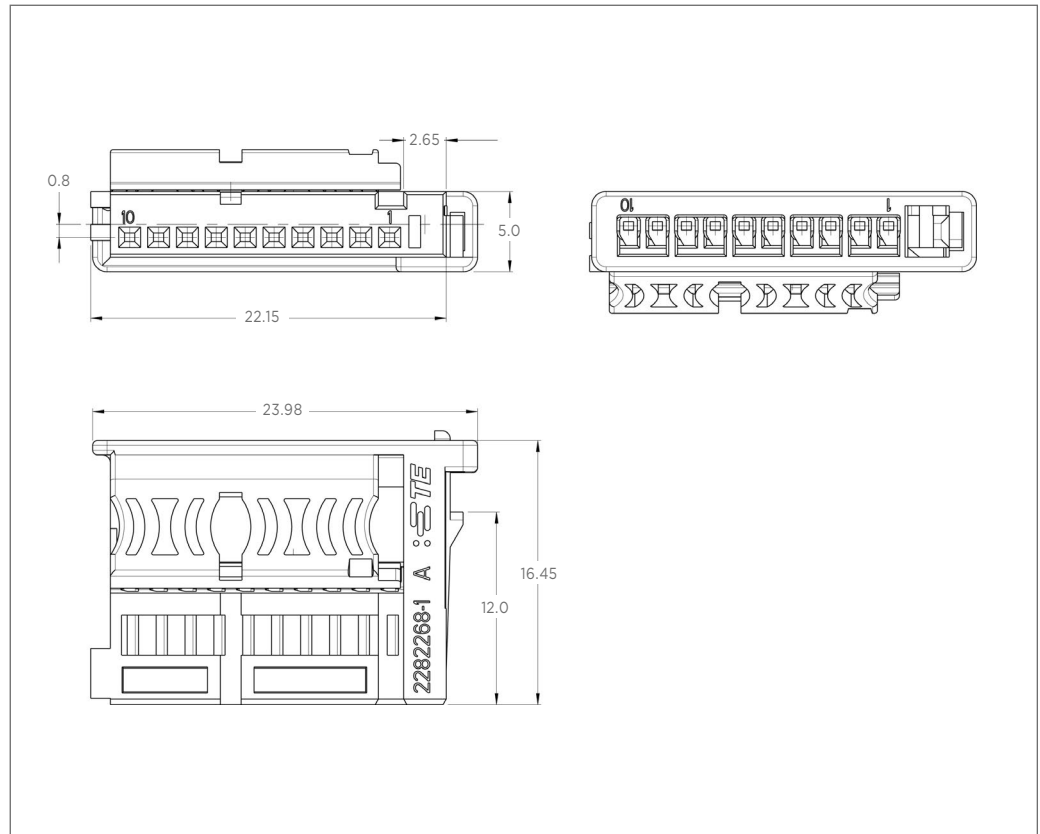
1355968-1

| Keying Options | Housing Color | Part Numbers | | | | | | | |
|----------------|---------------|---------------------------|-------|----------------|-----------------|--------------------|--------------------|-------------|-------------------------------|
| | | Receptacle Housing | Cover | Locking Device | Cover and Lever | Mating Tab Housing | Mating PCB Headers | | Contacts |
| | | | | | | | Right Angle | Vertical | |
| Coding A | Black | 2282156-1 | | | | | 2315413-1* | 2314511-1* | |
| Coding B | Natural | 2282156-2 | | | | | 2315413-2* | 2314511-2* | |
| Coding C | Blue | 2282156-3 * | N/A | N/A | N/A | TBD | 2315413-3 * | 2314511-3 * | x- 1703930 -x |
| Coding D | Violet | 2282156-4 * | | | | | 2315413-4 * | 2314511-4 * | |
| Coding Z | Water Blue | 2282156-9 | | | | | all codings | | |

* on request



Receptacle Housings - 1 Row Design - 10 Positions



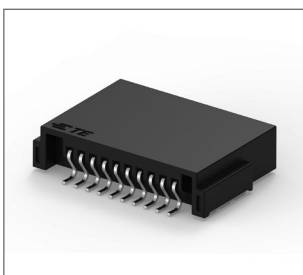
Technical Features

- No. of Positions:** 10 Positions
- Housing Material:** PBT Glas fibre reinforced
- Wire Size Range:** 0.13 - 0.35 mm²
- Product Specification:** 108-94288
- Application Specification:** 114-94033
- Extraction Tool:** 1355968-1

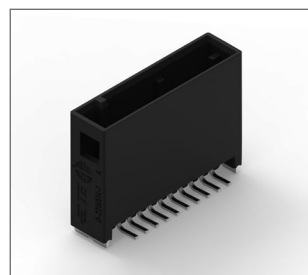
| Keying Options | Housing Color | Part Numbers | | | | | | | |
|----------------|---------------|---------------------------|-------|----------------|-----------------|--------------------|---------------------------|---------------------------|-------------------------------|
| | | Receptacle Housing | Cover | Locking Device | Cover and Lever | Mating Tab Housing | Mating PCB Headers | | Contacts |
| | | | | | | | Right Angle | Vertical | |
| Coding A | Black | 2282268-1 | | | | | 2315415-1 | 2314513-1 | |
| Coding B | Natural | 2282268-2 | | | | | 2315415-2 | 2314513-2 | |
| Coding C | Blue | 2282268-3 * | N/A | N/A | N/A | TBD | 2315415-3 * | 2314513-3 * | x- 1703930 -x |
| Coding D | Violet | 2282268-4 * | | | | | 2315415-4 * | 2314513-4 * | |
| Coding Z | Water Blue | 2282268-9 | | | | | all codings | | |

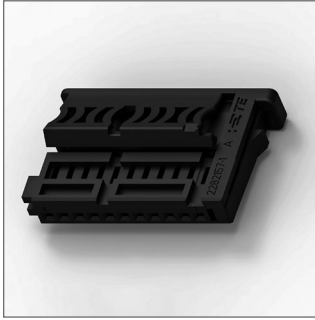
* on request

Mating PCB Header Right Angle see page 97

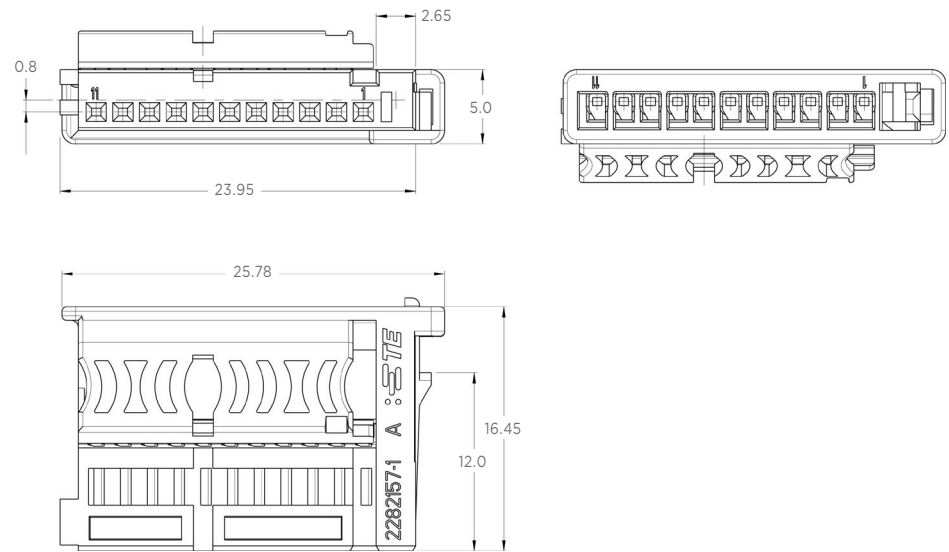


Mating PCB Header Vertical Angle see page 102





Receptacle Housings - 1 Row Design - 11 Positions



Technical Features

No. of Positions:

11 Positions

Housing Material:

PBT Glas fibre reinforced

Wire Size Range:
0.13 - 0.35 mm²
Product Specification:

108-94288

Application Specification:

114-94033

Extraction Tool:

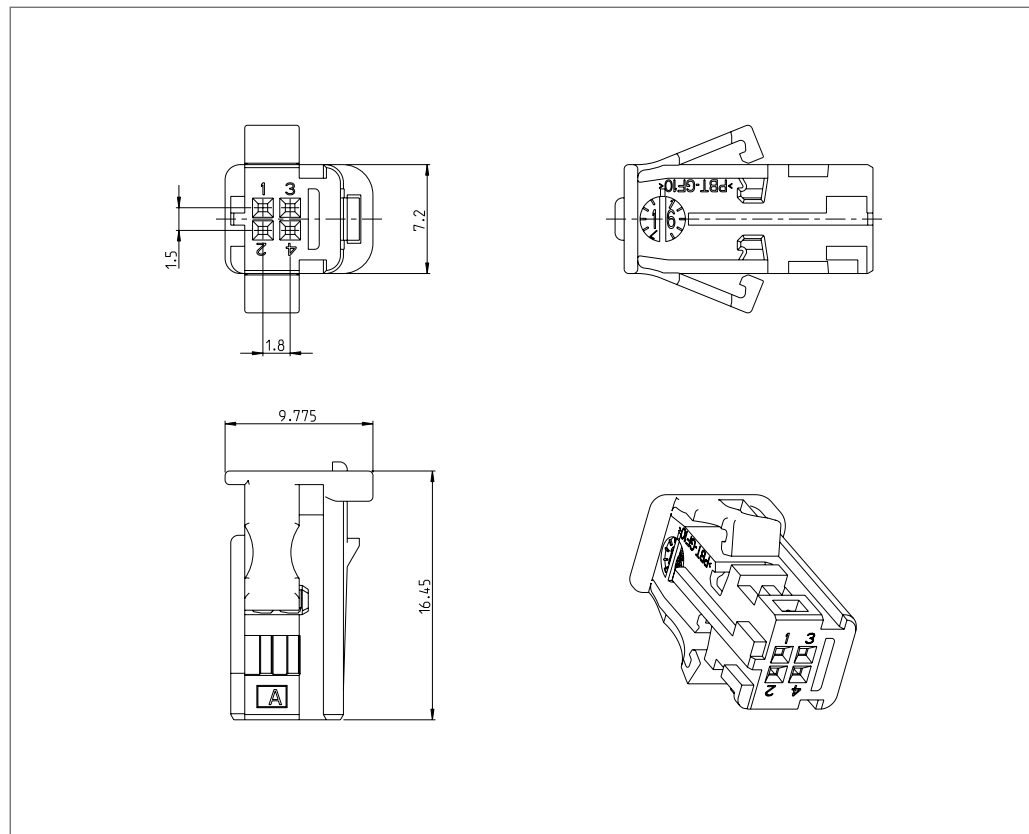
1355968-1

| Keying Options | Housing Color | Part Numbers | | | | | | | |
|----------------|---------------|---------------------------|-------|----------------|-----------------|--------------------|--------------------|------------|-------------------------------|
| | | Receptacle Housing | Cover | Locking Device | Cover and Lever | Mating Tab Housing | Mating PCB Headers | | Contacts |
| | | | | | | | Right Angle | Vertical | |
| Coding A | Black | 2282157-1 | | | | | 2315417-1* | 2314515-1* | |
| Coding B | Natural | 2282157-2 | | | | | 2315417-2* | 2314515-2* | |
| Coding C | Blue | 2282157-3 * | N/A | N/A | N/A | TBD | 2315417-3* | 2314515-3* | x- 1703930 -x |
| Coding D | Violet | 2282157-4 * | | | | | 2315417-4* | 2314515-4* | |
| Coding Z | Water Blue | 2282157-9 | | | | | all codings | | |

* on request



Receptacle Housings - 2 Row Design - 4 Positions



Technical Features

No. of Positions:
4 Positions

Housing Material:
PBT-GF10

Wire Size Range:
0.13 - 0.35 mm²

Interface:
114-94000-20

Product Specification:
108-94288

Application Specification:
114-94491

| Keying Options | Housing Color | Part Numbers | | | |
|----------------|---------------|---------------------------|--------------------|----------|-------------------------------|
| | | Receptacle Housing | Mating PCB Headers | | Contacts |
| | | | Right Angle | Vertical | |
| Coding A | Black | 2320004-1 | | | |
| Coding B | Natural | 2320004-2 | | | |
| Coding C | Blue | 2320004-3 * | TBD | TBD | x- 1703930 -x |
| Coding D | Violet | 2320004-4 * | | | |

* on request



Technical Features

No. of Positions:

6 Positions

Housing Material:

PBT-GF10

Wire Size Range:
0.13 - 0.35 mm²
Interface:

114-94000-20

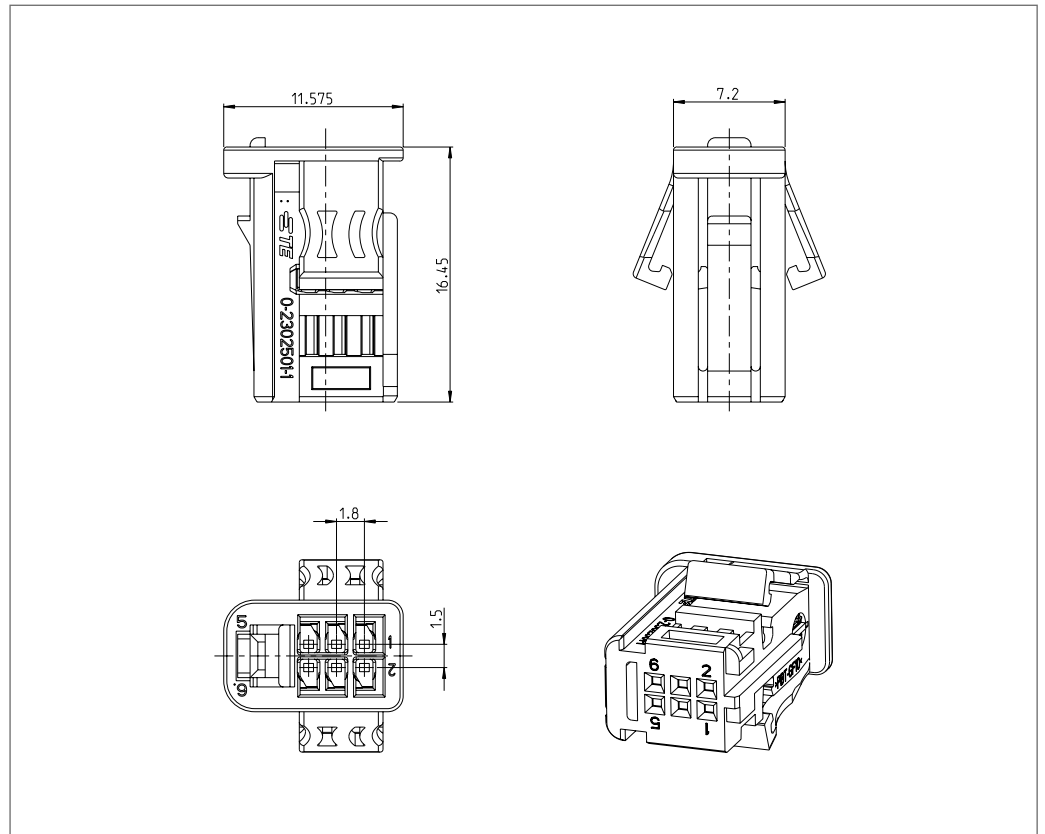
Product Specification:

108-94288

Application Specification:

114-94491

Receptacle Housings - 2 Row Design - 6 Positions

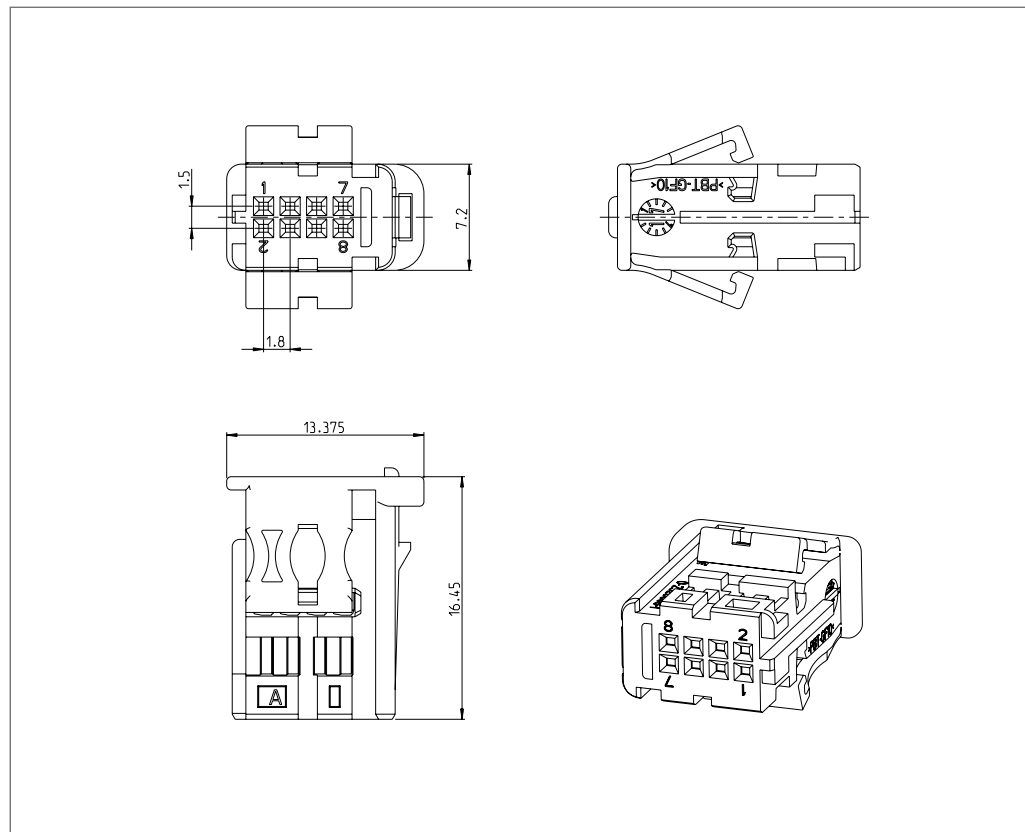


| Keying Options | Housing Color | Part Numbers | | | Contacts |
|----------------|---------------|---------------------------|--------------------|------------|-------------------------------|
| | | Receptacle Housing | Mating PCB Headers | | |
| | | | Right Angle | Vertical | |
| Coding A | Black | 2302501-1 | 2317501-1* | 2317521-1* | X- 1703930 -X |
| Coding B | Natural | 2302501-2 | 2317501-2* | 2317521-2* | |
| Coding C | Blue | 2302501-3* | 2317501-3* | 2317521-3* | |
| Coding D | Violet | 2302501-4* | 2317501-4* | 2317521-4* | |

* on request



Receptacle Housings - 2 Row Design - 8 Positions



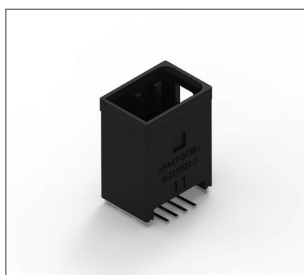
Technical Features

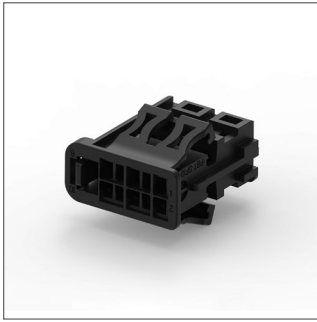
- No. of Positions:**
8 Positions
- Housing Material:**
PBT-GF10
- Wire Size Range:**
0.13 - 0.35 mm²
- Interface:**
114-94000-20
- Product Specification:**
108-94288
- Application Specification:**
114-94491

| Keying Options | Housing Color | Part Numbers | | | |
|----------------|---------------|---------------------------|--------------------|---------------------------|-------------------------------|
| | | Receptacle Housing | Mating PCB Headers | | Contacts |
| | | | Right Angle | Vertical | |
| Coding A | Black | 2320008-1 | 2317503-1* | 2317523-1 | x- 1703930 -x |
| Coding B | Natural | 2320008-2 | 2317503-2* | 2317523-2 | |
| Coding C | Blue | 2320008-3* | 2317503-3* | 2317523-3* | |
| Coding D | Violet | 2320008-4* | 2317503-4* | 2317523-4* | |

* on request

Mating PCB Header see page 107

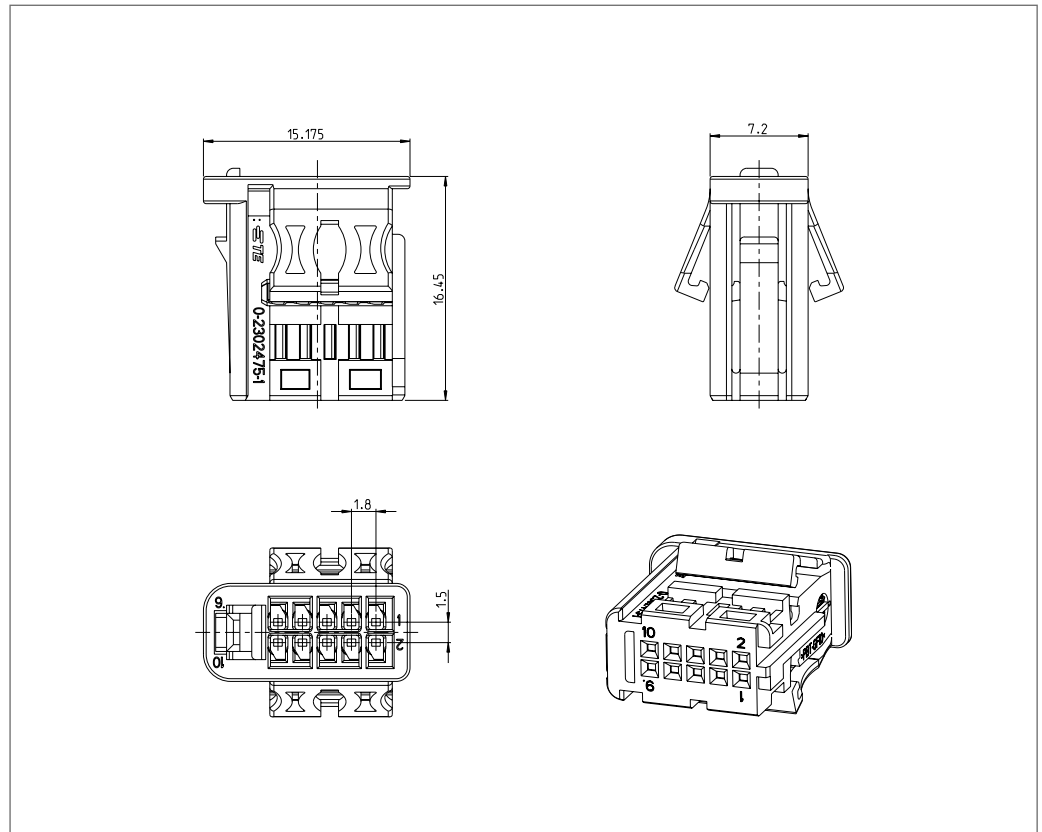




Technical Features

- No. of Positions:**
10 Positions
- Housing Material:**
PBT-GF10
- Wire Size Range:**
0.13 - 0.35 mm²
- Interface:**
114-94000-20
- Product Specification:**
108-94288
- Application Specification:**
114-94491

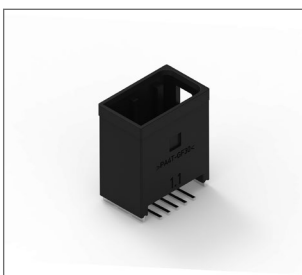
Receptacle Housings - 2 Row Design - 10 Positions

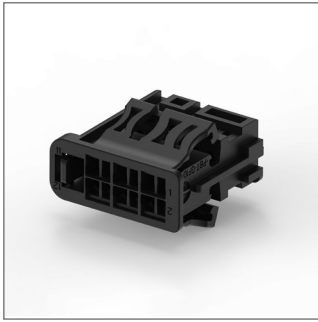


| Keying Options | Housing Color | Part Numbers | | | Contacts |
|----------------|---------------|---------------------------|--------------------|---------------------------|-------------|
| | | Receptacle Housing | Mating PCB Headers | | |
| | | | Right Angle | Vertical | |
| Coding A | Black | 2302475-1 | 2317505-1* | 2317525-1 | X-1703930-X |
| Coding B | Natural | 2302475-2 | 2317505-2* | 2317525-2 | |
| Coding C | Blue | 2302475-3 | 2317505-3* | 2317525-3* | |
| Coding D | Violet | 2302475-4 | 2317505-4* | 2317525-4* | |

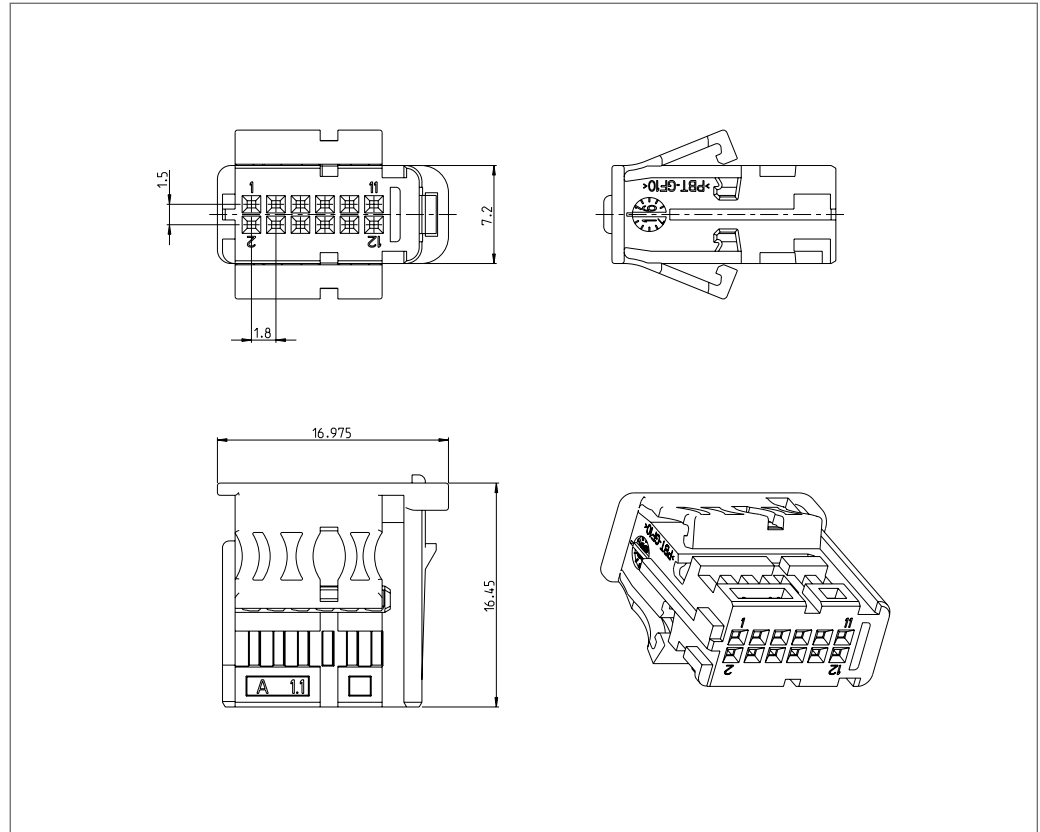
* on request

Mating PCB Header
Vertical see page 108





Receptacle Housings - 2 Row Design - 12 Positions



Technical Features

- No. of Positions:**
12 Positions
- Housing Material:**
PBT-GF10
- Wire Size Range:**
0.13 - 0.35 mm²
- Interface:**
114-94000-20
- Product Specification:**
108-94288
- Application Specification:**
114-94491

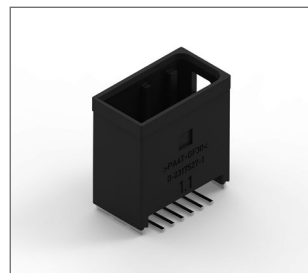
| Keying Options | Housing Color | Part Numbers | | | Contacts |
|----------------|---------------|---------------------------|---------------------------|---------------------------|-------------------------------|
| | | Receptacle Housing | Mating PCB Headers | | |
| | | | Right Angle | Vertical | |
| Coding A | Black | 2312212-1 | 2317507-1 | 2317527-1 | x- 1703930 -x |
| Coding B | Natural | 2312212-2 | 2317507-2 | 2317527-2 | |
| Coding C | Blue | 2312212-3* | 2317507-3* | 2317527-3* | |
| Coding D | Violet | 2312212-4* | 2317507-4* | 2317527-4* | |

* on request

Mating PCB Header
Right Angle see page 103



Mating PCB Header
Vertical see page 109

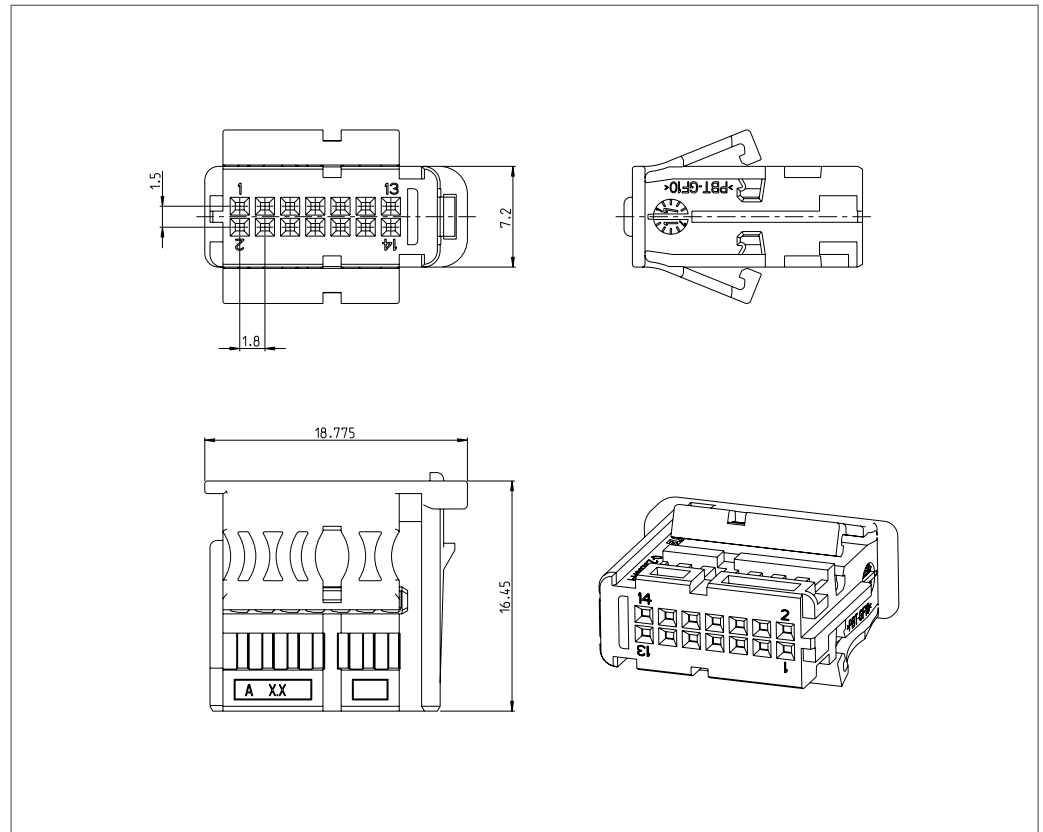




Technical Features

- No. of Positions:**
14 Positions
- Housing Material:**
PBT-GF10
- Wire Size Range:**
0.13 - 0.35 mm²
- Interface:**
114-94000-20
- Product Specification:**
108-94288
- Application Specification:**
114-94491

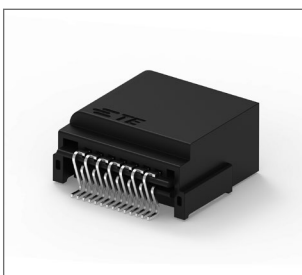
Receptacle Housings - 2 Row Design - 14 Positions



| Keying Options | Housing Color | Part Numbers | | | Contacts |
|----------------|---------------|---------------------------|---------------------------|------------|-------------------------------|
| | | Receptacle Housing | Mating PCB Headers | | |
| | | | Right Angle | Vertical | |
| Coding A | Black | 2320014-1 | 2317509-1 | 2317529-1* | X- 1703930 -X |
| Coding B | Natural | 2320014-2 | 2317509-2 | 2317529-2* | |
| Coding C | Blue | 2320014-3* | 2317509-3* | 2317529-3* | |
| Coding D | Violet | 2320014-4* | 2317509-4* | 2317529-4* | |

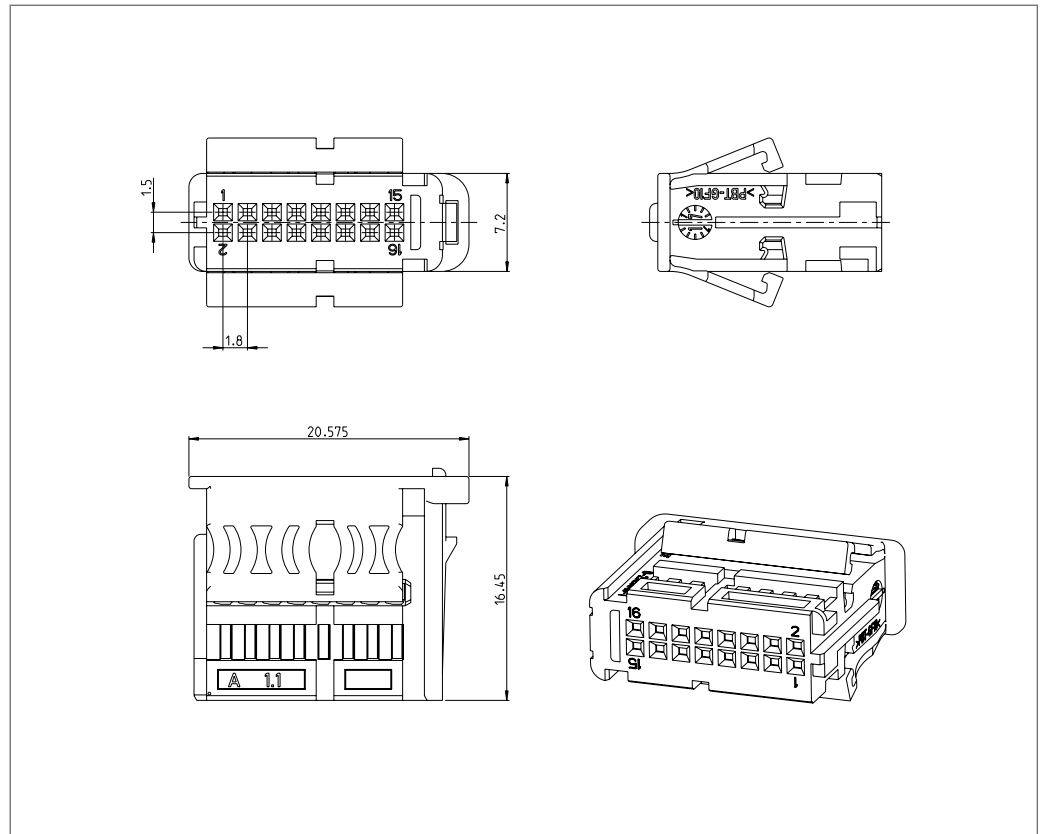
* on request

Mating PCB Header
Right Angle see page 104





Receptacle Housings - 2 Row Design - 16 Positions



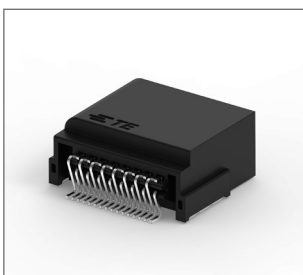
Technical Features

- No. of Positions:**
16 Positions
- Housing Material:**
PBT-GF10
- Wire Size Range:**
0.13 - 0.35 mm²
- Interface:**
114-94000-20
- Product Specification:**
108-94288
- Application Specification:**
114-94491

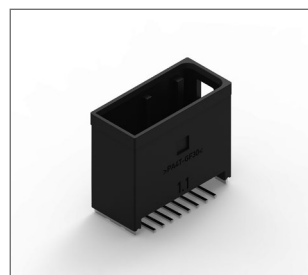
| Keying Options | Housing Color | Part Numbers | | | Contacts |
|----------------|---------------|---------------------------|---------------------------|---------------------------|-------------------------------|
| | | Receptacle Housing | Mating PCB Headers | | |
| | | | Right Angle | Vertical | |
| Coding A | Black | 2320016-1 | 2317511-1 | 2317531-1 | x- 1703930 -x |
| Coding B | Natural | 2320016-2 | 2317511-2 | 2317531-2 | |
| Coding C | Blue | 2320016-3 * | 2317511-3 * | 2317531-3 * | |
| Coding D | Violet | 2320016-4 * | 2317511-4 * | 2317531-4 * | |

* on request

Mating PCB Header
Right Angle see page 105



Mating PCB Header
Vertical see page 110





Technical Features

No. of Positions:
18 Positions

Housing Material:
PBT-GF10

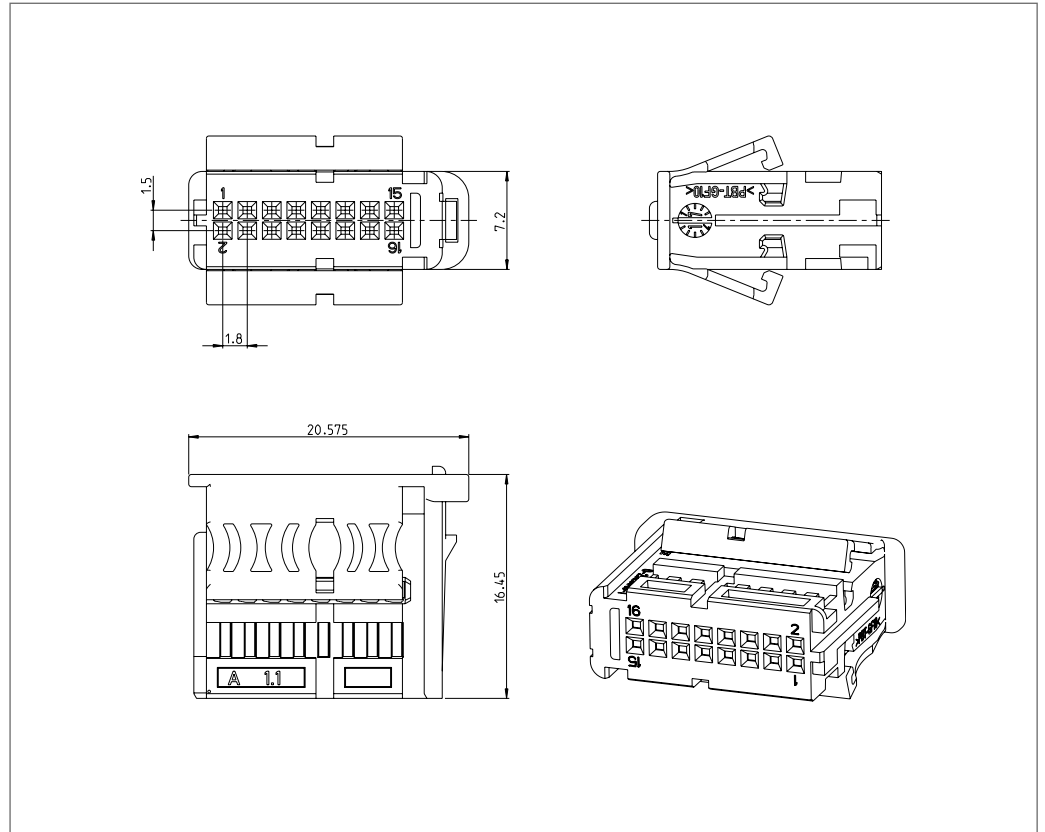
Wire Size Range:
0.13 - 0.35 mm²

Interface:
114-94000-20

Product Specification:
108-94288

Application Specification:
114-94491

Receptacle Housings - 2 Row Design - 18 Positions

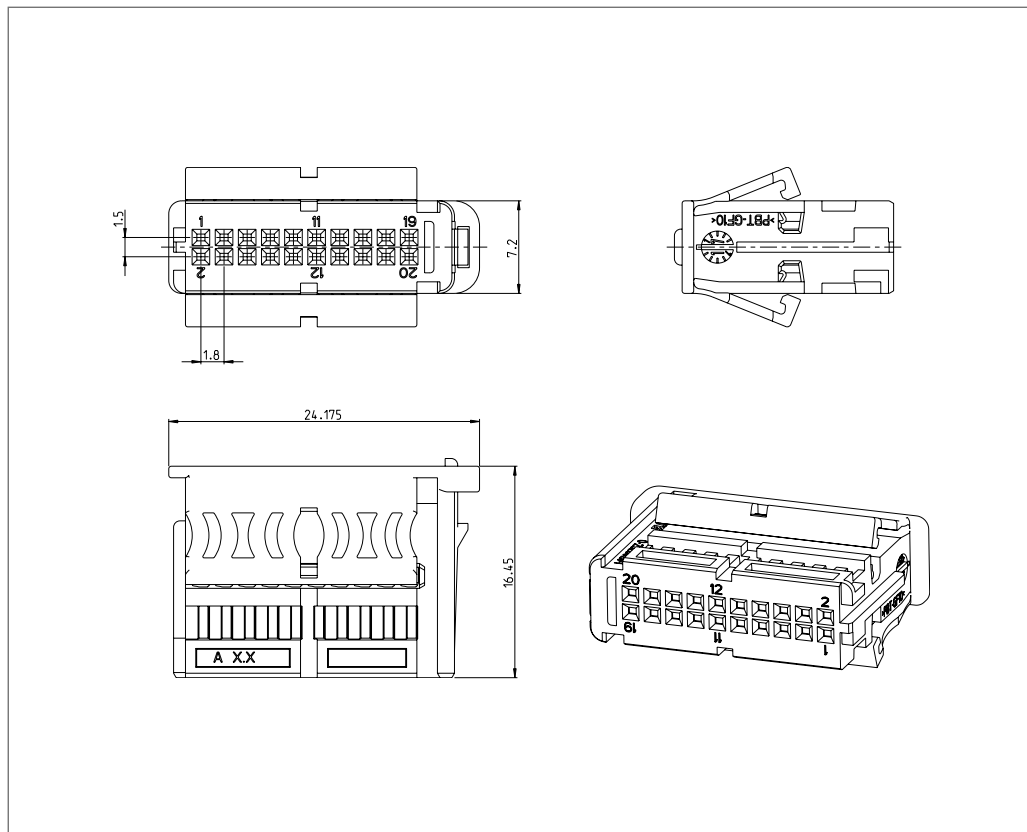


| Keying Options | Housing Color | Part Numbers | | | Contacts |
|----------------|---------------|---------------------------|--------------------|------------|-------------------------------|
| | | Receptacle Housing | Mating PCB Headers | | |
| | | | Right Angle | Vertical | |
| Coding A | Black | 2312218-1 | 2317513-1* | 2317533-1* | X- 1703930 -X |
| Coding B | Natural | 2312218-2 | 2317513-2* | 2317533-2* | |
| Coding C | Blue | 2312218-3* | 2317513-3* | 2317533-3* | |
| Coding D | Violet | 2312218-4* | 2317513-4* | 2317533-4* | |

* on request



Receptacle Housings - 2 Row Design - 20 Positions



Technical Features

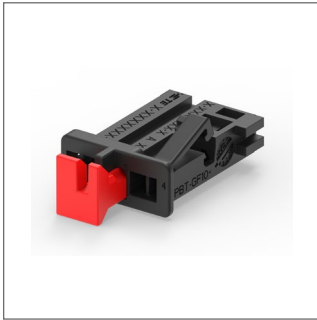
- No. of Positions:**
20 Positions
- Housing Material:**
PBT-GF10
- Wire Size Range:**
0.13 - 0.35 mm²
- Interface:**
114-94000-20
- Product Specification:**
108-94288
- Application Specification:**
114-94491

| Keying Options | Housing Color | Part Numbers | | | Contacts |
|----------------|---------------|---------------------------|---------------------------|------------|-------------------------------|
| | | Receptacle Housing | Mating PCB Headers | | |
| | | | Right Angle | Vertical | |
| Coding A | Black | 2320020-1 | 2317515-1 | 2317535-1* | x- 1703930 -x |
| Coding B | Natural | 2320020-2 | 2317515-2 | 2317535-2* | |
| Coding C | Blue | 2320020-3* | 2317515-3* | 2317535-3* | |
| Coding D | Violet | 2320020-4* | 2317515-4* | 2317535-4* | |

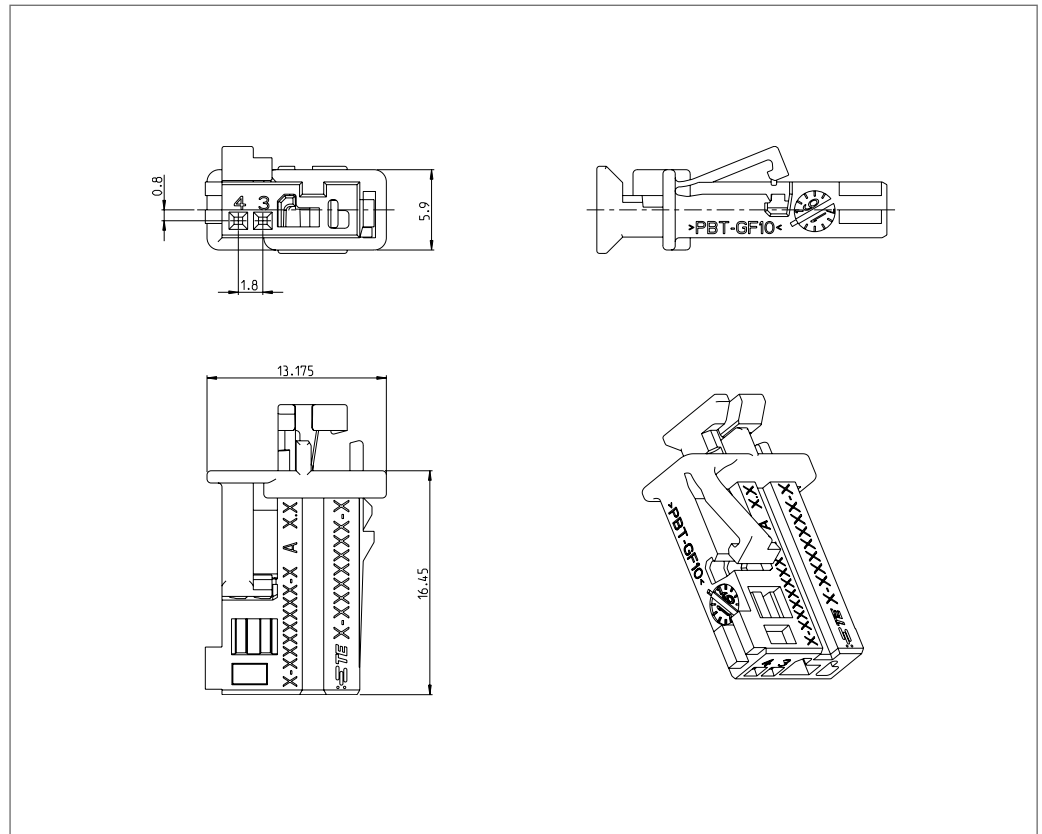
* on request

Mating PCB Header
Right Angle see page 106





Receptacle Housings - 1 Row Design - 2 Pos with CPA

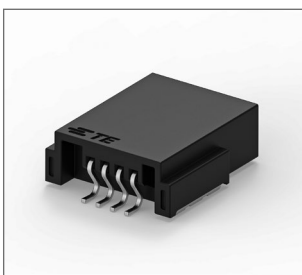


Technical Features

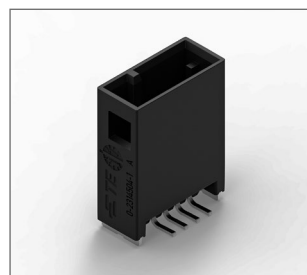
- No. of Positions:**
2 Positions
- Housing Material:**
PBT-GF10
- Wire Size Range:**
0.13-0.35 mm²
- Interface:**
208-18060
- Product Specification:**
108-94288
- Application Specification:**
114-94491

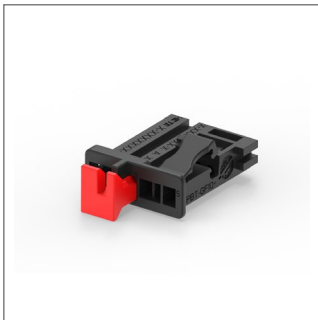
| Keying Options | Housing Color | Part Numbers | | | | |
|----------------|---------------|---------------------------|-----|---------------------------|---------------------------|-------------------------------|
| | | Receptacle Housing | CPA | Mating PCB Headers | | Contacts |
| | | | | Right Angle | Vertical | |
| Coding A | Black | 2333102-1 | Yes | 2315405-1 | 2314503-1 | x- 1703930 -x |
| Coding B | Natural | 2333102-2 | | 2315405-2 | 2314503-2 | |

Mating PCB Header Right Angle see page 92

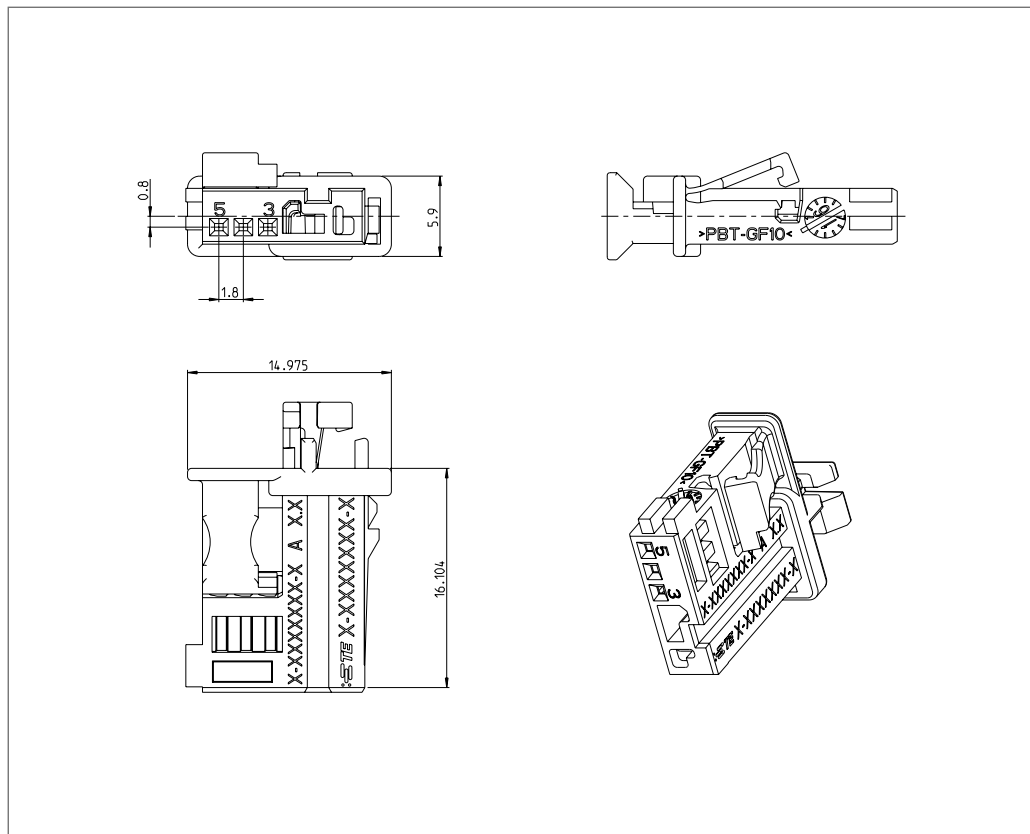


Mating PCB Header Vertical Angle see page 98





Receptacle Housings - 1 Row Design - 3 Pos with CPA

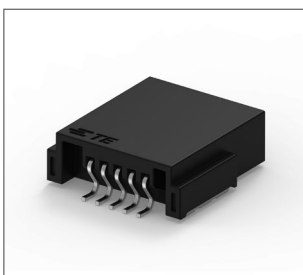


Technical Features

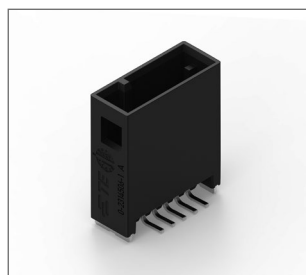
- No. of Positions:**
3 Positions
- Housing Material**
PBT-GF10
- Wire Size Range:**
0.13-0.35 mm²
- Interface:**
208-18060
- Product Specification:**
108-94288
- Application Specification:**
114-94491

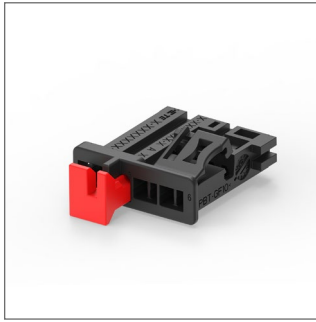
| Keying Options | Housing Color | Part Numbers | | | | |
|----------------|---------------|---------------------------|-----|---------------------------|---------------------------|------------------------------|
| | | Receptacle Housing | CPA | Mating PCB Headers | | Contacts |
| | | | | Right Angle | Vertical | |
| Coding A | Black | 2333103-1 | | 2315407-1 | 2314505-1 | |
| Coding B | Natural | 2333103-2 | Yes | 2315407-2 | 2314505-2 | x- 1703930-x |
| Coding C | Blue | 2333103-3 | | 2315407-3* | 2314505-3 | |

Mating PCB Header Right Angle see page 93

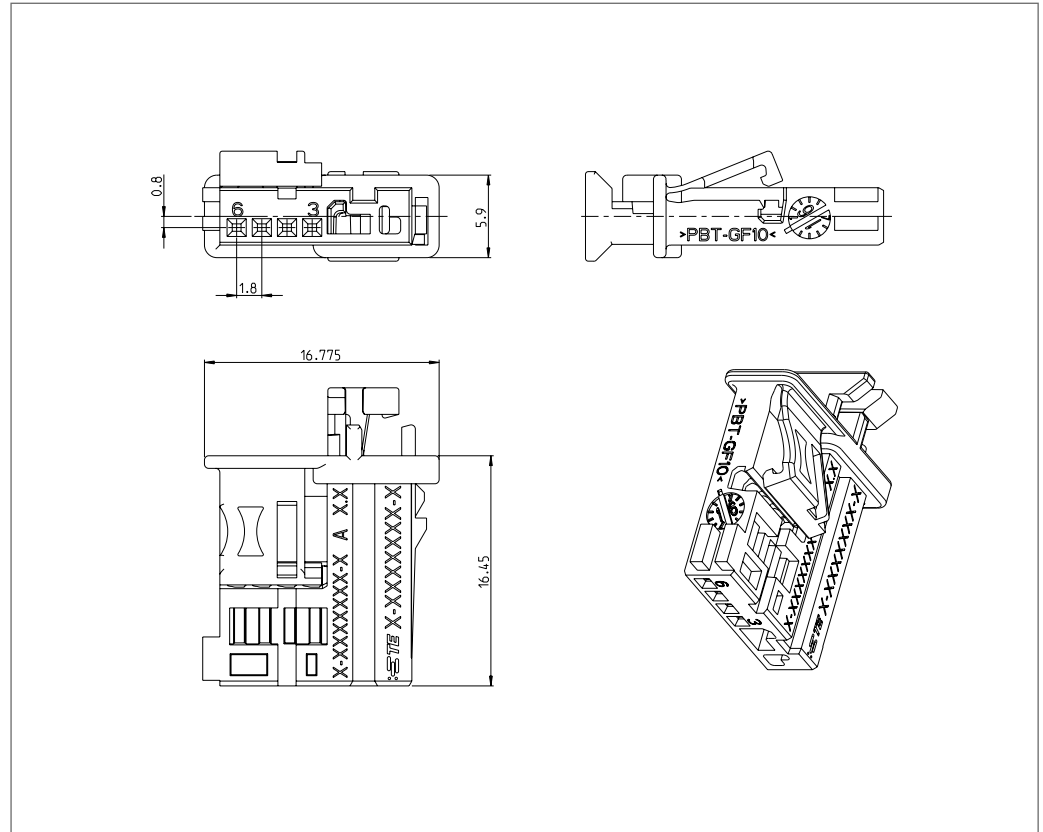


Mating PCB Header Vertical Angle see page 99





Receptacle Housings - 1 Row Design - 4 Pos with CPA

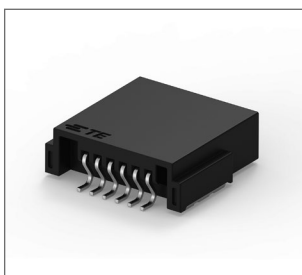


Technical Features

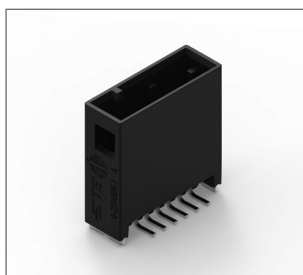
- No. of Positions:**
4 Positions
- Housing Material**
PBT-GF10
- Wire Size Range:**
0.13-0.35 mm²
- Interface:**
208-18060
- Product Specification:**
108-94288
- Application Specification:**
114-94491

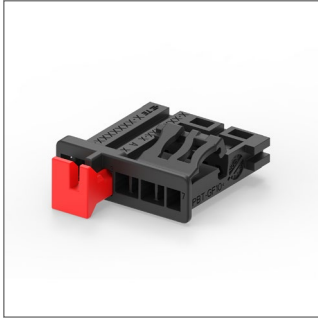
| Keying Options | Housing Color | Part Numbers | | | | |
|----------------|---------------|---------------------------|-----|---------------------------|---------------------------|-------------------------------|
| | | Receptacle Housing | CPA | Mating PCB Headers | | Contacts |
| | | | | Right Angle | Vertical | |
| Coding A | Black | 2333104-1 | Yes | 2311714-1 | 2314507-1 | x- 1703930 -x |
| Coding B | Natural | 2333104-2 | | 2311714-2 | 2314507-2 | |

Mating PCB Header
Right Angle see page 94

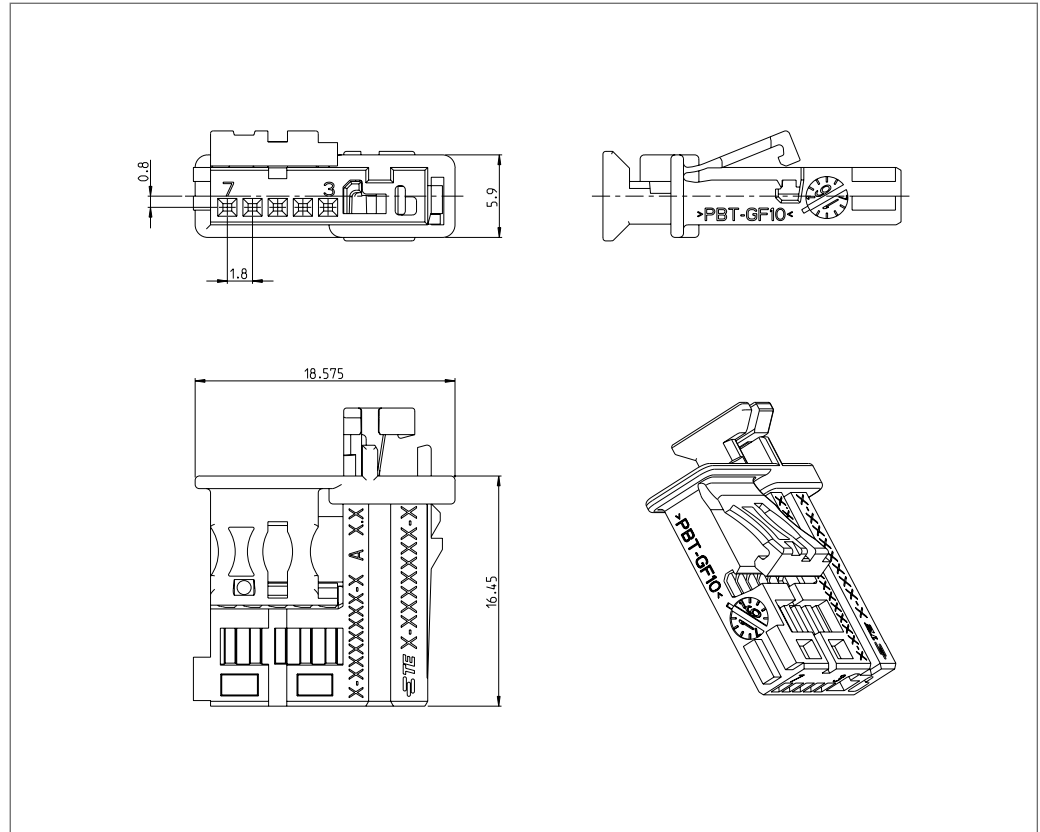


Mating PCB Header
Vertical Angle see page 100





Receptacle Housings - 1 Row Design - 5 Pos with CPA



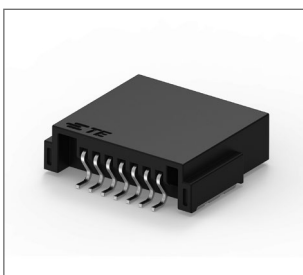
Technical Features

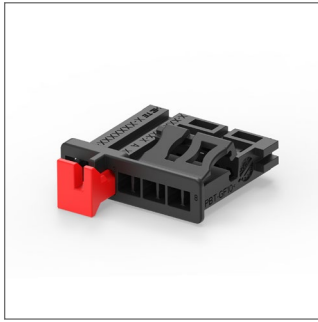
- No. of Positions:** 5 Positions
- Housing Material:** PBT-GF10
- Wire Size Range:** 0.13-0.35 mm²
- Interface:** 208-18060
- Product Specification:** 108-94288
- Application Specification:** 114-94491

| Keying Options | Housing Color | Part Numbers | | | | |
|----------------|---------------|---------------------------|-----|---------------------------|------------|-------------------------------|
| | | Receptacle Housing | CPA | Mating PCB Headers | | Contacts |
| | | | | Right Angle | Vertical | |
| Coding A | Black | 2333105-1 | Yes | 2315409-1 | 2314509-1* | X- 1703930 -X |
| Coding B | Natural | 2333105-2 | | 2315409-2 | 2314509-2* | |

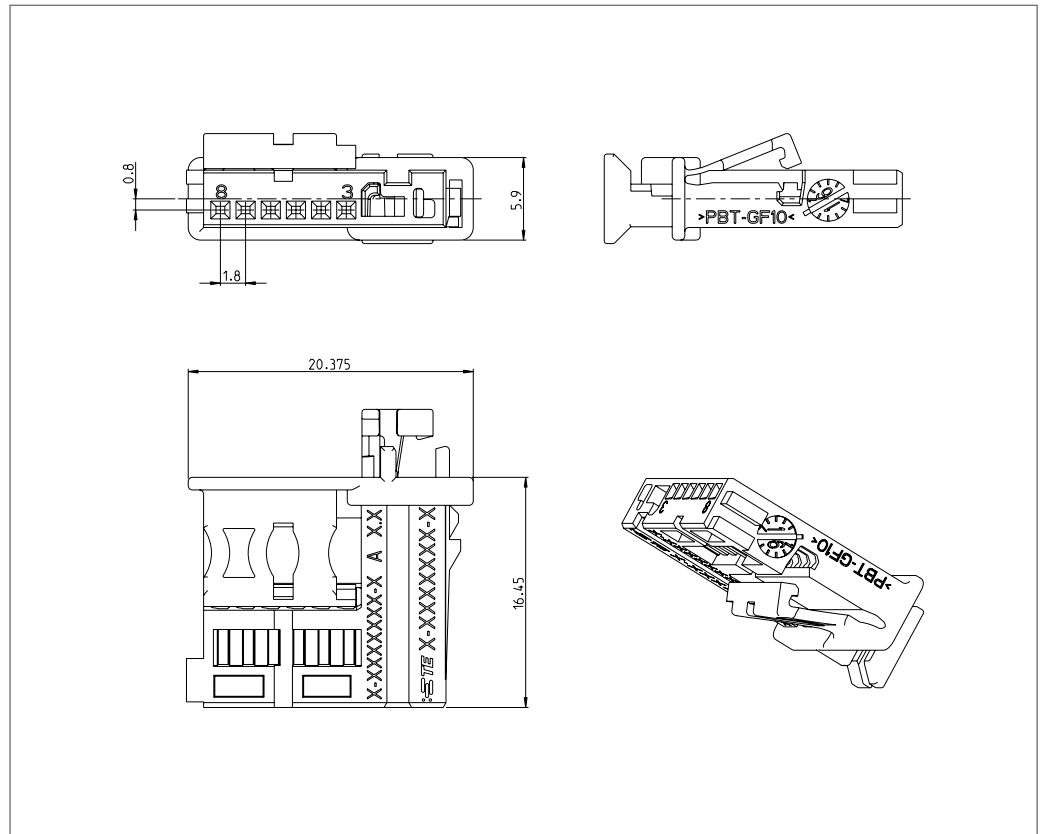
* on request

Mating PCB Header
Right Angle see page 95





Receptacle Housings - 1 Row Design - 6 Pos with CPA



Technical Features

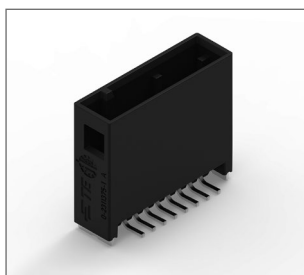
- No. of Positions:**
6 Positions
- Housing Material:**
PBT-GF10
- Wire Size Range:**
0.13-0.35 mm²
- Interface:**
208-18060
- Product Specification:**
108-94288
- Application Specification:**
114-94491

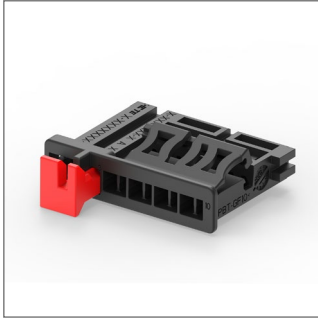
| Keying Options | Housing Color | Part Numbers | | | | |
|----------------|---------------|---------------------------|-----|---------------------------|---------------------------|-------------------------------|
| | | Receptacle Housing | CPA | Mating PCB Headers | | Contacts |
| | | | | Right Angle | Vertical | |
| Coding A | Black | 2309873-1 | | 2315411-1 | 2311396-1 | |
| Coding B | Natural | 2309873-2 | Yes | 2315411-2 | 2311396-2 | x- 1703930 -x |
| Coding C | Blue | 2309873-3 | | 2315411-3 | 2311396-3 | |

Mating PCB Header
Right Angle see page 96

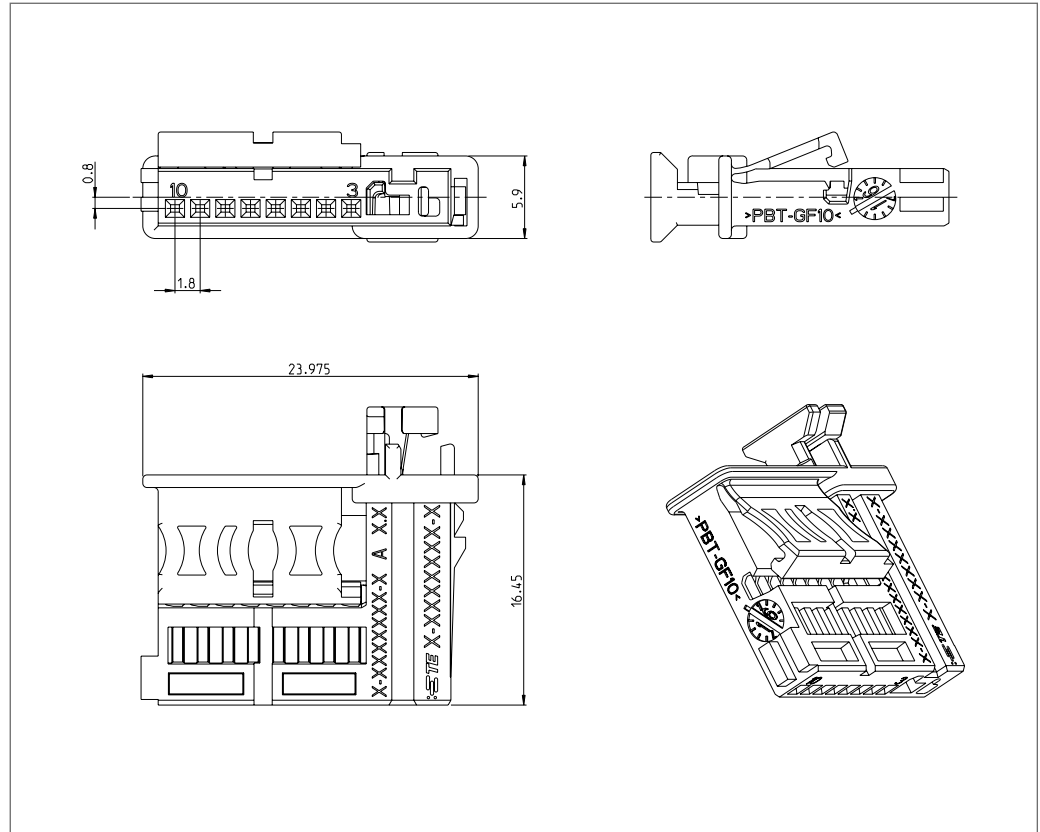


Mating PCB Header
Vertical Angle see page 101





Receptacle Housings - 1 Row Design - 8 Pos with CPA

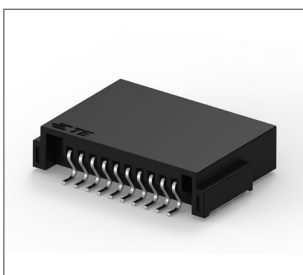


Technical Features

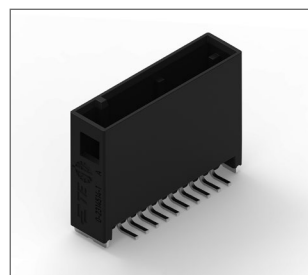
- No. of Positions:**
8 Positions
- Housing Material**
PBT-GF10
- Wire Size Range:**
0.13-0.35 mm²
- Interface:**
208-18060
- Product Specification:**
108-94288
- Application Specification:**
114-94491

| Keying Options | Housing Color | Part Numbers | | | | |
|----------------|---------------|---------------------------|-----|---------------------------|---------------------------|-------------------------------|
| | | Receptacle Housing | CPA | Mating PCB Headers | | Contacts |
| | | | | Right Angle | Vertical | |
| Coding A | Black | 2333108-1 | Yes | 2315415-1 | 2314513-1 | X- 1703930 -X |
| Coding B | Natural | 2333108-2 | | 2315415-2 | 2314513-2 | |

Mating PCB Header Right Angle see page 97



Mating PCB Header Vertical Angle see page 102





Technical Features

No. of Positions:
4 Positions

Housing Material:
PBT-GF10

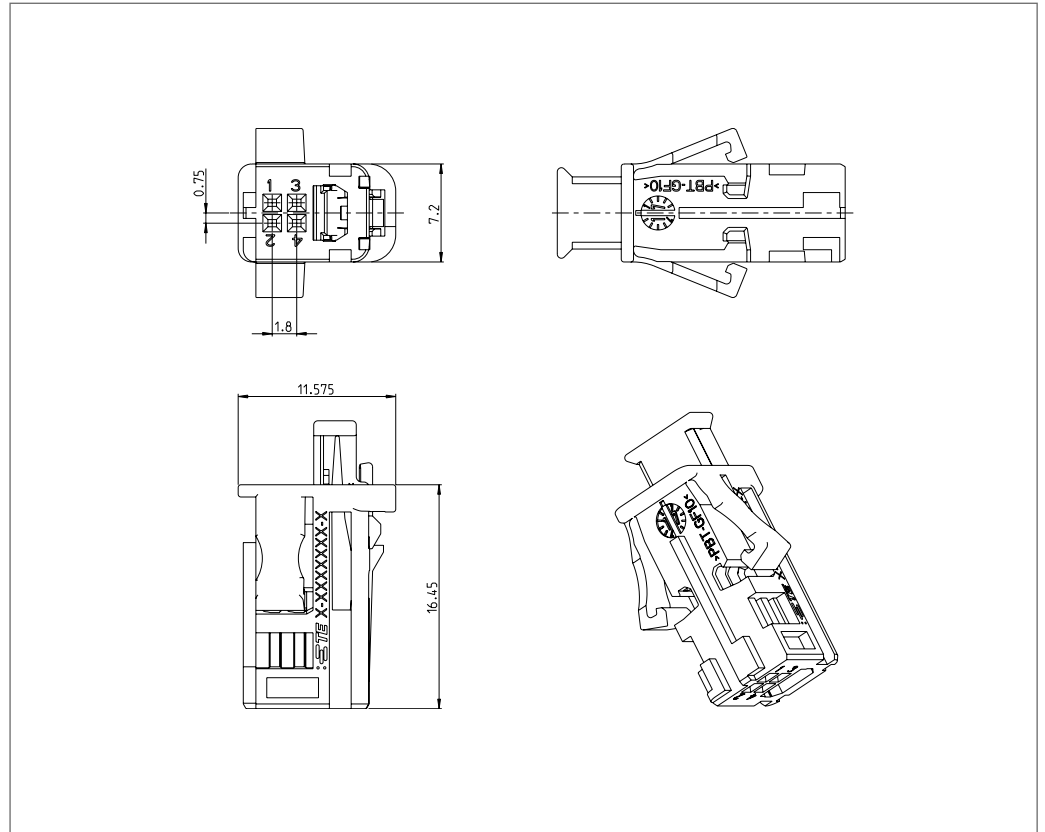
Wire Size Range:
0.13-0.35 mm²

Interface:
114-94000-20

Product Specification:
108-94288

Application Specification:
114-94491

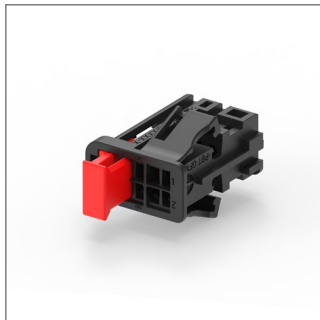
Receptacle Housings - 2 Row Design - 4 Pos with CPA



| Keying Options | Housing Color | Receptacle Housing | CPA | Part Numbers | | Contacts |
|----------------|---------------|---------------------------|-----|--------------------|------------|-------------------------------|
| | | | | Mating PCB Headers | | |
| | | | | Right Angle | Vertical | |
| Coding A | Black | 2345104-1 | Yes | 2317501-1* | 2317521-1* | x- 1703930 -x |
| Coding B | Natural | 2345104-2 | | 2317501-2* | 2317521-2* | |
| Coding C | Blue | 2345104-3* | | 2317501-3* | 2317521-3* | |
| Coding D | Violet | 2345104-4* | | 2317501-4* | 2317521-4* | |

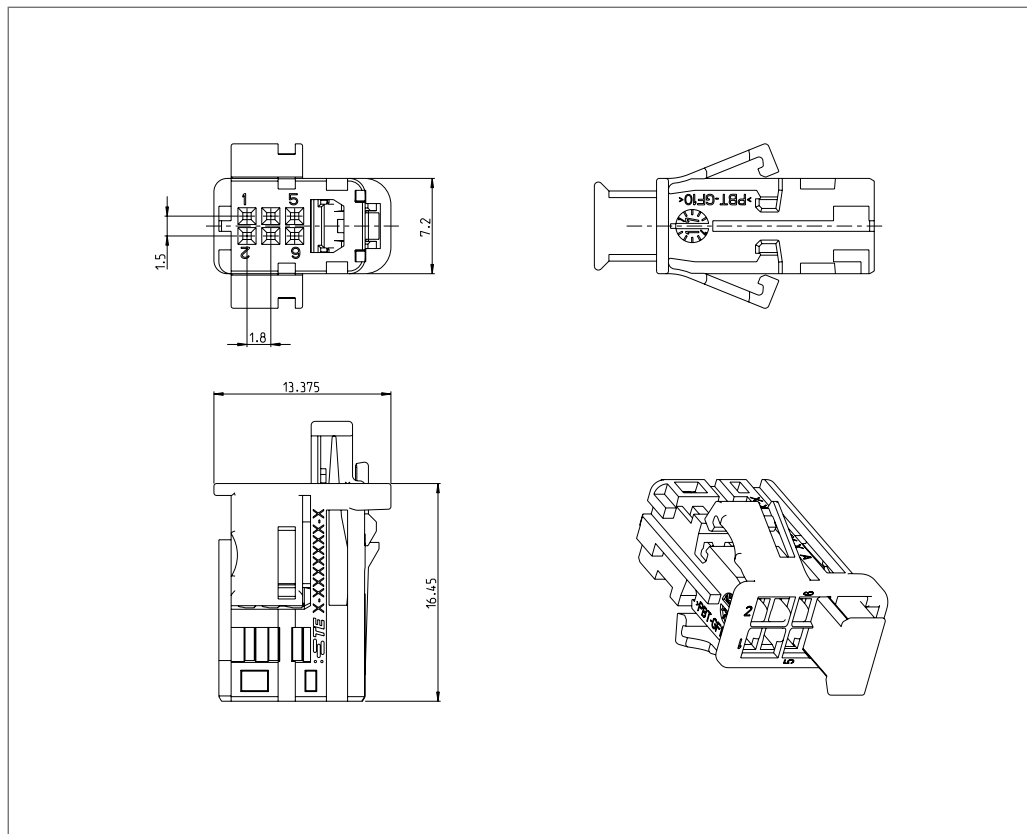
* on request

Receptacle Housings - 2 Row Design - 6 Pos with CPA



Technical Features

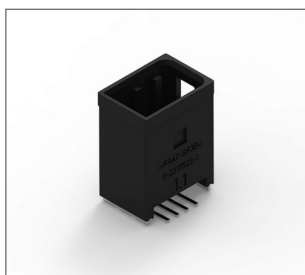
- No. of Positions:**
6 Positions
- Housing Material**
PBT-GF10
- Wire Size Range:**
0.13-0.35 mm²
- Interface:**
114-94000-20
- Product Specification:**
108-94288
- Application Specification:**
114-94491

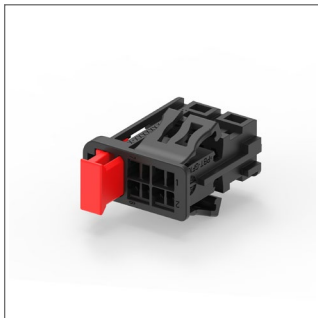


| Keying Options | Housing Color | Part Numbers | | | | |
|----------------|---------------|---------------------------|-----|--------------------|---------------------------|-------------------------------|
| | | Receptacle Housing | CPA | Mating PCB Headers | | Contacts |
| | | | | Right Angle | Vertical | |
| Coding A | Black | 2312106-1 | Yes | 2317503-1* | 2317523-1 | x- 1703930 -x |
| Coding B | Natural | 2312106-2 | | 2317503-2* | 2317523-2 | |
| Coding C | Blue | 2312106-3* | | 2317503-3* | 2317523-3* | |
| Coding D | Violet | 2312106-4* | | 2317503-4* | 2317523-4* | |

* on request

Mating PCB Header
Vertical Angle see page 107

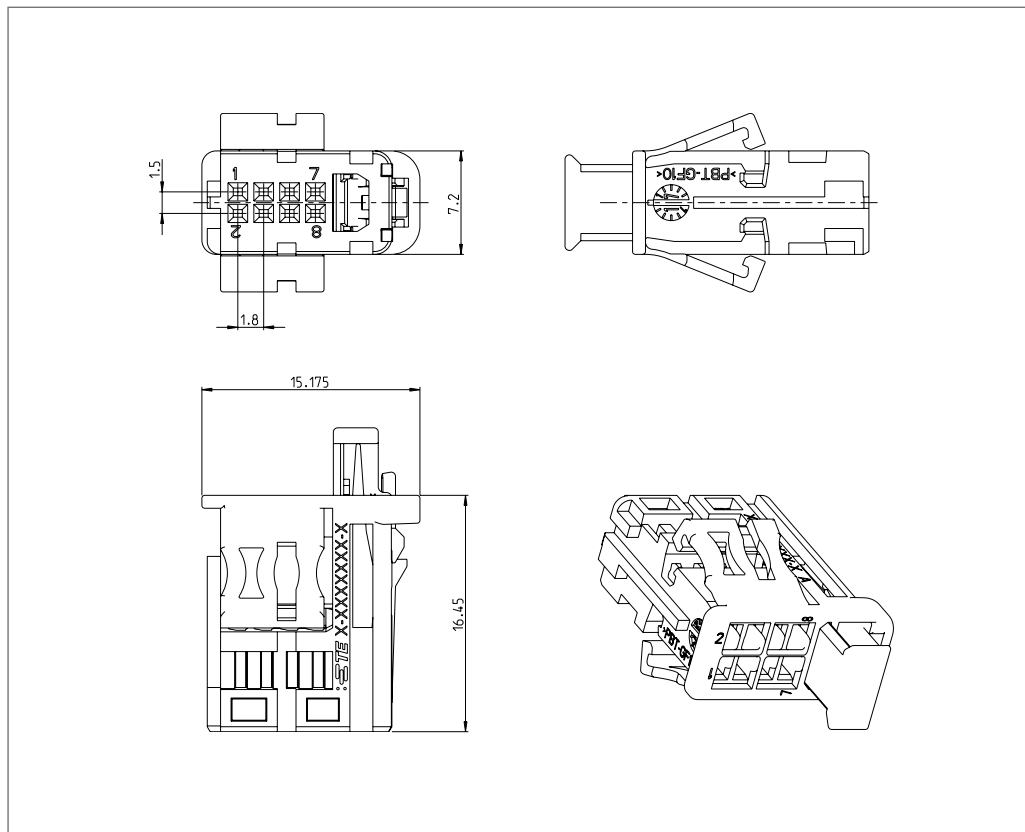




Technical Features

- No. of Positions:**
8 Positions
- Housing Material:**
PBT-GF10
- Wire Size Range:**
0.13-0.35 mm²
- Interface:**
114-94000-20
- Product Specification:**
108-94288
- Application Specification:**
114-94491

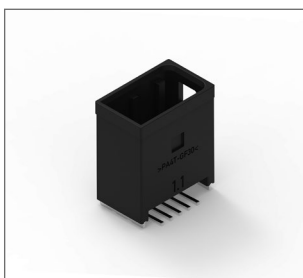
Receptacle Housings - 2 Row Design - 8 Pos with CPA

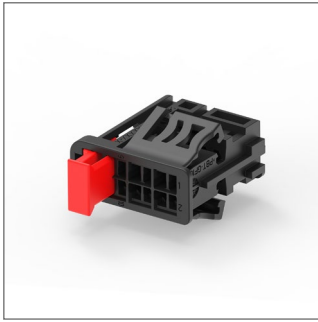


| Keying Options | Housing Color | Part Numbers | | | | |
|----------------|---------------|---------------------------|-----|--------------------|---------------------------|-------------------------------|
| | | Receptacle Housing | CPA | Mating PCB Headers | | Contacts |
| | | | | Right Angle | Vertical | |
| Coding A | Black | 2312108-1 | Yes | 2317505-1* | 2317525-1 | x- 1703930 -x |
| Coding B | Natural | 2312108-2 | | 2317505-2* | 2317525-2 | |
| Coding C | Blue | 2312108-3* | | 2317505-3* | 2317525-3* | |
| Coding D | Violet | 2312108-4* | | 2317505-4* | 2317525-4* | |

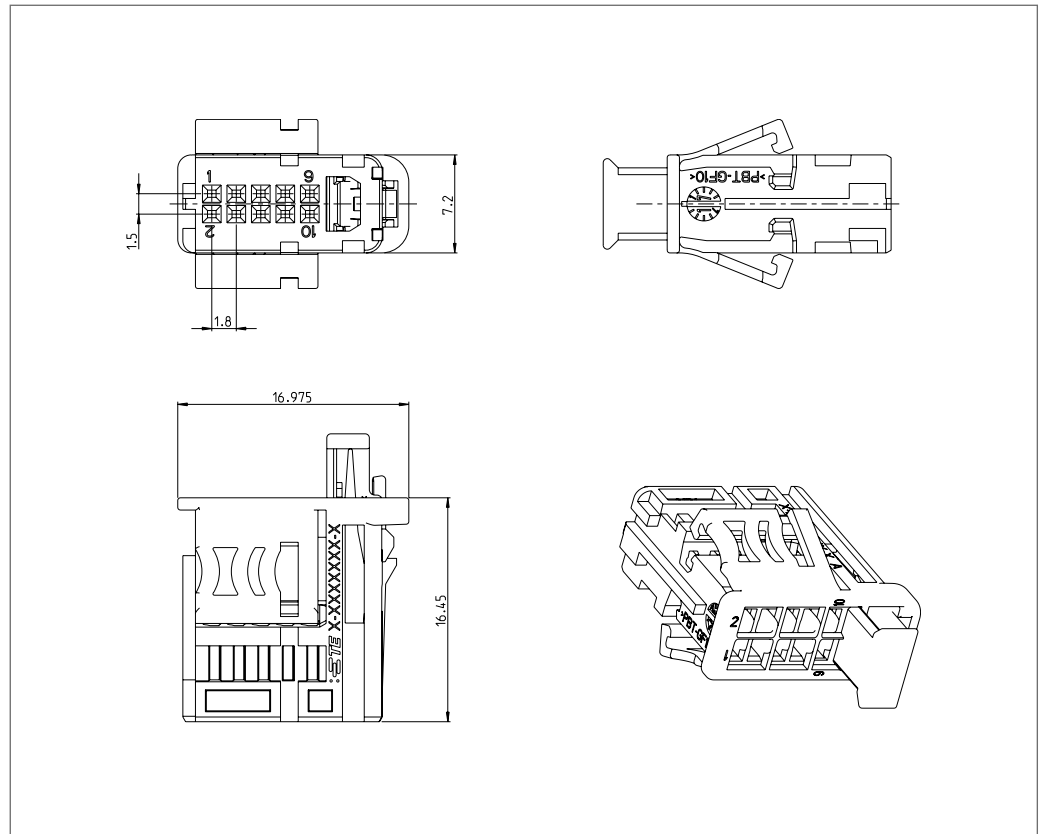
* on request

Mating PCB Header
Vertical Angle see page 108





Receptacle Housings - 2 Row Design - 10 Pos with CPA



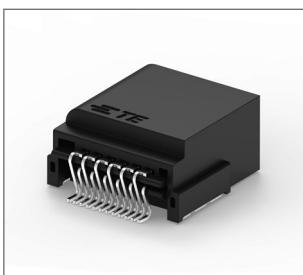
Technical Features

- No. of Positions:**
10 Positions
- Housing Material**
PBT-GF10
- Wire Size Range:**
0.13-0.35 mm²
- Interface:**
114-94000-20
- Product Specification:**
108-94288
- Application Specification:**
114-94491

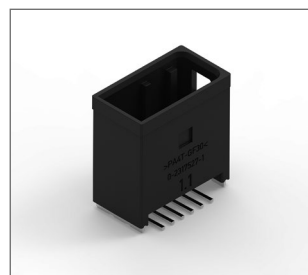
| Keying Options | Housing Color | Part Numbers | | | | |
|----------------|---------------|---------------------------|-----|---------------------------|---------------------------|-------------------------------|
| | | Receptacle Housing | CPA | Mating PCB Headers | | Contacts |
| | | | | Right Angle | Vertical | |
| Coding A | Black | 2312110-1 | Yes | 2317507-1 | 2317527-1 | x- 1703930 -x |
| Coding B | Natural | 2312110-2 | | 2317507-2 | 2317527-2 | |
| Coding C | Blue | 2312110-3* | | 2317507-3* | 2317527-3* | |
| Coding D | Violet | 2312110-4* | | 2317507-4* | 2317527-4* | |

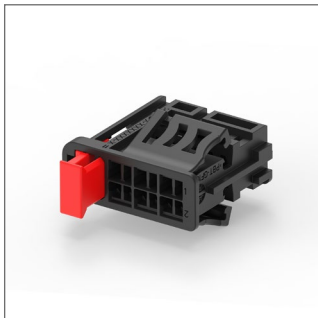
* on request

Mating PCB Header
Right Angle see page 103

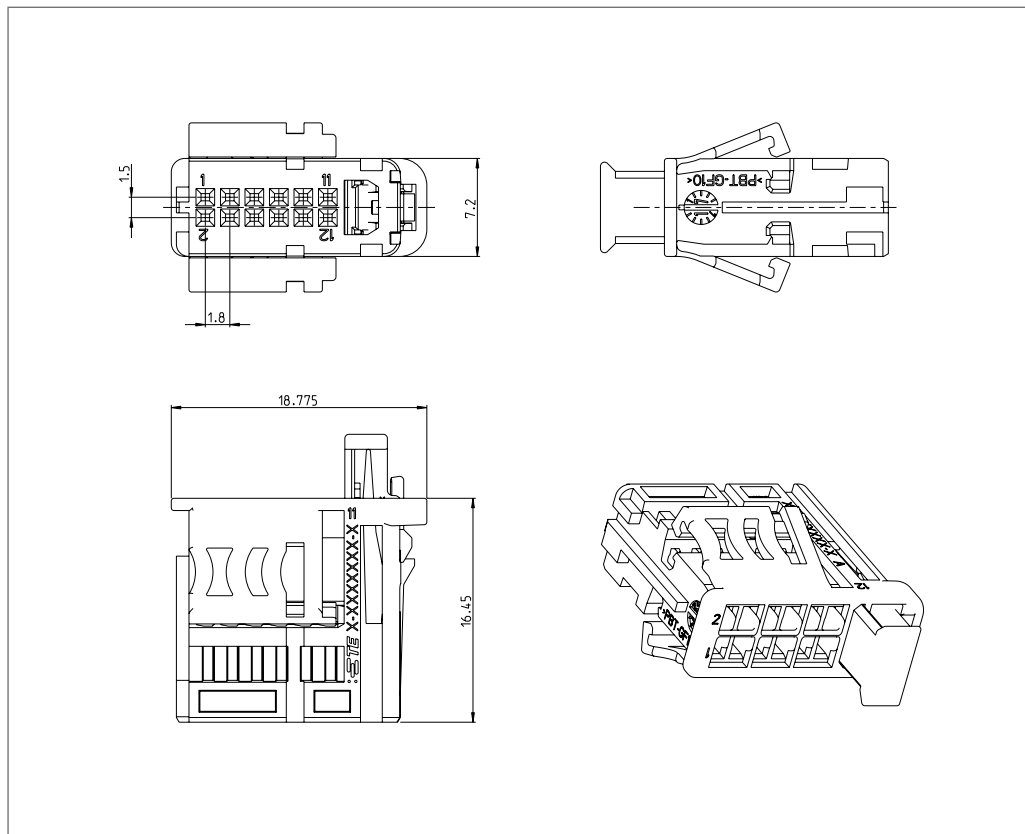


Mating PCB Header
Vertical Angle see page 109





Receptacle Housings - 2 Row Design - 12 Pos with CPA



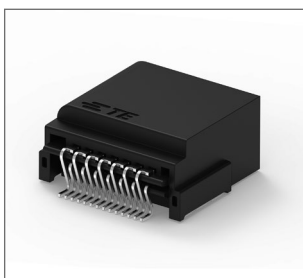
Technical Features

- No. of Positions:**
12 Positions
- Housing Material:**
PBT-GF10
- Wire Size Range:**
0.13-0.35 mm²
- Interface:**
114-94000-20
- Product Specification:**
108-94288
- Application Specification:**
114-94491

| Keying Options | Housing Color | Receptacle Housing | CPA | Part Numbers | | Contacts |
|----------------|---------------|---------------------------|-----|---------------------------|------------|-------------------------------|
| | | | | Mating PCB Headers | | |
| | | | | Right Angle | Vertical | |
| Coding A | Black | 2312112-1 | Yes | 2317509-1 | 2317529-1* | x- 1703930 -x |
| Coding B | Natural | 2312112-2 | | 2317509-2 | 2317529-2* | |
| Coding C | Blue | 2312112-3* | | 2317509-3* | 2317529-3* | |
| Coding D | Violet | 2312112-4* | | 2317509-4* | 2317529-4* | |

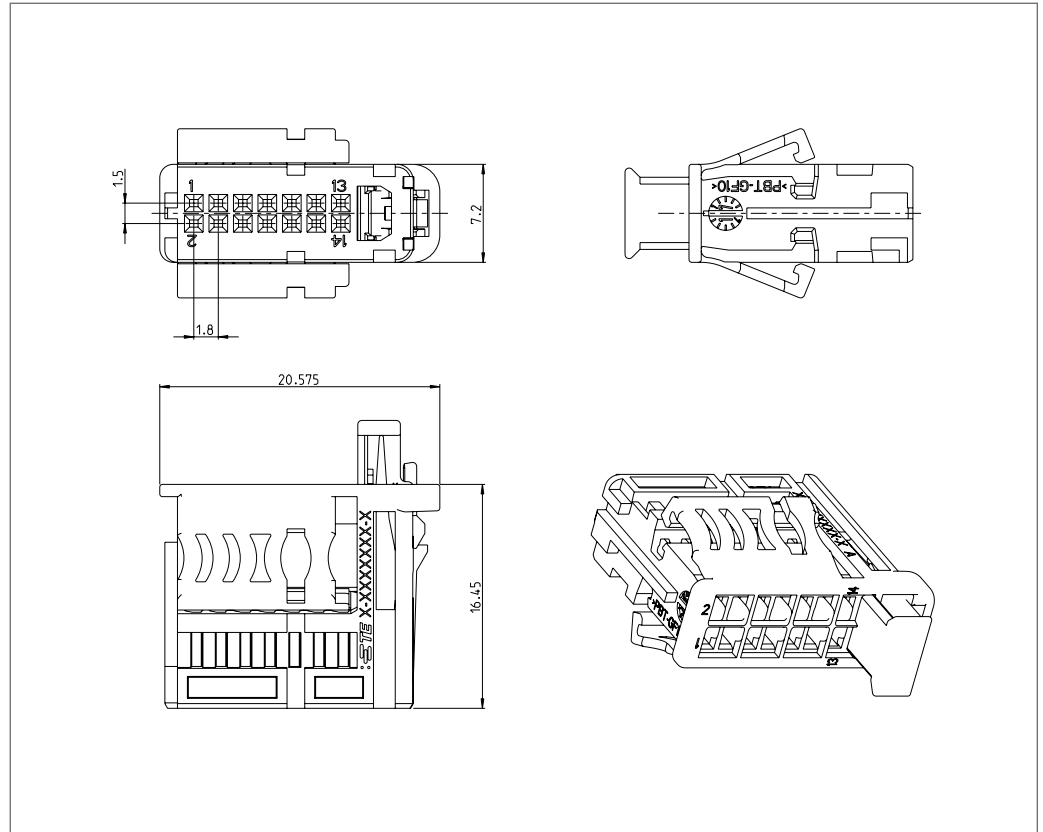
* on request

Mating PCB Header
Right Angle see page 104





Receptacle Housings - 2 Row Design - 14 Pos with CPA



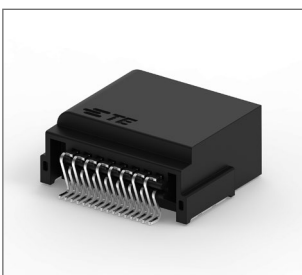
Technical Features

- No. of Positions:** 14 Positions
- Housing Material:** PBT-GF10
- Wire Size Range:** 0.13-0.35 mm²
- Interface:** 114-94000-20
- Product Specification:** 108-94288
- Application Specification:** 114-94491

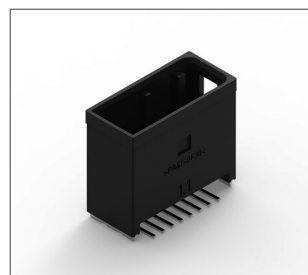
| Keying Options | Housing Color | Part Numbers | | | | |
|----------------|---------------|---------------------------|-----|---------------------------|---------------------------|-------------------------------|
| | | Receptacle Housing | CPA | Mating PCB Headers | | Contacts |
| | | | | Right Angle | Vertical | |
| Coding A | Black | 2312114-1 | Yes | 2317511-1 | 2317531-1 | x- 1703930 -x |
| Coding B | Natural | 2312114-2 | | 2317511-2 | 2317531-2 | |
| Coding C | Blue | 2312114-3 * | | 2317511-3 * | 2317531-3 * | |
| Coding D | Violet | 2312114-4 * | | 2317511-4 * | 2317531-4 * | |

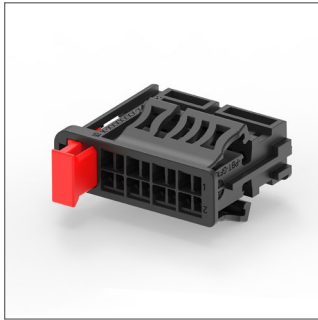
* on request

Mating PCB Header Right Angle see page 105

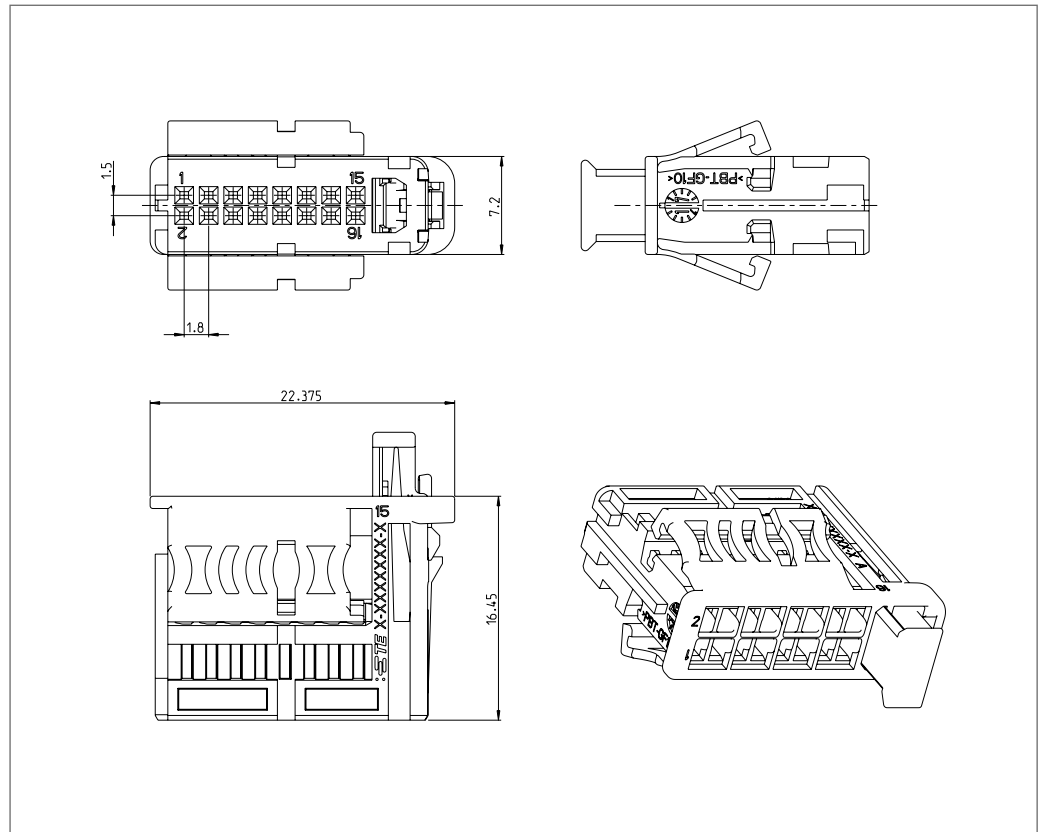


Mating PCB Header Vertical Angle see page 110





Receptacle Housings - 2 Row Design - 16 Pos with CPA



Technical Features

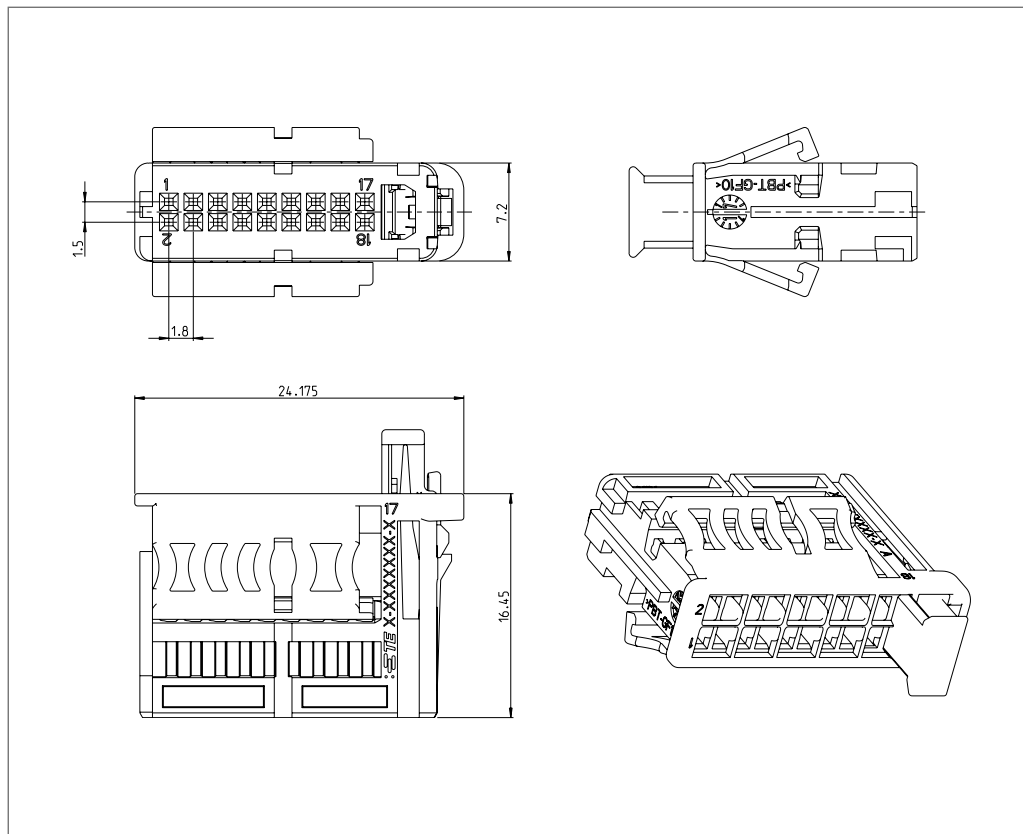
- No. of Positions:**
16 Positions
- Housing Material:**
PBT-GF10
- Wire Size Range:**
0.13-0.35 mm²
- Interface:**
114-94000-20
- Product Specification:**
108-94288
- Application Specification:**
114-94491

| Keying Options | Housing Color | Receptacle Housing | CPA | Part Numbers | | Contacts |
|----------------|---------------|---------------------------|-----|--------------------|------------|-------------------------------|
| | | | | Mating PCB Headers | | |
| | | | | Right Angle | Vertical | |
| Coding A | Black | 2312116-1 | Yes | 2317513-1* | 2317533-1* | x- 1703930 -x |
| Coding B | Natural | 2312116-2 | | 2317513-2* | 2317533-2* | |
| Coding C | Blue | 2312116-3* | | 2317513-3* | 2317533-3* | |
| Coding D | Violet | 2312116-4* | | 2317513-4* | 2317533-4* | |

* on request



Receptacle Housings - 2 Row Design - 18 Pos with CPA



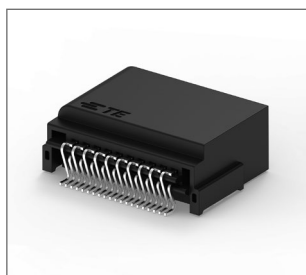
Technical Features

- No. of Positions:**
18 Positions
- Housing Material**
PBT-GF10
- Wire Size Range:**
0.13-0.35 mm²
- Interface:**
114-94000-20
- Product Specification:**
108-94288
- Application Specification:**
114-94491

| Keying Options | Housing Color | Part Numbers | | | | |
|----------------|---------------|---------------------------|-----|---------------------------|------------|-------------------------------|
| | | Receptacle Housing | CPA | Mating PCB Headers | | Contacts |
| | | | | Right Angle | Vertical | |
| Coding A | Black | 2312118-1 | Yes | 2317515-1 | 2317535-1* | x- 1703930 -x |
| Coding B | Natural | 2312118-2 | | 2317515-2 | 2317535-2* | |
| Coding C | Blue | 2312118-3* | | 2317515-3* | 2317535-3* | |
| Coding D | Violet | 2312118-4* | | 2317515-4* | 2317535-4* | |

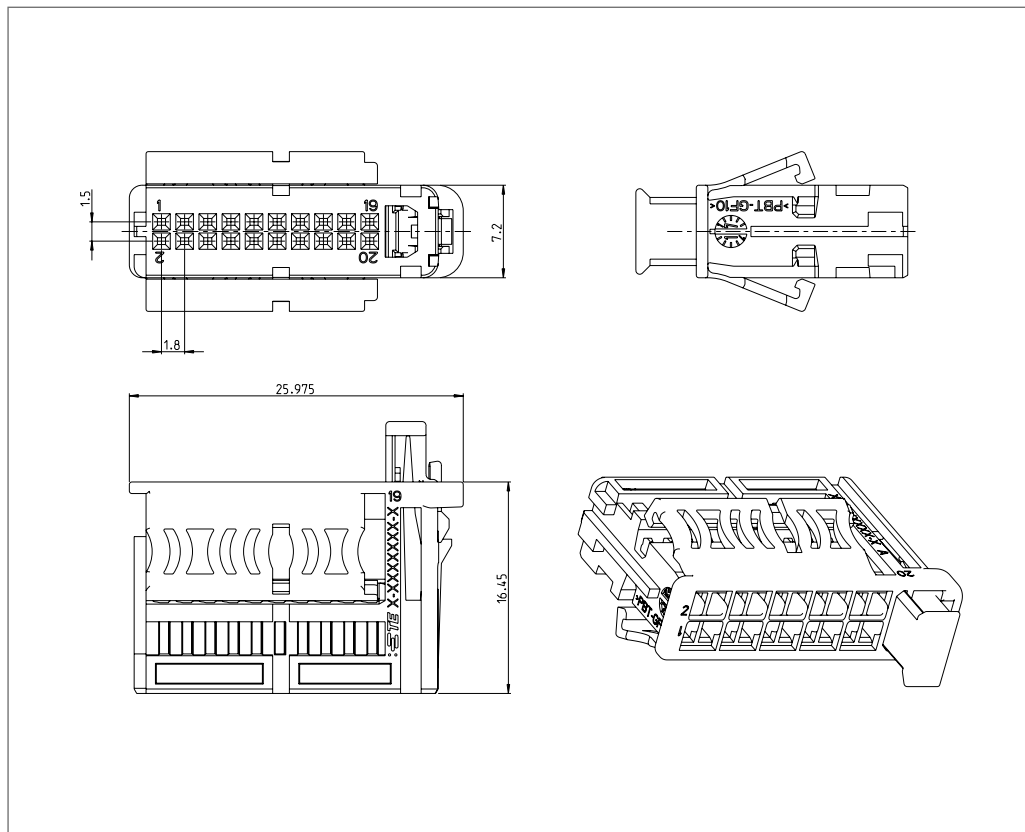
* on request

Mating PCB Header
Right Angle see page 106





Receptacle Housings - 2 Row Design - 20 Pos with CPA



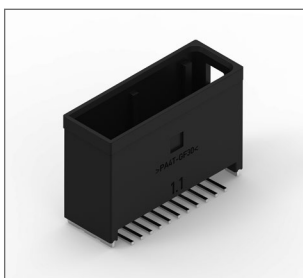
Technical Features

- No. of Positions:**
20 Positions
- Housing Material:**
PBT-GF10
- Wire Size Range:**
0.13-0.35 mm²
- Interface:**
114-94000-20
- Product Specification:**
108-94288
- Application Specification:**
114-94491

| Keying Options | Housing Color | Receptacle Housing | CPA | Part Numbers | | Contacts |
|----------------|---------------|---------------------------|-----|--------------------|---------------------------|-------------------------------|
| | | | | Mating PCB Headers | | |
| | | | | Right Angle | Vertical | |
| Coding A | Black | 2312120-1 | Yes | 2317517-1* | 2317537-1 | x- 1703930 -x |
| Coding B | Natural | 2312120-2 | | 2317517-2* | 2317537-2 | |
| Coding C | Blue | 2312120-3* | | 2317517-3* | 2317535-3* | |
| Coding D | Violet | 2312120-4* | | 2317517-4* | 2317535-4* | |

* on request

Mating PCB Header
Vertical Angle see page 111





Miniaturization Sealed Housings

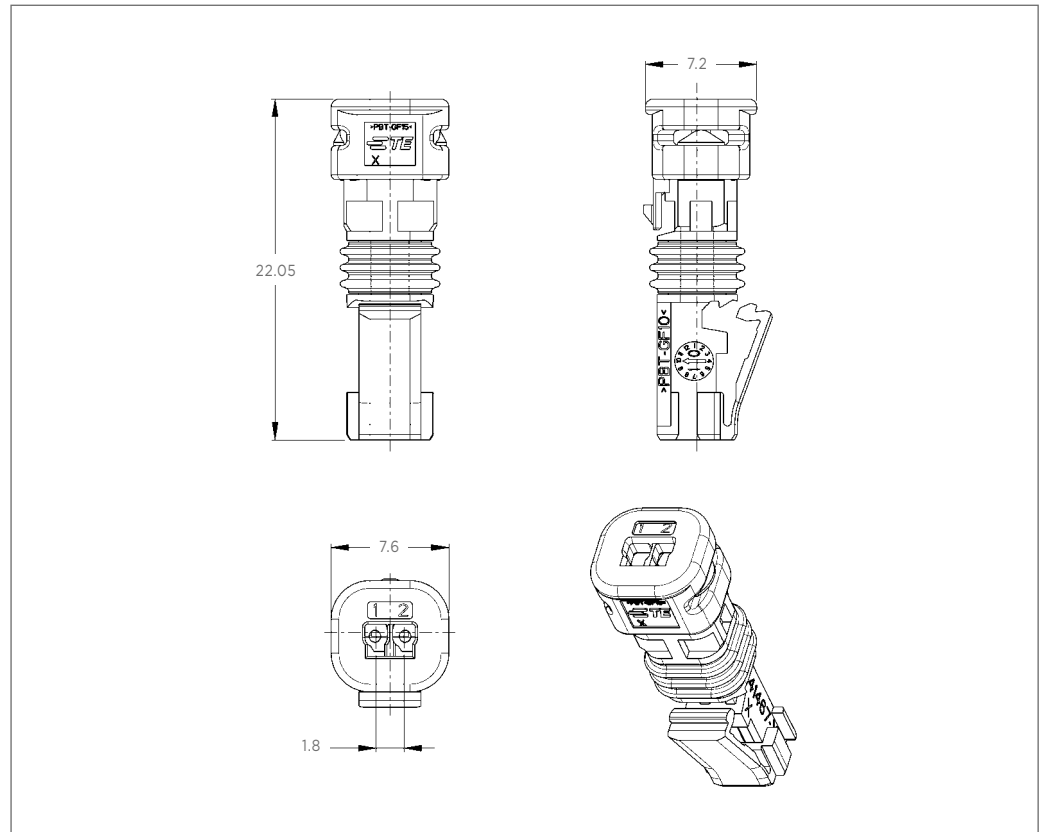
| | |
|--------------------------------------|--|
| Miniaturization | 1.8 mm pin-to-pin pitch |
| Flexibility | 0.13 to 0.35 mm ² compatible wire sizes |
| Automotive-robust Performance | <p>Current capacity of 3A</p> <p>Max. temperature: 170°C (Ag-plated)</p> <p>SG4 vibration grade (sealed applications)</p> <p>Automotive-standards conform</p> <p>Standard automotive interface</p> |
| Wide Portfolio | <p>Available for NanoMQS (locking lance) and MCON 0.50 (clean body)</p> <p>Available in 1- and 2-row versions</p> <p>NanoMQS: 2 up to 8 positions</p> <p>MCON 0.50: 3 up to 12 positions</p> |



Receptacle Housings - 2 Positions

Technical Features

- No. of Positions:**
2 Positions
- Housing Material:**
PBT Glas fibre reinforced
- Wire Size Range:**
0.22 - 0.35mm²
- Product Specification:**
108-94320
- Application Specification:**
114-94174
- Extraction Tool:**
1355968-1



| Keying Options | Housing Color | Part Numbers | | | | | | | |
|----------------|---------------|---------------------------|-------|----------------|-----------------|-----------------------|--------------------|----------|-------------------------------|
| | | Receptacle Housing | Cover | Locking Device | Cover and Lever | Interface Drawing No. | Mating PCB Headers | | Contacts |
| | | | | | | | Right Angle | Vertical | |
| Coding A | Black | 2141467-1 | | | | | | | |
| Coding B | Gray | 2141467-2 | N/A | N/A | N/A | 114-94000-14 | ← | ← | x- 1703930 -x |
| Coding C | Blue | 2141467-3 | | | | | | | |

Receptacle Housings - 4 Positions



Technical Features

No. of Positions:
4 Positions

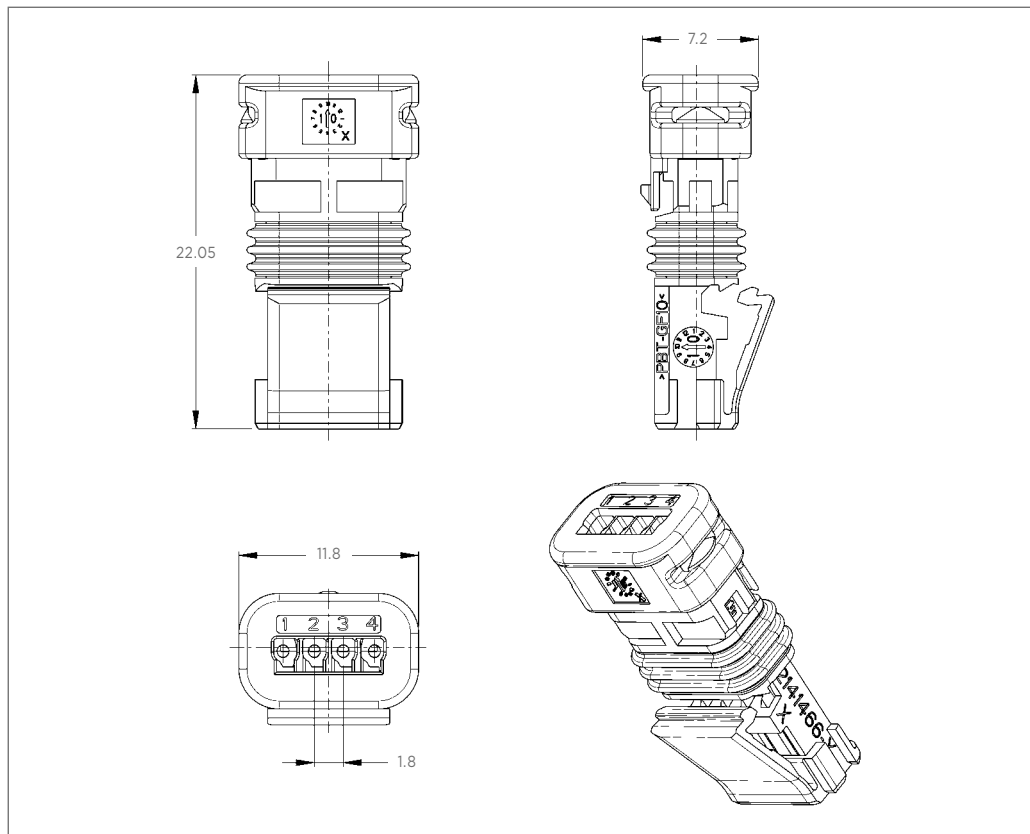
Housing Material:
PBT Glas fibre reinforced

Wire Size Range:
0.22 - 0.35mm²

Product Specification:
108-94320

Application Specification:
114-94174

Extraction Tool:
1355968-1



| Keying Options | Housing Color | Part Numbers | | | | | | | |
|----------------|---------------|---------------------------|-------|----------------|-----------------|----------------|--------------------|----------|-------------------------------|
| | | Receptacle Housing | Cover | Locking Device | Cover and Lever | Interface | Mating PCB Headers | | Contacts |
| | | | | | | | Right Angle | Vertical | |
| Coding A | Black | 2141466-1 | N/A | N/A | N/A | 114-94000-14*) | ← | ← | x- 1703930 -x |
| Coding B | Gray | 2141466-2 | | | | | | | |

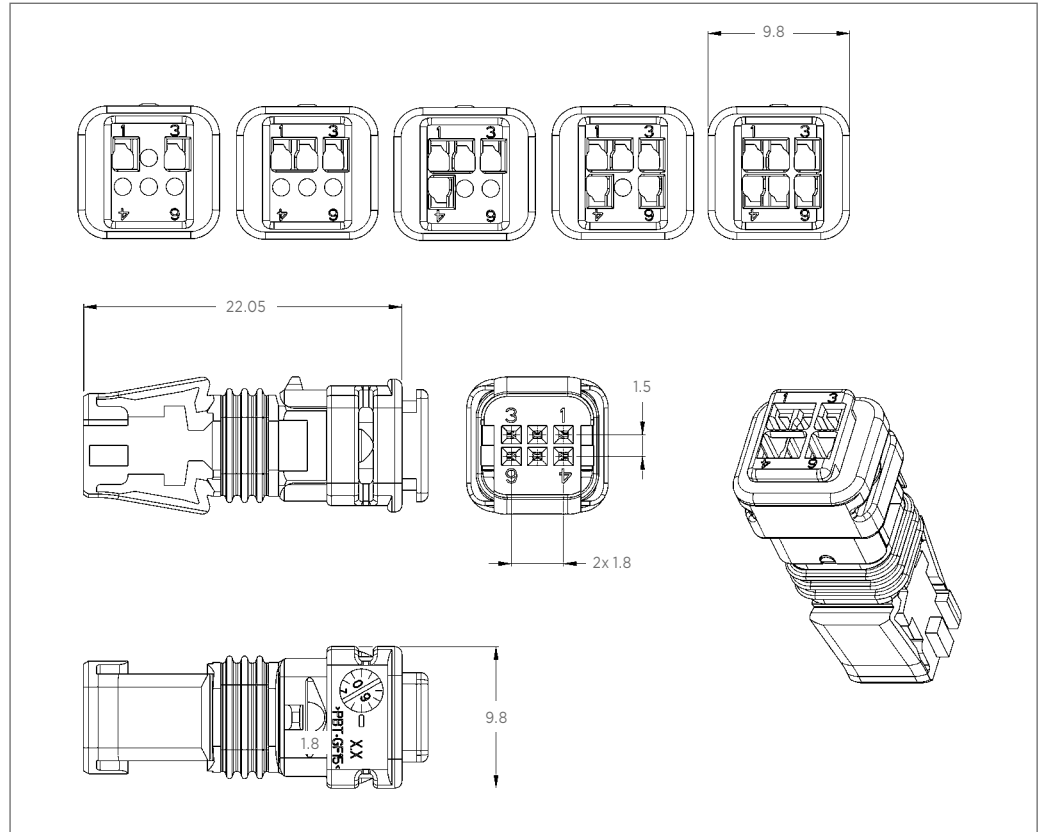
*) Interface Drawing Number



Technical Features

- No. of Positions:**
2-6 Positions
- Housing Material:**
PBT Glas fibre reinforced
- Wire Size Range:**
0.22 - 0.35 mm²
- Product Specification:**
108-94288-4
- Application Specification:**
114-94033
- Extraction Tool:**
1355968-1

Receptacle Housings - 2-6 Positions



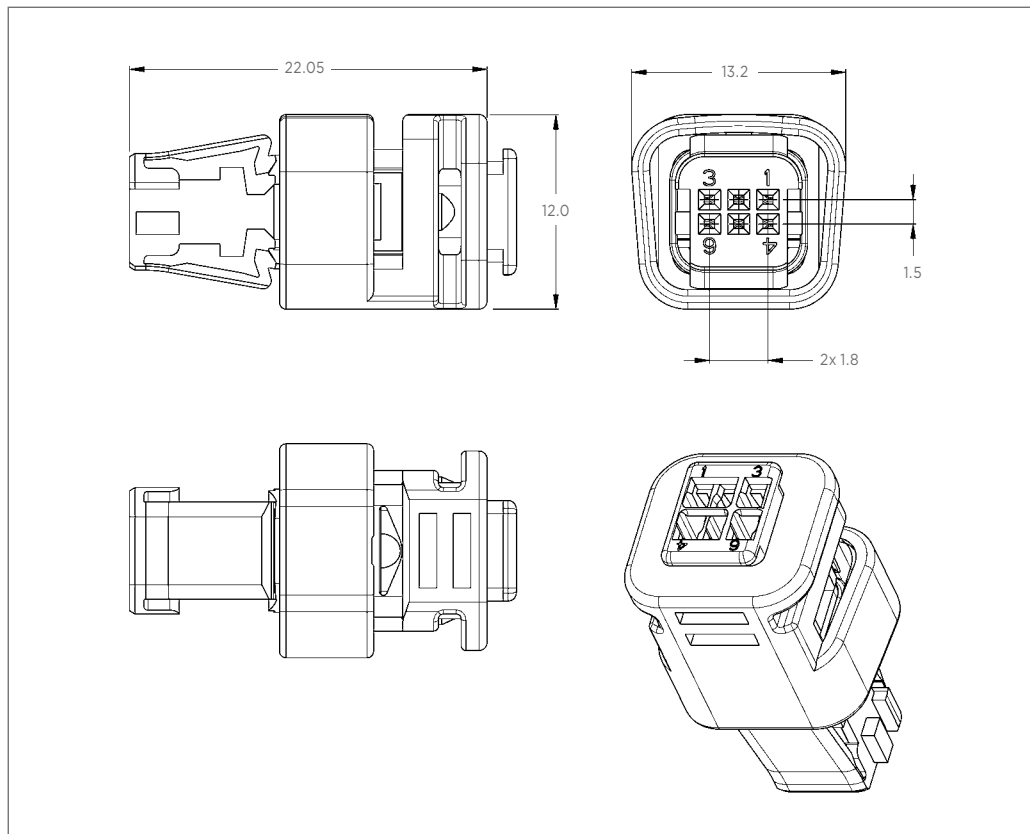
| No. of Positions | Keying Options | Housing Color | Part Numbers | | | | | | Mating PCB Headers | | Contacts |
|------------------|----------------|---------------|-----------------------------|-------|----------------|-----------------|-----------------------|-------------|--------------------|------------------------------|----------|
| | | | Receptacle Housing | Cover | Locking Device | Cover and Lever | Interface Drawing No. | Right Angle | Vertical | | |
| 6 | Coding A | Black | 2112594-1 | | | | | | | | |
| | Coding B | Gray | 2112594-2 | N/A | N/A | N/A | | | | | |
| | Coding C | Blue | 2112594-3 | | | | | | | | |
| 5 | Coding A | Black | 5-2112594-1 | | | | | | | | |
| | Coding B | Gray | 5-2112594-2 | N/A | N/A | N/A | | | | | |
| | Coding C | Blue | 5-2112594-3 | | | | | | | | |
| 4 | Coding A | Black | 4-2112594-1 | | | | | | | | |
| | Coding B | Gray | 4-2112594-2 | N/A | N/A | N/A | 114-94000-18 | ← | ← | x- 1703930-x | |
| | Coding C | Blue | 4-2112594-3 | | | | | | | | |
| 3 | Coding A | Black | 3-2112594-1 | | | | | | | | |
| | Coding B | Gray | 3-2112594-2 | N/A | N/A | N/A | | | | | |
| | Coding C | Blue | 3-2112594-3 | | | | | | | | |
| 2 | Coding A | Black | 2-2112594-1 | | | | | | | | |
| | Coding B | Gray | 2-2112594-2 | N/A | N/A | N/A | | | | | |
| | Coding C | Blue | 2-2112594-3 | | | | | | | | |

Receptacle Housings - 6 Positions

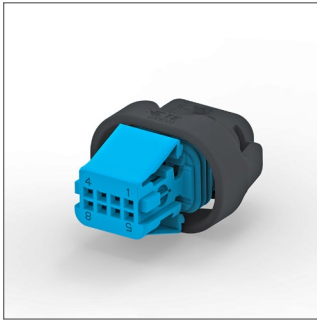


Technical Features

- No. of Positions:**
6 Positions
- Housing Material:**
PBT Glas fibre reinforced
- Wire Size Range:**
0.22 - 0.35 mm²
- Product Specification:**
108-94288-4
- Application Specification:**
114-94033
- Extraction Tool:**
1355968-1



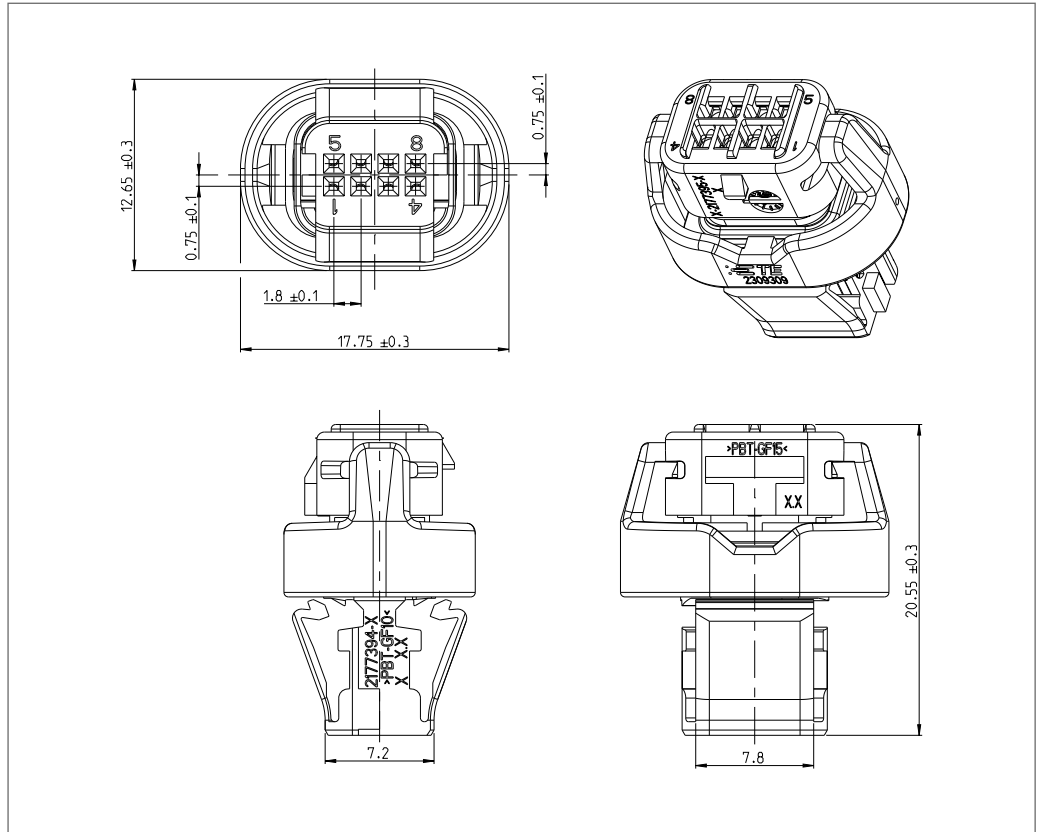
| Keying Options | Housing Color | Part Numbers | | | | | | | |
|----------------|---------------|---------------------------|-------|----------------|-----------------|-----------------------|--------------------|----------|-------------------------------|
| | | Receptacle Housing | Cover | Locking Device | Cover and Lever | Interface Drawing No. | Mating PCB Headers | | Contacts |
| | | | | | | | Right Angle | Vertical | |
| Coding A | Black | 2112593-1 | N/A | N/A | N/A | 114-94000-18 | ← | ← | x- 1703930 -x |
| Coding B | Gray | 2112593-2 | | | | | | | |



Receptacle Housings - 8 Positions

Technical Features

- No. of Positions:**
8 Positions
- Housing Material:**
PBT-GF10
- Wire Size Range:**
0.13 - 0.35 mm²
- Interface:**
208-18604-12
- Product Specification:**
108-94288-4
- Application Specification:**
114-94033



| Keying Options | Housing Color | Part Numbers | | | | | Mating PCB Headers | | Contacts |
|----------------|---------------|---------------------------|-------|----------------|-----------------|-----------------------|--------------------|----------|------------------------------|
| | | Receptacle Housing | Cover | Locking Device | Cover and Lever | Interface Drawing No. | Right Angle | Vertical | |
| Coding C | Blue | 2309309-3 | N/A | N/A | N/A | 208-18064-12 | ← | ← | x- 1703930-x |

Receptacle Housings - 1 Row Design - 3 Positions



Technical Features

No. of Positions:
3 Positions

Housing Material:
PA66-GF30

Wire Size Range:
0.13 - 0.35 mm²

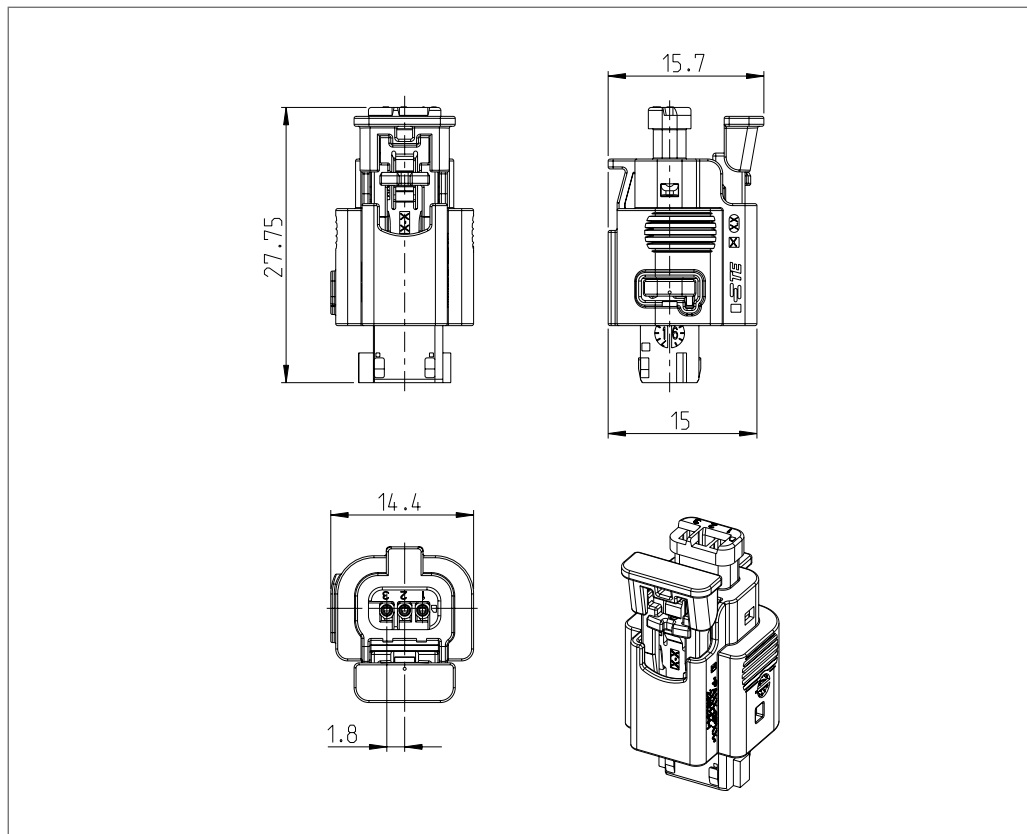
Interface:
208-18008

Temperature Range:
-40°C ... +150°C

Extraction Tool:
Retainer: 2-1579028-6
Terminal: 8-1579007-9 and
2-1579028-8

Product Specification:
108-94610

Application Specification:
114-94496

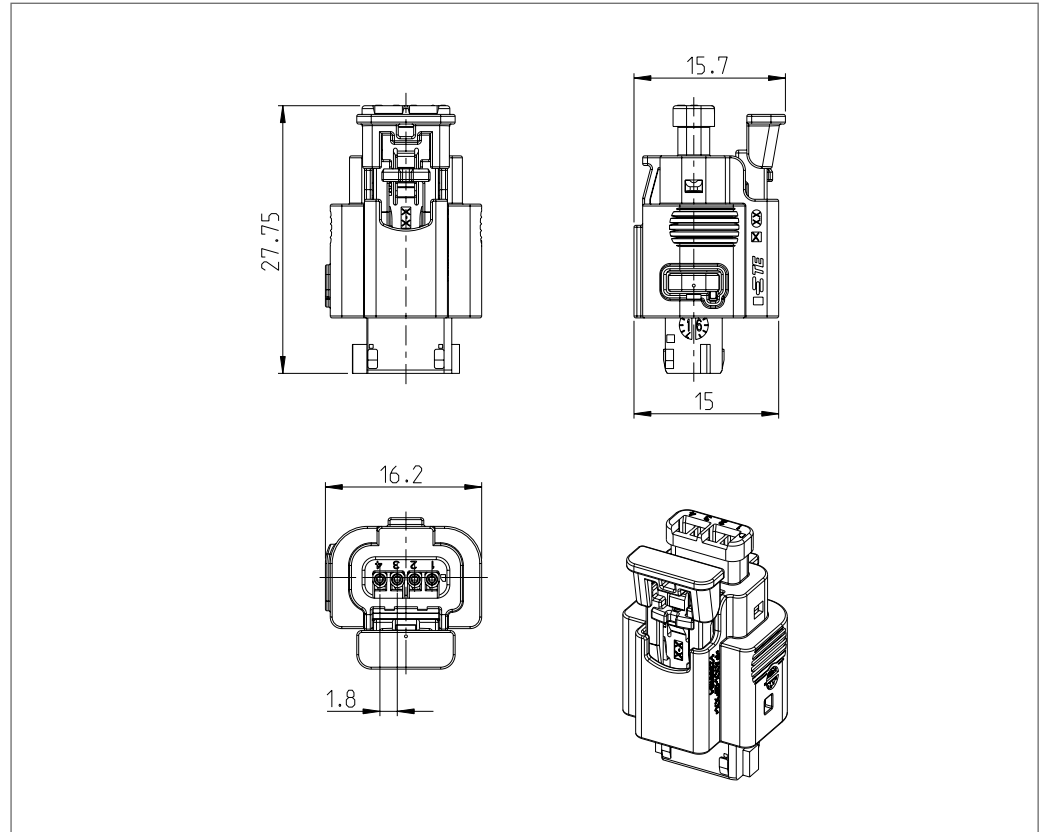


| Keying Options | Housing Color | Part Numbers | | | | | |
|----------------|---------------|---------------------------|---------------------------|-----------------------|--------------------|----------|--|
| | | Receptacle Housing | Fitting Blind Plugs | Interface Drawing No. | Mating PCB Headers | | Contacts |
| | | | | | Right Angle | Vertical | |
| Coding A | Black | 2316210-1 | | | | | |
| Coding B | Natural | 2316210-2 | | | | | |
| Coding C | Blue | 2316210-3 * | | | | | |
| Coding D | Green | 2316210-4 * | 2236139-1 | 208-18008 | ← | ← | x- 2177908 -x x- 2177909 -x |
| Coding E | Brown | 2316210-5 * | | | | | |
| Coding F | Gray | 2316210-6 * | | | | | |

* on request



Receptacle Housings - 1 Row Design - 4 Positions



Technical Features

- No. of Positions:**
4 Positions
- Housing Material:**
PA66-GF30
- Wire Size Range:**
0.13 - 0.35 mm²
- Interface:**
208-18008
- Temperature Range:**
-40°C ... +150°C
- Extraction Tool:**
Retainer: 2-1579028-6
Terminal: 8-1579007-9 and
2-1579028-8
- Product Specification:**
108-94610
- Application Specification:**
114-94496

| Keying Options | Housing Color | Part Numbers | | | | | |
|----------------|---------------|---------------------------|---------------------------|-----------------------|---|----------|--|
| | | Receptacle Housing | Fitting Blind Plugs | Interface Drawing No. | Mating PCB Headers Right Angle Vertical | Contacts | |
| Coding A | Black | 2316284-1 | | | | | |
| Coding B | Natural | 2316284-2 | | | | | |
| Coding C | Blue | 2316284-3* | | | | | |
| Coding D | Green | 2316284-4* | 2236139-1 | 208-18008 | ← | ← | X- 2177908-X X- 2177909-X |
| Coding E | Brown | 2316284-5* | | | | | |
| Coding F | Gray | 2316284-6* | | | | | |

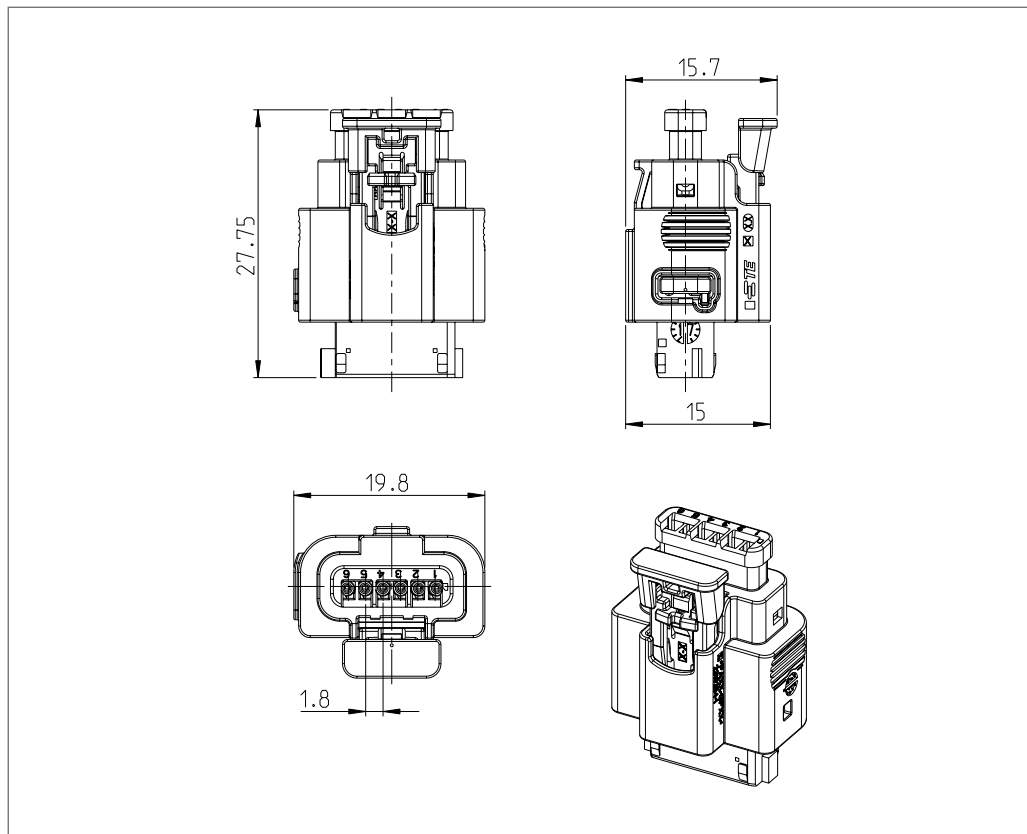
* on request

Receptacle Housings - 1 Row Design - 6 Positions



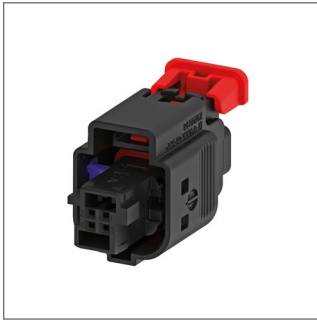
Technical Features

- No. of Positions:**
6 positions
- Housing Material:**
PA66-GF30
- Wire Size Range:**
0.13 - 0.35 mm²
- Interface:**
208-18008
- Temperature Range:**
-40°C ... +150°C
- Extraction Tool:**
Retainer: 2-1579028-6
Terminal: 8-1579007-9 and
2-1579028-8
- Product Specification:**
108-94610
- Application Specification:**
114-94496

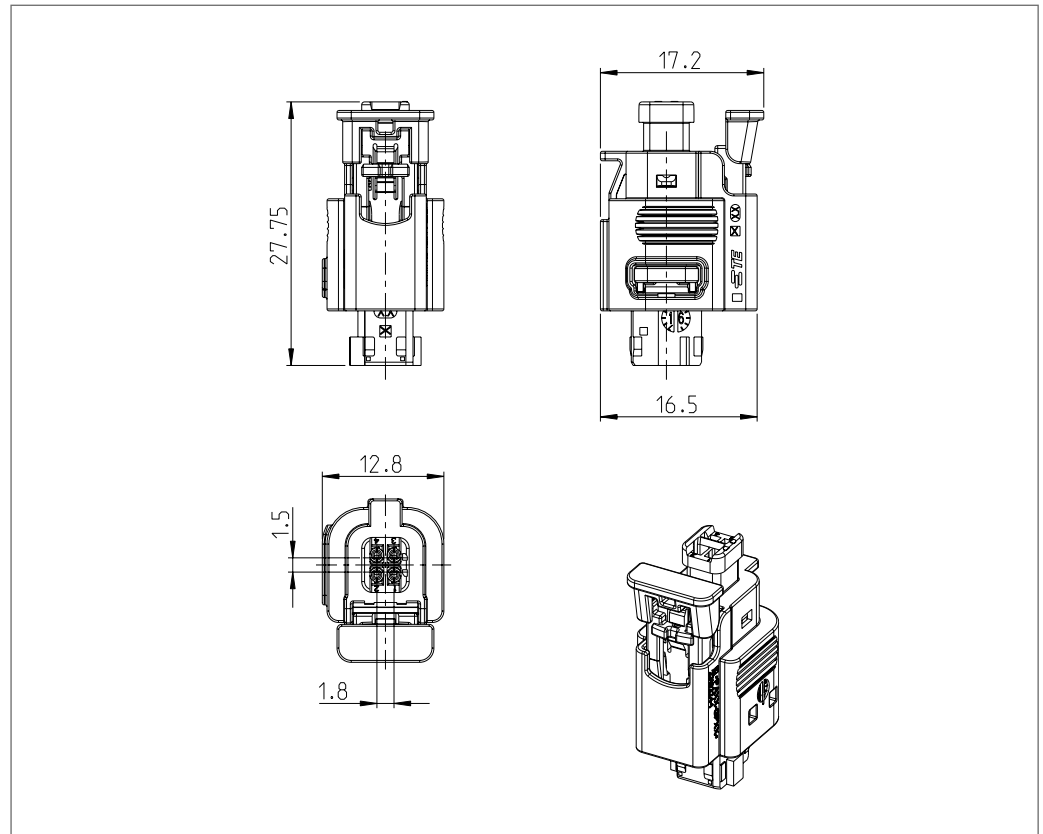


| Keying Options | Housing Color | Part Numbers | | | | | | |
|----------------|---------------|---------------------------|---------------------------|-----------------------|--------------------|----------|--|--|
| | | Receptacle Housing | Fitting Blind Plugs | Interface Drawing No. | Mating PCB Headers | | Contacts | |
| | | | | | Right Angle | Vertical | | |
| Coding A | Black | 2316218-1 | | | | | | |
| Coding B | Natural | 2316218-2 | | | | | | |
| Coding C | Blue | 2316218-3 * | | | | | | |
| Coding D | Green | 2316218-4 * | 2236139-1 | 208-18008 | ← | ← | x- 2177908 -x x- 2177909 -x | |
| Coding E | Brown | 2316218-5 * | | | | | | |
| Coding F | Gray | 2316218-6 * | | | | | | |

* on request



Receptacle Housings - 2 Row Design - 4 Positions



Technical Features

- No. of Positions:**
4 positions
- Housing Material:**
PA66-GF30
- Wire Size Range:**
0.13 - 0.35 mm²
- Interface:**
208-18009
- Temperature Range:**
-40°C ... +150°C
- Extraction Tool:**
Retainer: 5-1579028-1
Terminal: 8-1579007-9 and
2-1579028-8
- Product Specification:**
108-94610
- Application Specification:**
114-94496

| Keying Options | Housing Color | Part Numbers | | | | | | |
|----------------|---------------|---------------------------|---------------------------|-----------------------|--------------------|----------|--|--|
| | | Receptacle Housing | Fitting Blind Plugs | Interface Drawing No. | Mating PCB Headers | | Contacts | |
| | | | | | Right Angle | Vertical | | |
| Coding A | Black | 2318200-1 | | | | | | |
| Coding B | Natural | 2318200-2 | | | | | | |
| Coding C | Blue | 2318200-3* | | | | | | |
| Coding D | Green | 2318200-4* | 2236139-1 | 208-18009 | ← | ← | X- 2177908 -X X- 2177909 -X | |
| Coding E | Brown | 2318200-5* | | | | | | |
| Coding F | Gray | 2318200-6* | | | | | | |

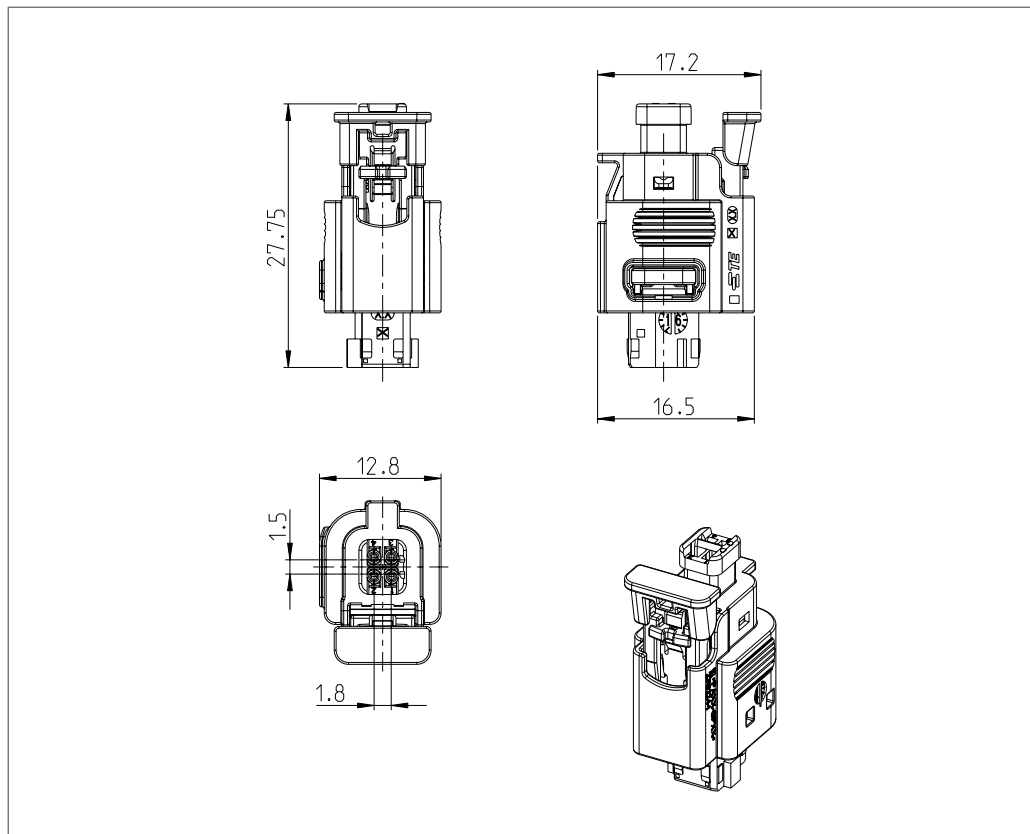
* on request

Receptacle Housings - 2 Row Design - 6 Positions



Technical Features

- No. of Positions:**
6 positions
- Housing Material:**
PA66-GF30
- Wire Size Range:**
0.13 - 0.35 mm²
- Interface:**
208-18009
- Temperature Range:**
-40°C ... +150°C
- Extraction Tool:**
Retainer: 5-1579028-1
Terminal: 8-1579007-9 and
2-1579028-8
- Product Specification:**
108-94610
- Application Specification:**
114-94496



| Keying Options | Housing Color | Part Numbers | | | | | |
|----------------|---------------|---------------------------|---------------------------|-----------------------|--------------------|----------|--|
| | | Receptacle Housing | Fitting Blind Plugs | Interface Drawing No. | Mating PCB Headers | | Contacts |
| | | | | | Right Angle | Vertical | |
| Coding A | Black | 2318300-1 | | | | | |
| Coding B | Natural | 2318300-2 | | | | | |
| Coding C | Blue | 2318300-3* | | | | | |
| Coding D | Green | 2318300-4* | 2236139-1 | 208-18009 | ← | ← | x- 2177908 -x x- 2177909 -x |
| Coding E | Brown | 2318300-5* | | | | | |
| Coding F | Gray | 2318300-6* | | | | | |

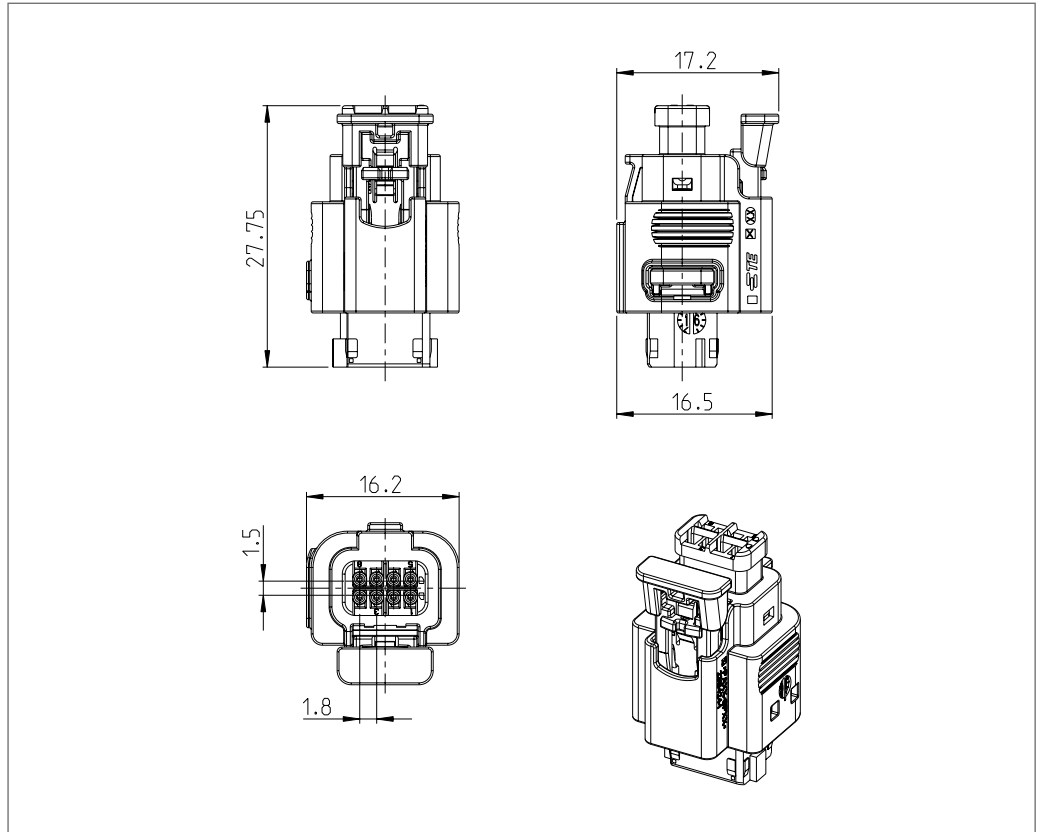
* on request



Technical Features

- No. of Positions:**
8 positions
- Housing Material:**
PA66-GF30
- Wire Size Range:**
0.13 - 0.35 mm²
- Interface:**
208-18009
- Temperature Range:**
-40°C ... +150°C
- Extraction Tool:**
Retainer: 5-1579028-1
Terminal: 8-1579007-9 and
2-1579028-8
- Product Specification:**
108-94610
- Application Specification:**
114-94496

Receptacle Housings - 2 Row Design - 8 Positions



| Keying Options | Housing Color | Part Numbers | | | | | |
|----------------|---------------|---------------------------|---------------------------|-----------------------|---|----------|--|
| | | Receptacle Housing | Fitting Blind Plugs | Interface Drawing No. | Mating PCB Headers Right Angle Vertical | Contacts | |
| Coding A | Black | 2318400-1 | | | | | |
| Coding B | Natural | 2318400-2 | | | | | |
| Coding C | Blue | 2318400-3* | | | | | |
| Coding D | Green | 2318400-4* | 2236139-1 | 208-18009 | ← | ← | X- 2177908 -X X- 2177909 -X |
| Coding E | Brown | 2318400-5* | | | | | |
| Coding F | Gray | 2318400-6* | | | | | |

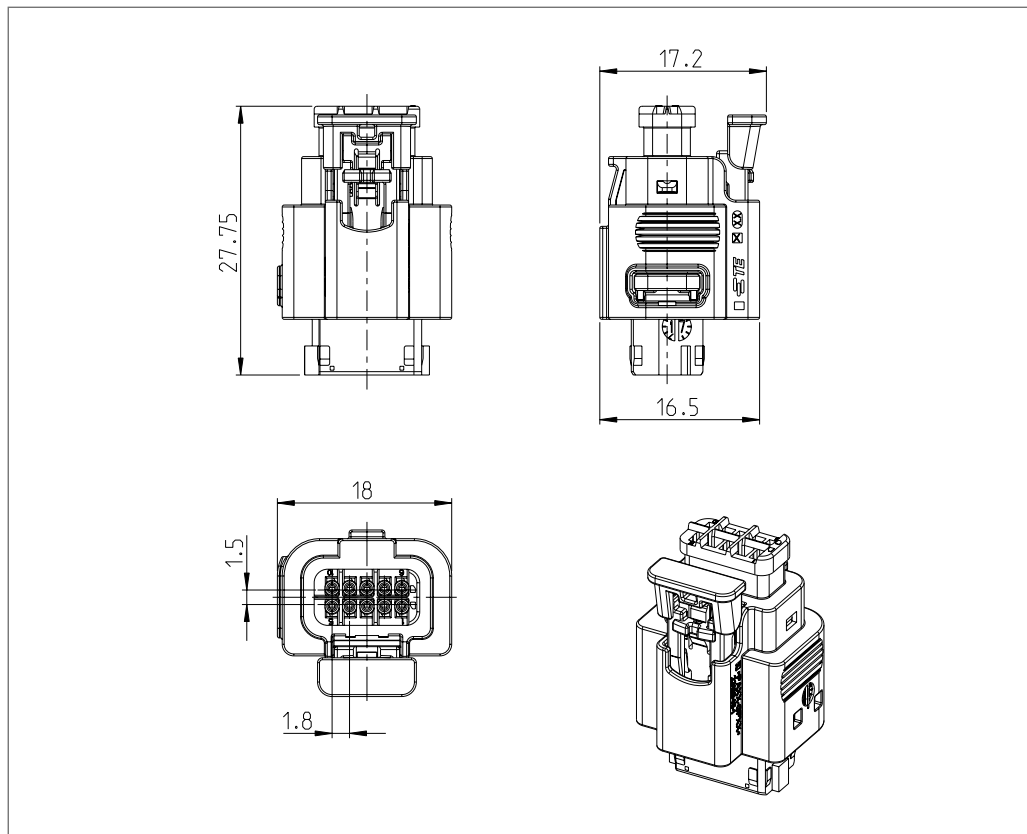
* on request

Receptacle Housings - 2 Row Design - 10 Positions



Technical Features

- No. of Positions:**
10 positions
- Housing Material:**
PA66-GF30
- Wire Size Range:**
0.13 - 0.35 mm²
- Interface:**
208-18009
- Temperature Range:**
-40°C ... +150°C
- Extraction Tool:**
Retainer: 5-1579028-1
Terminal: 8-1579007-9 and
2-1579028-8
- Product Specification:**
108-94610
- Application Specification:**
114-94496

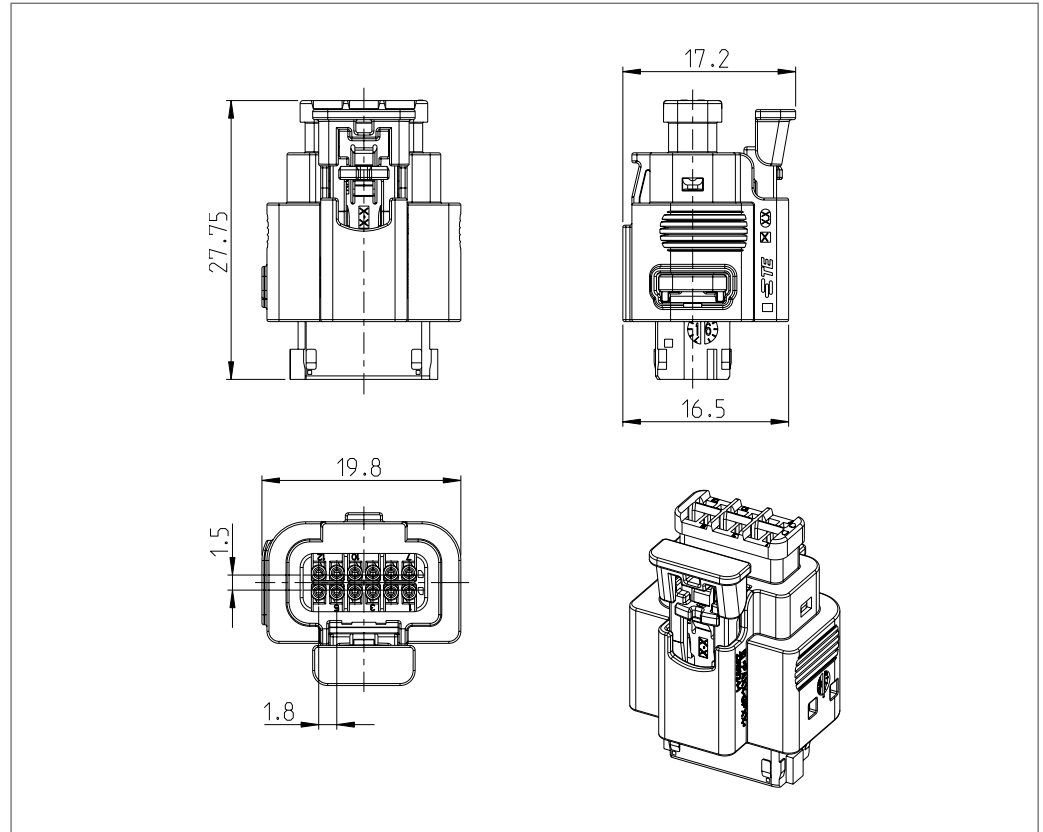


| Keying Options | Housing Color | Part Numbers | | | | | |
|----------------|---------------|---------------------------|---------------------------|-----------------------|--------------------|----------|--|
| | | Receptacle Housing | Fitting Blind Plugs | Interface Drawing No. | Mating PCB Headers | | Contacts |
| | | | | | Right Angle | Vertical | |
| Coding A | Black | 2318935-1 | | | | | |
| Coding B | Natural | 2318935-2 | | | | | |
| Coding C | Blue | 2318935-3* | | | | | |
| Coding D | Green | 2318935-4* | 2236139-1 | 208-18009 | ← | ← | x- 2177908 -x x- 2177909 -x |
| Coding E | Brown | 2318935-5* | | | | | |
| Coding F | Gray | 2318935-6* | | | | | |

* on request



Receptacle Housings - 2 Row Design - 12 Positions



Technical Features

- No. of Positions:**
12 positions
- Housing Material:**
PA66-GF30
- Wire Size Range:**
0.13 - 0.35 mm²
- Interface:**
208-18009
- Temperature Range:**
-40°C ... +150°C
- Extraction Tool:**
Retainer: 5-1579028-1
Terminal: 8-1579007-9 and
2-1579028-8
- Product Specification:**
108-94610
- Application Specification:**
114-94496

| Keying Options | Housing Color | Part Numbers | | | | | | |
|----------------|---------------|---------------------------|---------------------------|-----------------------|--------------------|----------|--|--|
| | | Receptacle Housing | Fitting Blind Plugs | Interface Drawing No. | Mating PCB Headers | | Contacts | |
| | | | | | Right Angle | Vertical | | |
| Coding A | Black | 2318600-1 | | | | | | |
| Coding B | Natural | 2318600-2 | | | | | | |
| Coding C | Blue | 2318600-3* | | | | | | |
| Coding D | Green | 2318600-4* | 2236139-1 | 208-18009 | ← | ← | X- 2177908-X X- 2177909-X | |
| Coding E | Brown | 2318600-5* | | | | | | |
| Coding F | Gray | 2318600-6* | | | | | | |

* on request



Miniaturization Headers

Miniaturization

1.8 mm pin-to-pin pitch

Small pitch saves ca. 50% of PCB space in comparison to 0.63 connectors

Patented S-bended pins of SMT headers can save 30% of PCB space in comparison to other miniaturized headers in the market

Flexibility

Available in Pin-In Paste (PiP) and Surface-Mount Technology (SMT) versions

Side-latch versions:

Common interface for both with- and without CPA connectors

Automotive-robust Performance

Reflow-process compatible

SG2 vibration grade (unsealed applications)

Automotive-standards conform

Standard automotive interface

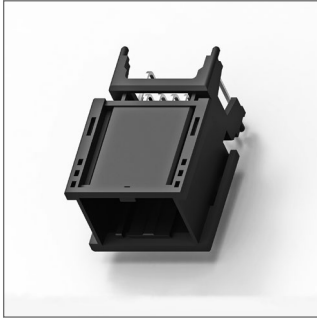
Wide Portfolio

Available in top- and side latch versions

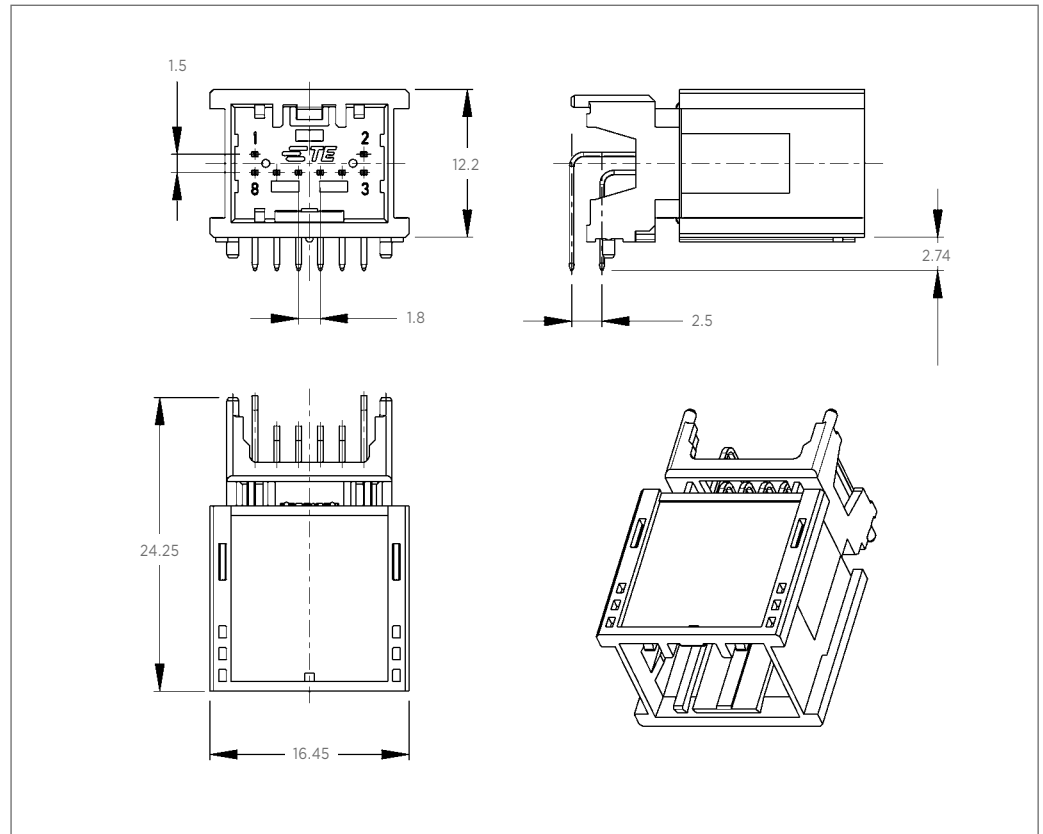
Available in 1- and 2-row versions

Top-latch: 8, 12, 20 and 32 positions

Side-latch: 2 up to 20 positions



PCB Headers - Right Angle - 8 Positions



Technical Features

- No. of Positions:**
8 Positions
- Housing Material:**
LCP, Glas fibre reinforced
- Material and Finish:**
CuMg01, Sn over Ni
- Product Specification:**
108-94313
- Application Specification:**
114-94160

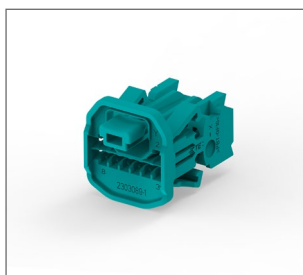
| Keying Options | Housing Color | Part Numbers | | | | |
|----------------|---------------|-----------------------------|-------|-------|-------------------|---------------------------|
| | | PCB Header Right Angle | Cover | Lever | Retainer Housings | Mating Receptacle Housing |
| Coding A | Black | 2177372-3 | | | | 2177586-1 |
| Coding B | Natural | 1-2177372-3 | N/A | N/A | N/A | 2177586-2 |
| Coding C | Gray | 2-2177372-3 * | | | | 2177586-3 * |
| Coding D | Black | 3-2177372-3 * | | | | 2177586-4 * |

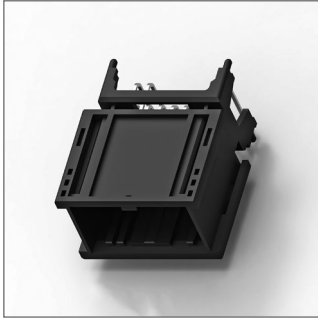
* on request

Mating Receptacle Housing
see page 20

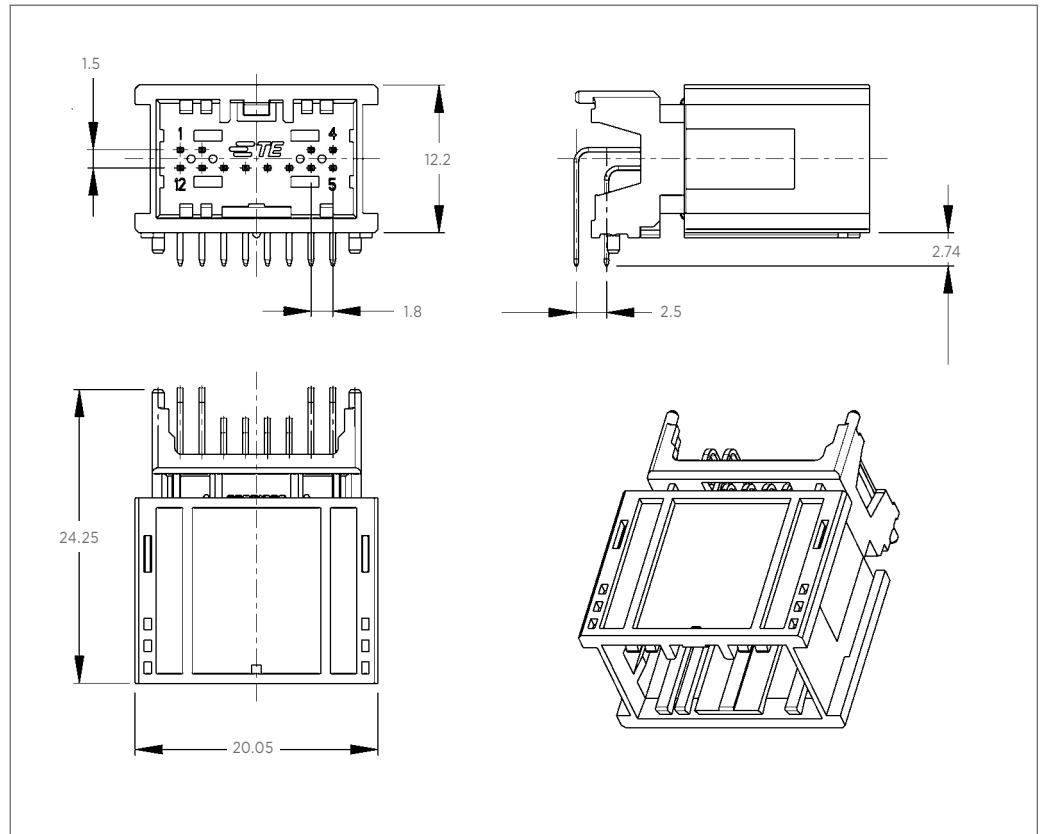


Mating FFC Receptacle Housing
see page 24





PCB Headers - Right Angle - 12 Positions



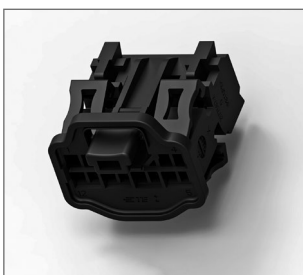
Technical Features

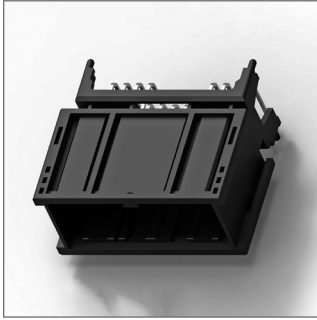
- No. of Positions:**
12 Positions
- Housing Material:**
LCP, Glas fibre reinforced
- Material and Finish:**
CuMg01, Sn over Ni
- Product Specification:**
108-94313
- Application Specification:**
114-94160

| Keying Options | Housing Color | Part Numbers | | | | |
|----------------|---------------|-----------------------------|-------|-------|-------------------|---------------------------|
| | | PCB Header Right Angle | Cover | Lever | Retainer Housings | Mating Receptacle Housing |
| Coding A | Black | 2177370-3 | | | | 2177587-1 |
| Coding B | Natural | 1-2177370-3 | N/A | N/A | N/A | 2177587-2 |
| Coding C | Gray | 2-2177370-3* | | | | 2177587-3* |
| Coding D | Black | 3-2177370-3* | | | | 2177587-4* |

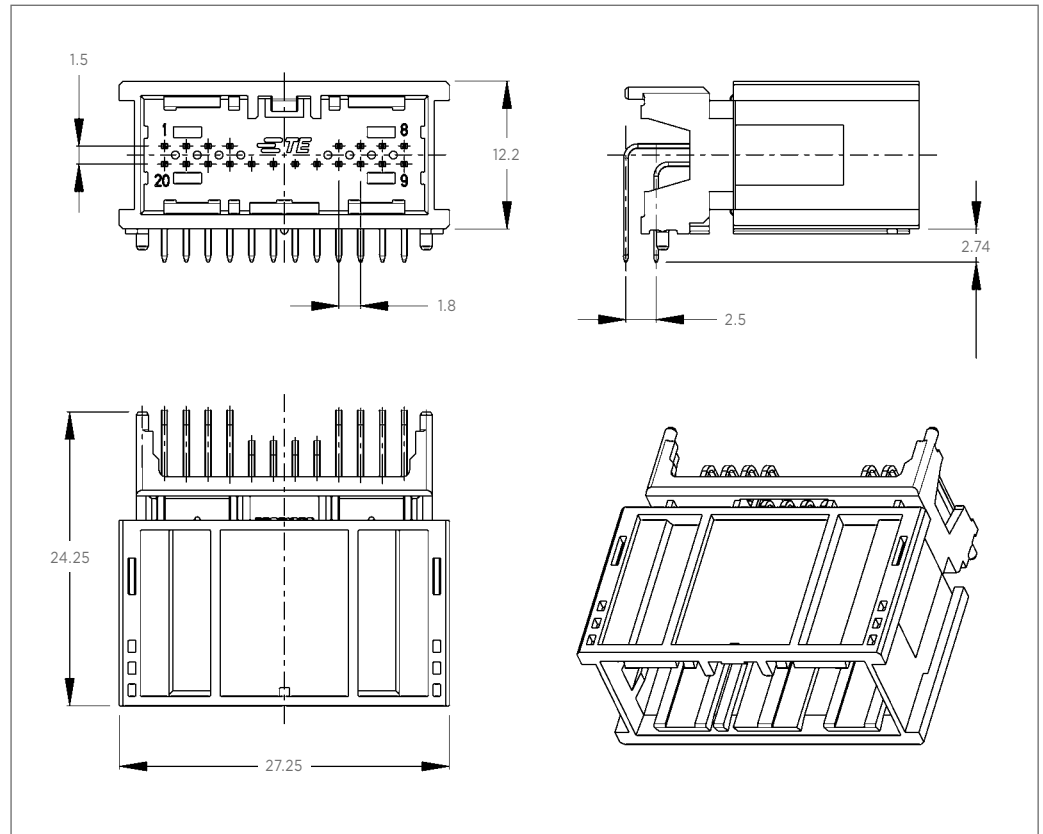
* on request

Mating Receptacle Housing
see page 21





PCB Headers - Right Angle - 20 Positions



Technical Features

- No. of Positions:**
20 Positions
- Housing Material:**
LCP, Glas fibre reinforced
- Material and Finish:**
CuMg01, Sn over Ni
- Product Specification:**
108-94313
- Application Specification:**
114-94160

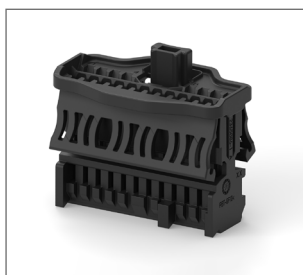
| Keying Options | Housing Color | Part Numbers | | | | |
|----------------|---------------|-----------------------------|-------|-------|-------------------|---------------------------|
| | | PCB Header Right Angle | Cover | Lever | Retainer Housings | Mating Receptacle Housing |
| Coding A | Black | 2177367-3 | | | | 2177588-1 |
| Coding B | Natural | 1-2177367-3 | N/A | N/A | N/A | 2177588-2 |
| Coding C | Gray | 2-2177367-3 * | | | | 2177588-3 * |
| Coding D | Black | 3-2177367-3 * | | | | 2177588-4 * |

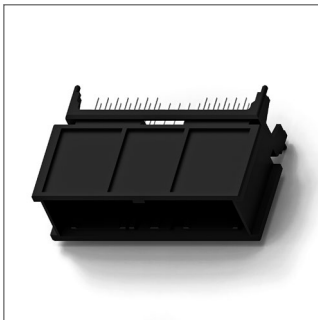
* on request

Mating Receptacle Housing
see page 22

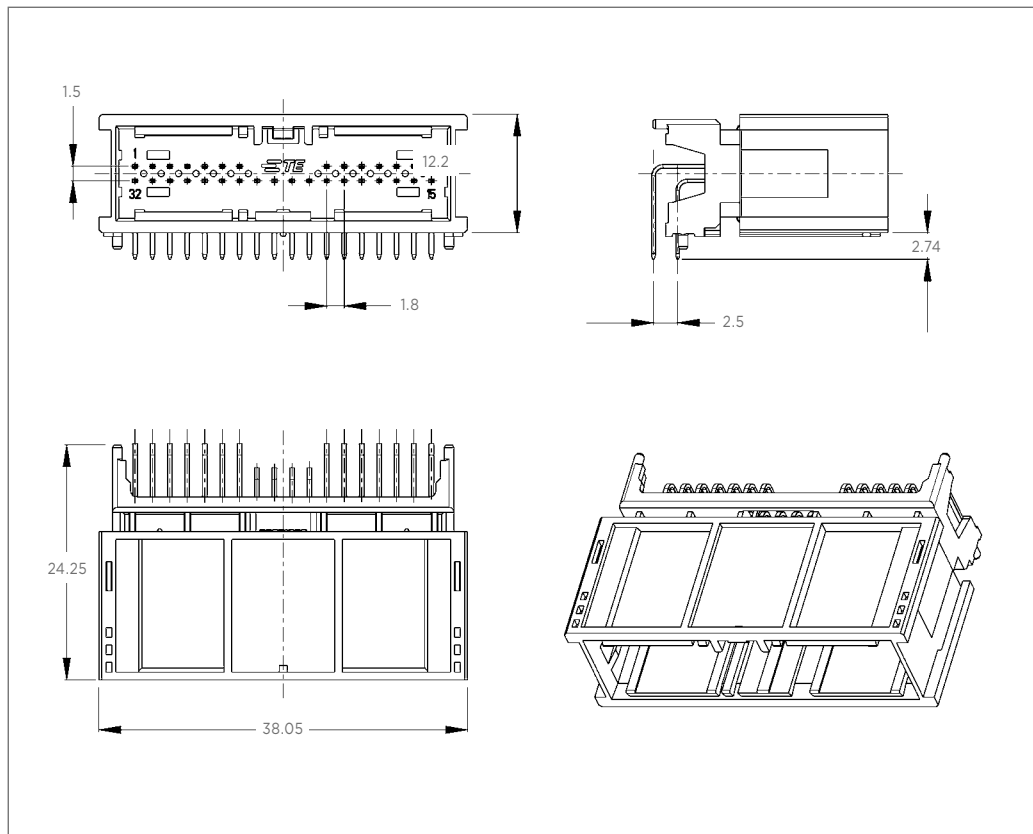


Mating FFC Receptacle Housing
see page 25





PCB Headers - Right Angle - 32 Positions



Technical Features

- No. of Positions:**
32 Positions
- Housing Material:**
LCP, Glas fibre reinforced
- Material and Finish:**
CuMg01, Sn over Ni
- Product Specification:**
108-94313
- Application Specification:**
114-94160

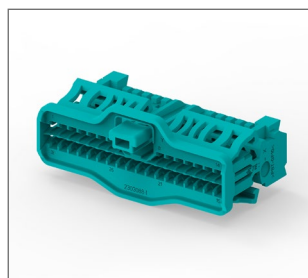
| Keying Options | Housing Color | Part Numbers | | | | |
|----------------|---------------|-----------------------------|-------|-------|-------------------|---------------------------|
| | | PCB Header Right Angle | Cover | Lever | Retainer Housings | Mating Receptacle Housing |
| Coding A | Black | 2177419-3 | | | | 2141576-1 |
| Coding B | Natural | 1-2177419-3 | N/A | N/A | N/A | 2141576-2 |
| Coding C | Gray | 2-2177419-3 | | | | 2141576-3 |
| Coding D | Black | 3-2177419-3* | | | | 2141576-4* |

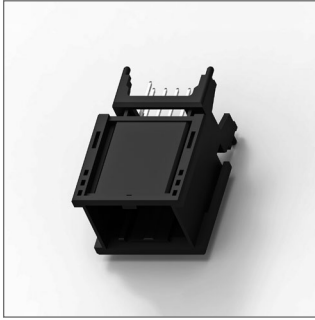
* on request

Mating Receptacle Housing see page 23

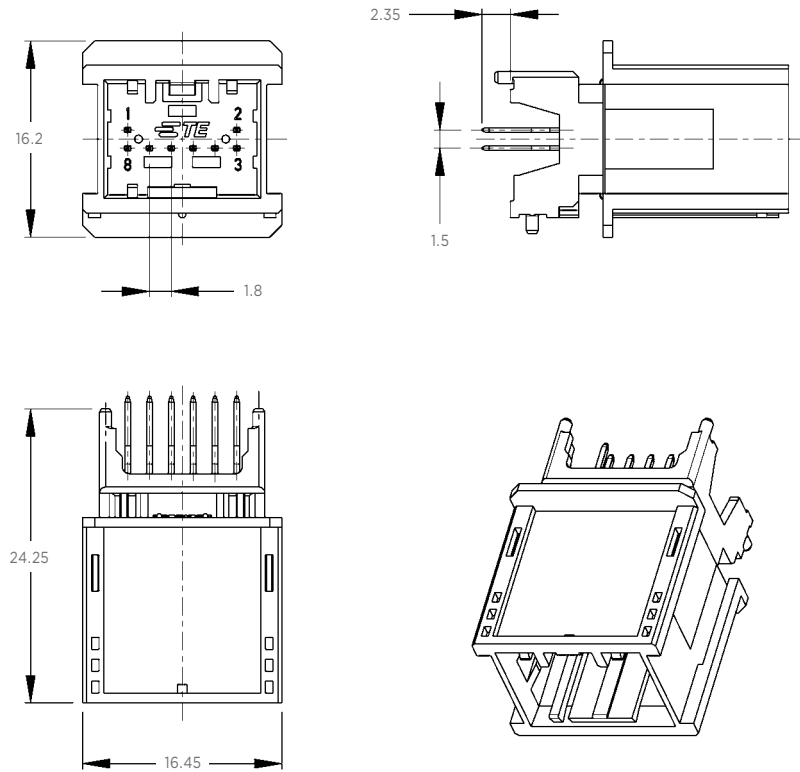


Mating FFC Receptacle Housing see page 26





PCB Headers - Vertical - 8 Positions



Technical Features

No. of Positions:
8 Positions

Housing Material:
LCP, Glas fibre reinforced

Material and Finish:
CuMg01, Sn over Ni

Product Specification:
108-94313

Application Specification:
114-94160

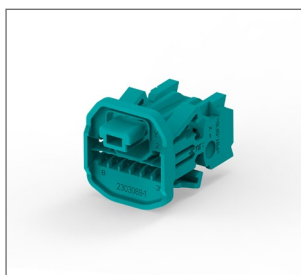
| Keying Options | Housing Color | Part Numbers | | | | |
|----------------|---------------|-----------------------------|-------|-------|-------------------|---------------------------|
| | | PCB Header Vertical | Cover | Lever | Retainer Housings | Mating Receptacle Housing |
| Coding A | Black | 2177768-3 | | | | 2177586-1 |
| Coding B | Natural | 1-2177768-3 | N/A | N/A | N/A | 2177586-2 |
| Coding C | Gray | 2-2177768-3* | | | | 2177586-3* |
| Coding D | Black | 3-2177768-3* | | | | 2177586-4* |

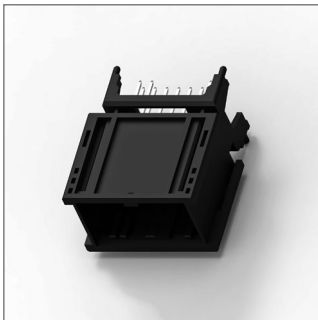
* on request

Mating Receptacle Housing
see page 20

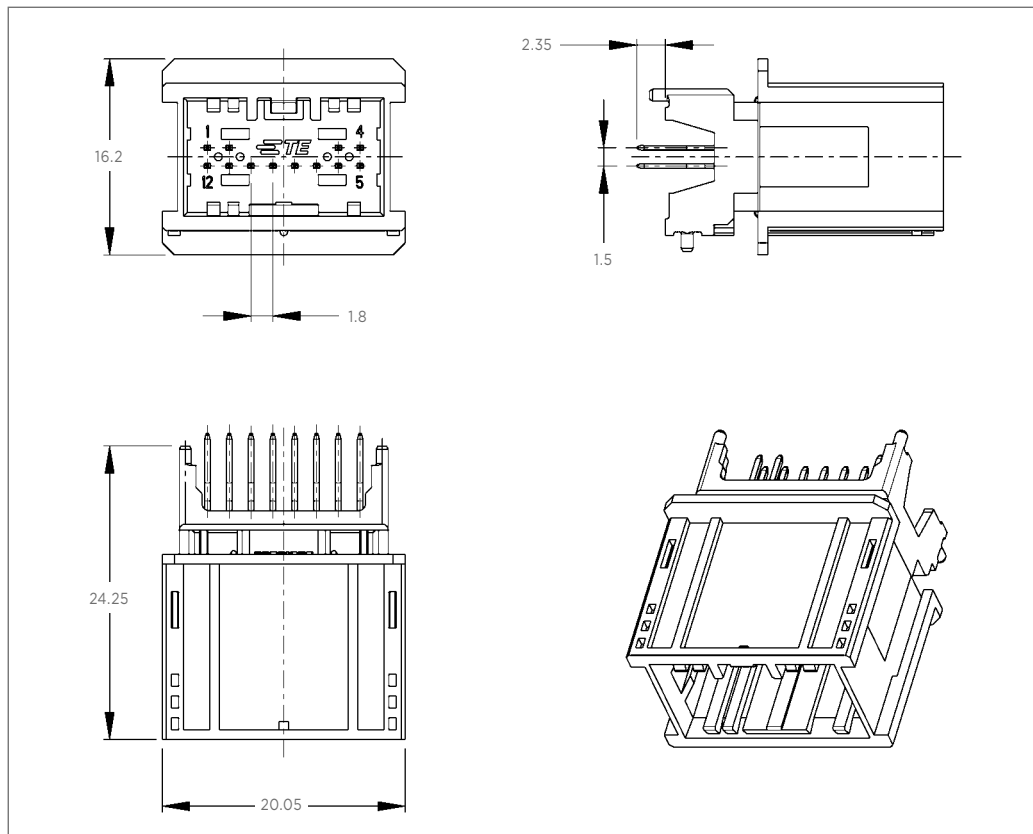


Mating FFC Receptacle Housing
see page 24





PCB Headers - Vertical - 12 Positions



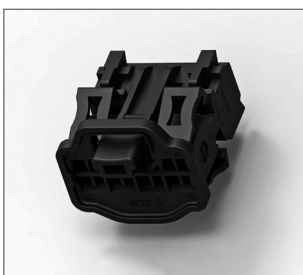
Technical Features

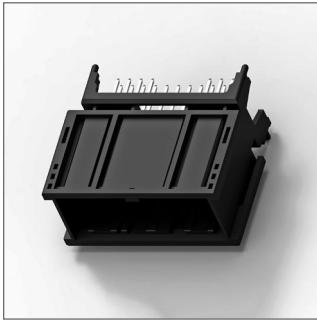
- No. of Positions:**
12 Positions
- Housing Material:**
LCP, Glas fibre reinforced
- Material and Finish:**
CuMg01, Sn over Ni
- Product Specification:**
108-94313
- Application Specification:**
114-94160

| Keying Options | Housing Color | Part Numbers | | | | |
|----------------|---------------|-----------------------------|-------|-------|-------------------|---------------------------|
| | | PCB Header Vertical | Cover | Lever | Retainer Housings | Mating Receptacle Housing |
| Coding A | Black | 2177767-3 | | | | 2177587-1 |
| Coding B | Natural | 1-2177767-3 | N/A | N/A | N/A | 2177587-2 |
| Coding C | Gray | 2-2177767-3* | | | | 2177587-3* |
| Coding D | Black | 3-2177767-3* | | | | 2177587-4* |

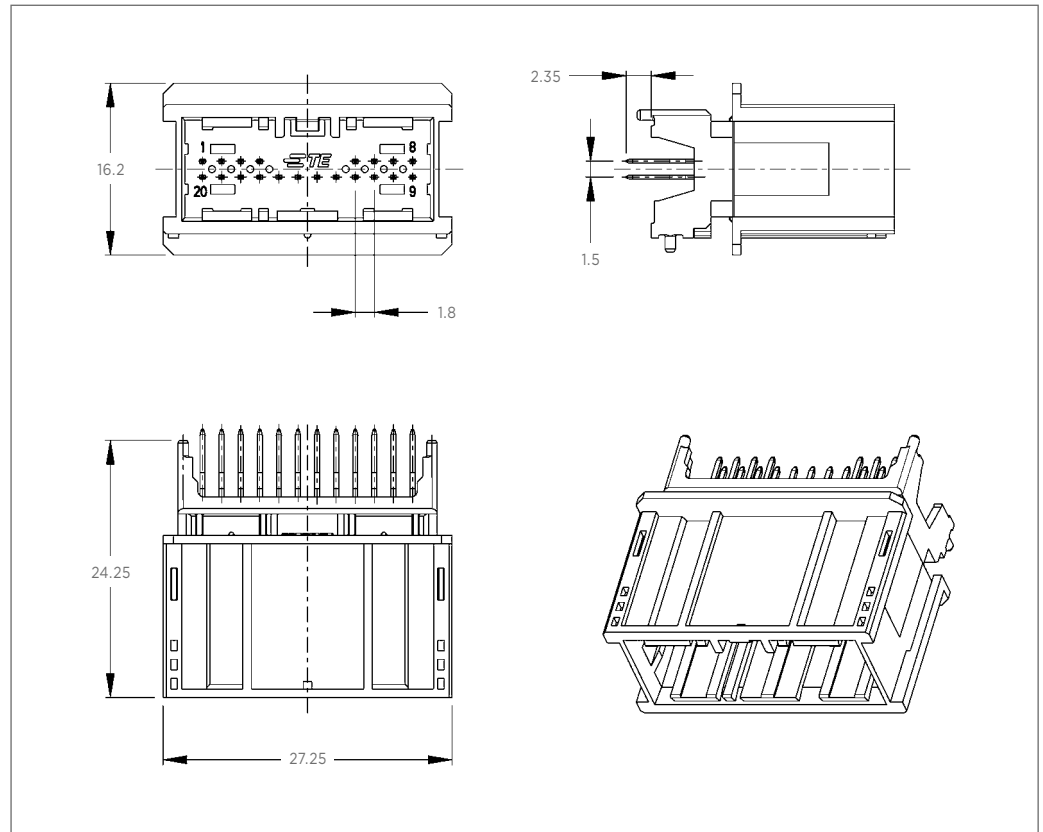
* on request

Mating Receptacle Housing
see page 21





PCB Headers - Vertical - 20 Positions



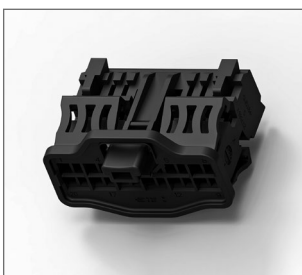
Technical Features

- No. of Positions:**
20 Positions
- Housing Material:**
LCP, Glas fibre reinforced
- Material and Finish:**
CuMg01, Sn over Ni
- Product Specification:**
108-94313
- Application Specification:**
114-94160

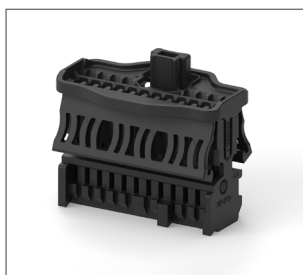
| Keying Options | Housing Color | Part Numbers | | | | |
|----------------|---------------|-----------------------------|-------|-------|-------------------|---------------------------|
| | | PCB Header Vertical | Cover | Lever | Retainer Housings | Mating Receptacle Housing |
| Coding A | Black | 2177766-3 | | | | 2177588-1 |
| Coding B | Natural | 1-2177766-3 | N/A | N/A | N/A | 2177588-2 |
| Coding C | Gray | 2-2177766-3* | | | | 2177588-3* |
| Coding D | Black | 3-2177766-3* | | | | 2177588-4* |

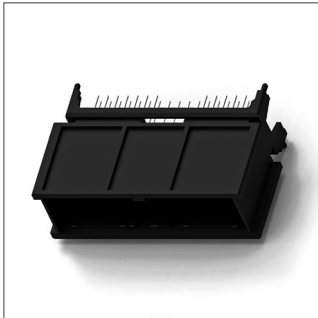
* on request

Mating Receptacle Housing
see page 22

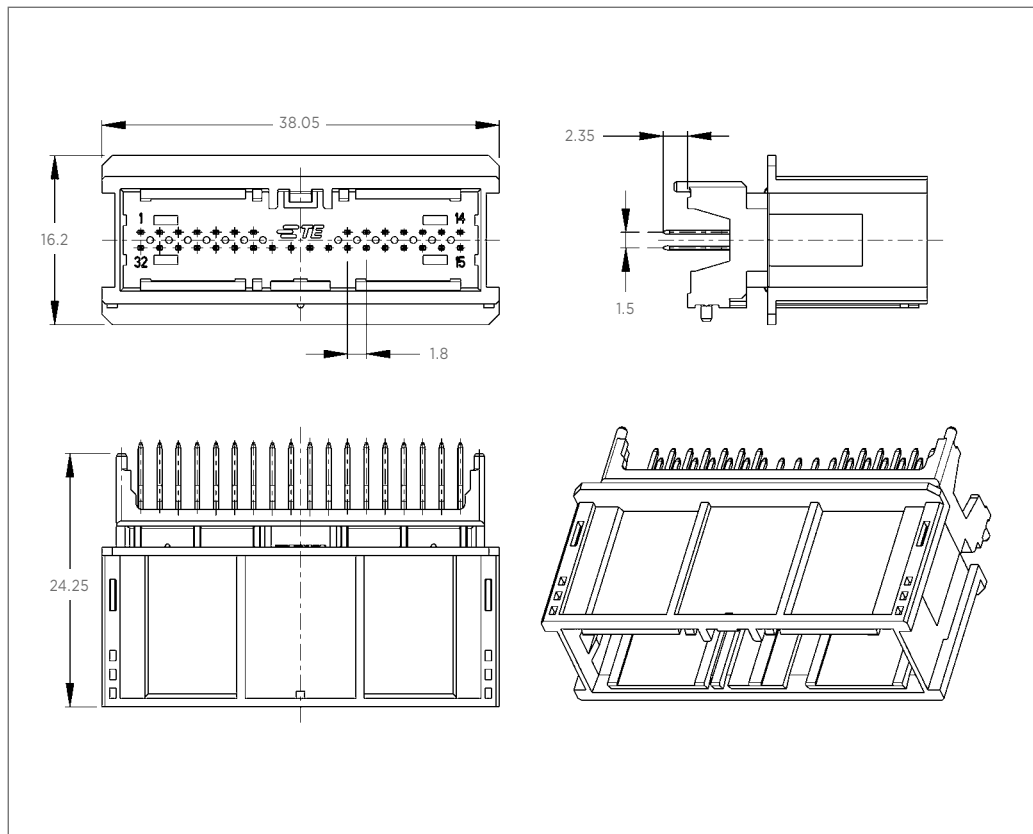


Mating FFC Receptacle Housing
see page 25





PCB Headers - Vertical - 32 Positions



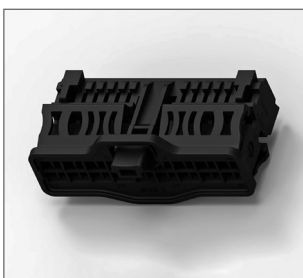
Technical Features

- No. of Positions:**
32 Positions
- Housing Material:**
LCP-GF30 / LCP-GF35
- Material and Finish:**
CuMg01, Sn over NiMating
- Product Specification:**
108-94313
- Application Specification:**
114-94160

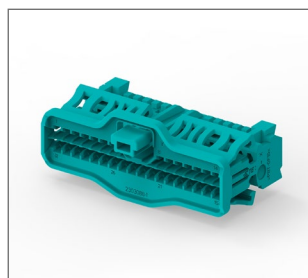
| Keying Options | Housing Color | Part Numbers | | | | |
|----------------|---------------|-----------------------------|-------|-------|-------------------|---------------------------|
| | | PCB Header Vertical | Cover | Lever | Retainer Housings | Mating Receptacle Housing |
| Coding A | Black | 2177748-3 | | | | 2141576-1 |
| Coding B | Natural | 1-2177748-3 | N/A | N/A | N/A | 2141576-2 |
| Coding C | Gray | 2-2177748-3 | | | | 2141576-3 |
| Coding D | Black | 3-2177748-3 * | | | | 2141576-4 * |

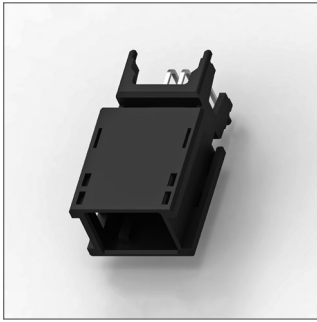
* on request

Mating Receptacle Housing
see page 23



Mating FFC Receptacle Housing
see page 26

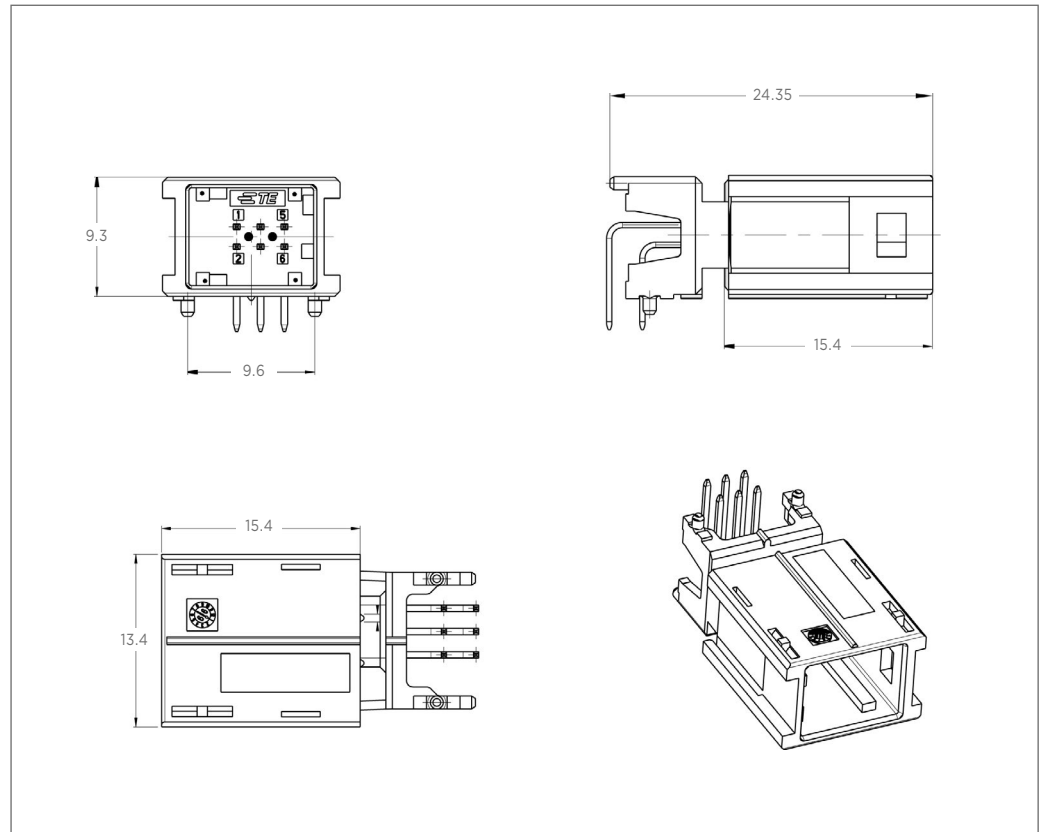




Technical Features

- No. of Positions:**
6 Positions
- Housing Material:**
LCP, Glas fibre reinforced
- Material and Finish:**
CuMg01, Sn over Ni
- Product Specification:**
108-94359
- Application Specification:**
114-94160

PCB Headers - 2 Row Design - 6 Positions



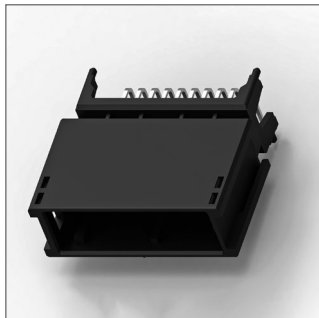
| Keying Options | Housing Color | Part Numbers | | | | |
|----------------|---------------|---------------------------|-------|-------|------------------|----------------------------|
| | | PCB Header Right Angle | Cover | Lever | Retainer Housing | Mating Receptacle Housings |
| Coding A | Black | 2208636-1 | | | | 2208338-1 |
| Coding B | | 2208636-2* | N/A | N/A | N/A | 2208338-2 |
| Coding C | | 2208636-3* | | | | 2208338-3* |
| Coding D | | 2208636-4* | | | | 2208338-4* |

* on request

Mating Receptacle Housing
see page 27

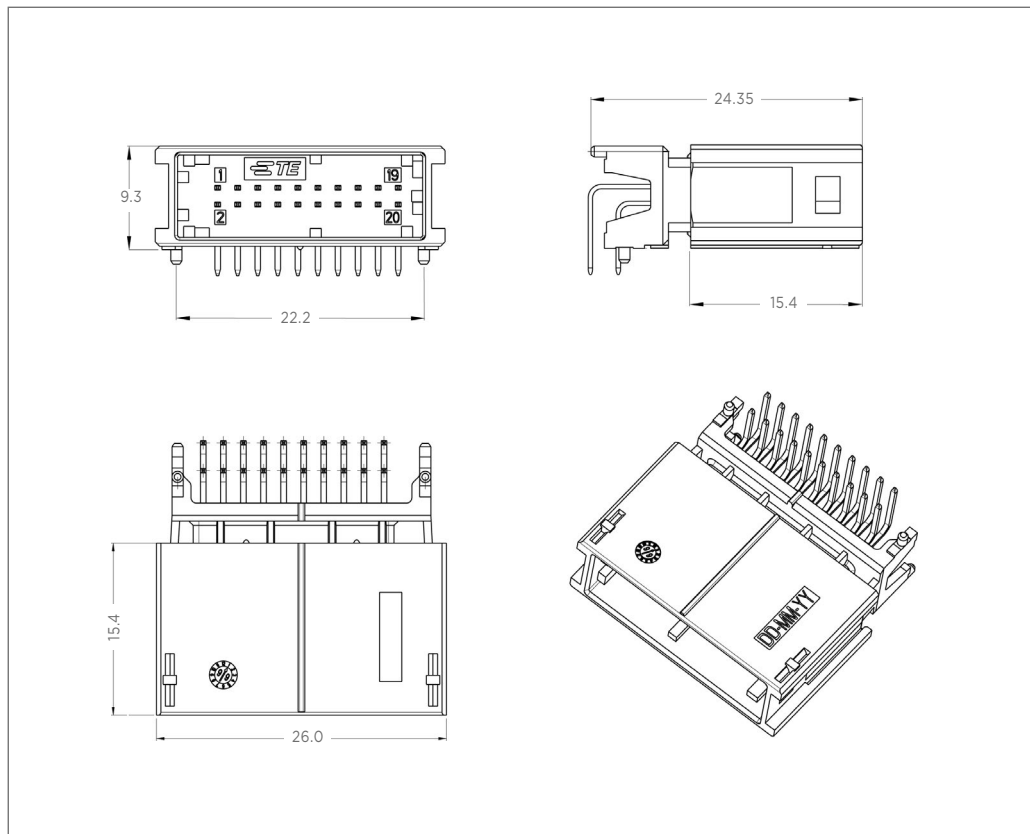


PCB Headers - 2 Row Design - 20 Positions



Technical Features

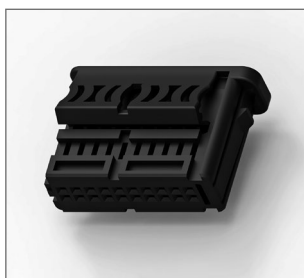
- No. of Positions:**
20 Positions
- Housing Material:**
LCP, Glas fibre reinforced
- Material and Finish:**
CuMg01, Sn over Ni
- Product Specification:**
108-94359
- Application Specification:**
114-94160

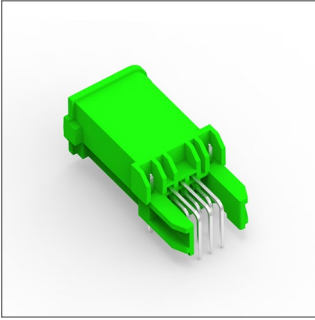


| Keying Options | Housing Color | Part Numbers | | | | |
|----------------|---------------|-----------------------------|-------|-------|------------------|----------------------------|
| | | PCB Header Right Angle | Cover | Lever | Retainer Housing | Mating Receptacle Housings |
| Coding A | Black | 2208165-1 | N/A | N/A | N/A | 2141404-1 |
| Coding B | | 2208165-2 | | | | 2141404-2 |
| Coding C | | 2208165-3* | | | | 2141404-3* |
| Coding D | | 2208165-4* | | | | 2141404-4* |
| Coding Z | Natural | 1-2208165-2 | | | | 2141404-2 |

* on request

Mating Receptacle Housing
see page 30





Technical Features

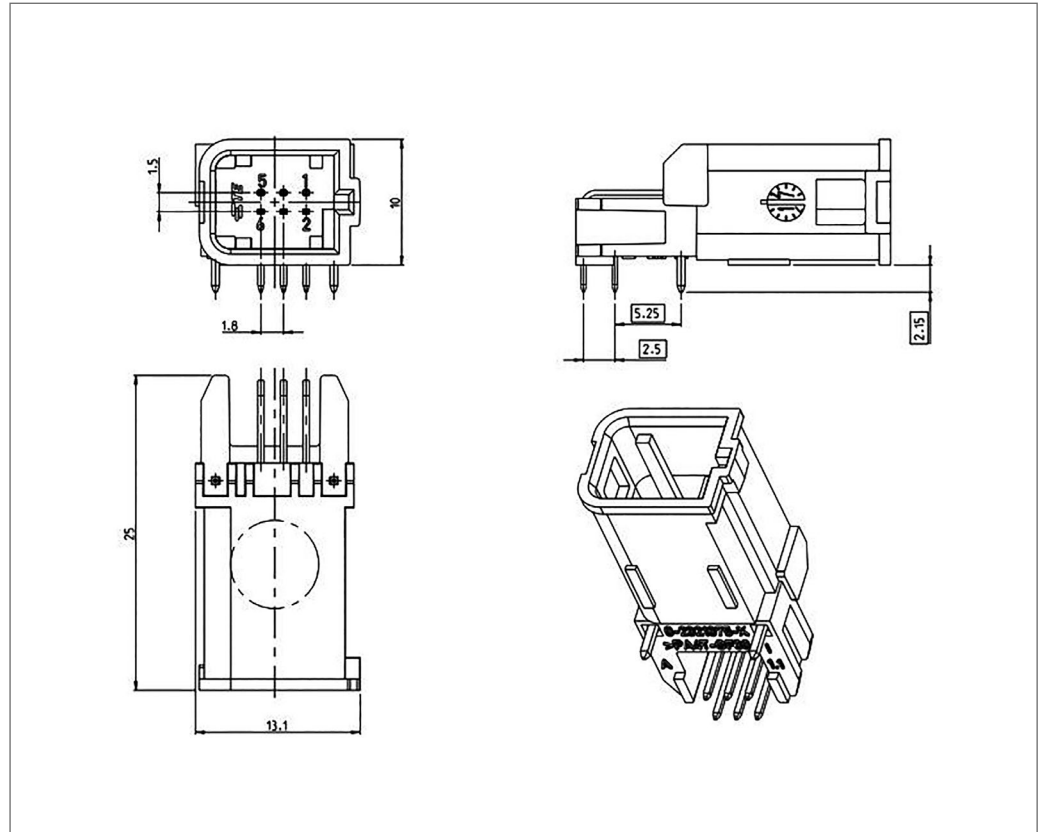
No. of Positions:
6 Positions

Housing Material:
PA4T-GF30

Material and Finish:
CuMg 0.1, Sn over Ni

Interface:
114-94000-20

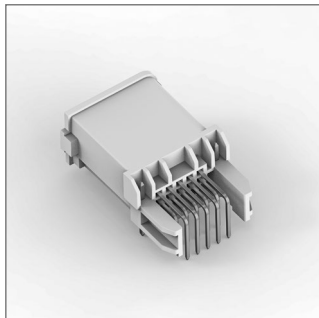
PCB Headers - Right Angle - 2 Row Design - 6 Positions



| Keying Options | Housing Color | Part Numbers | | | | |
|----------------|---------------|---------------------------|-------|-------|----------------------------|------------|
| | | PCB Header Right Angle | Cover | Lever | Mating Receptacle Housings | |
| | | | | | with CPA | no CPA |
| Coding E | Green | 2321376-5 | N/A | N/A | 2345104-5* | 2302501-5* |

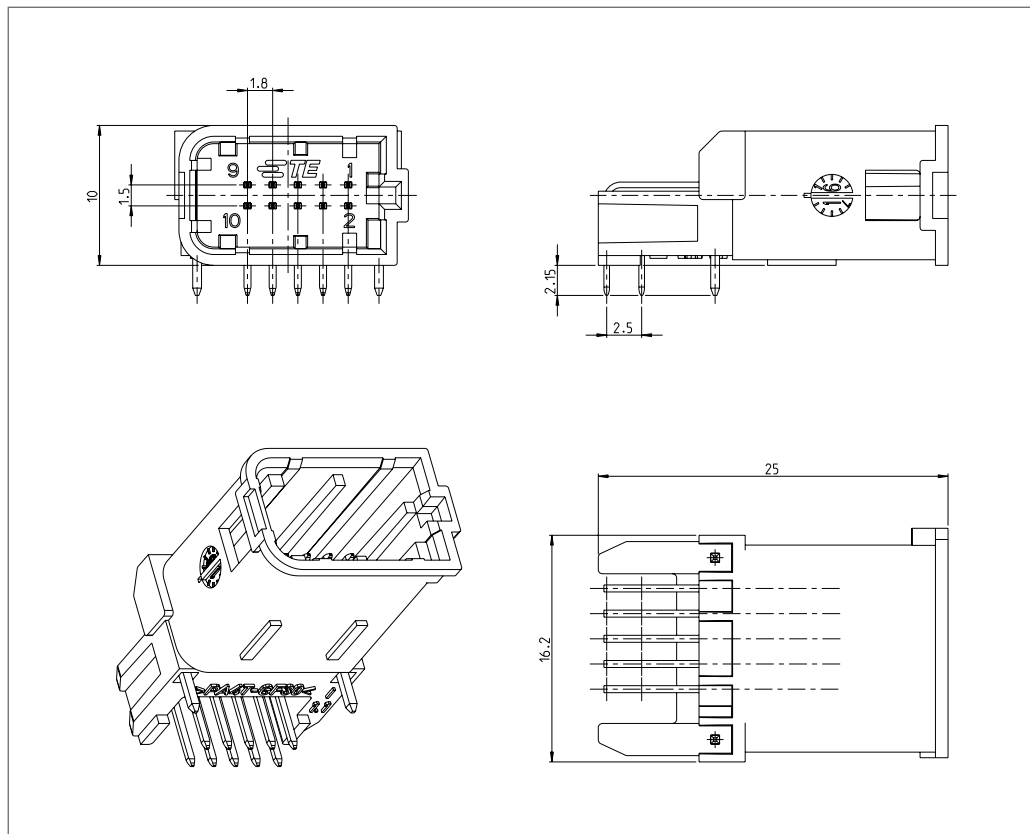
* on request

PCB Headers - Right Angle - 2 Row Design - 10 Positions



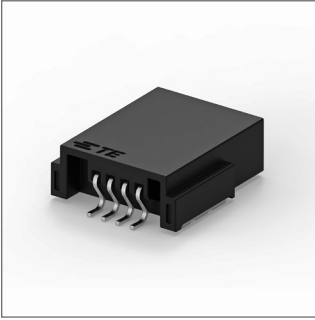
Technical Features

- No. of Positions:**
10 Positions
- Housing Material:**
PA4T-GF30
- Material and Finish:**
CuMg 0.1, Sn over Ni
- Interface:**
114-94000-20



| Keying Options | Housing Color | Part Numbers | | | | |
|----------------|---------------|---------------------------|-------|-------|----------------------------|---------------------------|
| | | PCB Header Right Angle | Cover | Lever | Mating Receptacle Housings | |
| | | | | | with CPA | no CPA |
| Coding B | Natural | 2300292-1 | N/A | N/A | 2312108-2 | 2302475-2 |

* on request



Technical Features

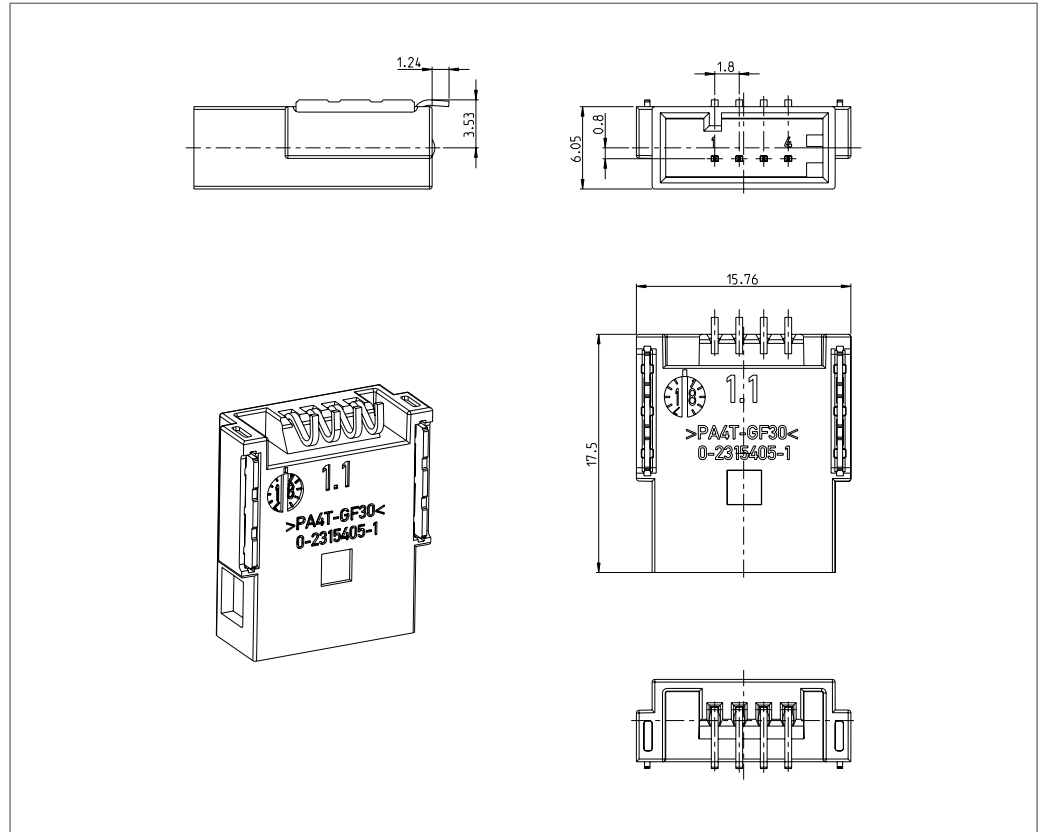
No. of Positions:
4 Positions

Housing Material:
PA4T-GF30

Material and Finish:
CuMg 0.1, Sn over Ni

Interface:
114-94000-17
208-18060

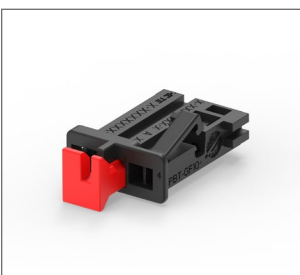
PCB Headers - Right Angle - 1 Row Design - 4 Positions



| Keying Options | Housing Color | Part Numbers | | | | |
|----------------|---------------|---------------------------|-------|-------|----------------------------|---------------------------|
| | | PCB Header Right Angle | Cover | Lever | Mating Receptacle Housings | |
| | | | | | with CPA | no CPA |
| Coding A | Black | 2315405-1 | N/A | N/A | 2333102-1 | 2282152-1 |
| Coding B | Natural | 2315405-2 | | | 2333102-2 | 2282152-2 |
| Coding C | Blue | 2315405-3* | | | 2333102-3* | 2282152-3 |
| Coding D | Violet | 2315405-4* | | | 2333102-4* | 2282152-4 |

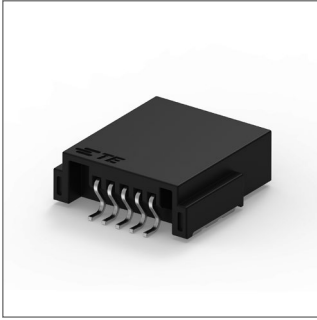
* on request

Mating Receptacle Housing with CPA see page 50

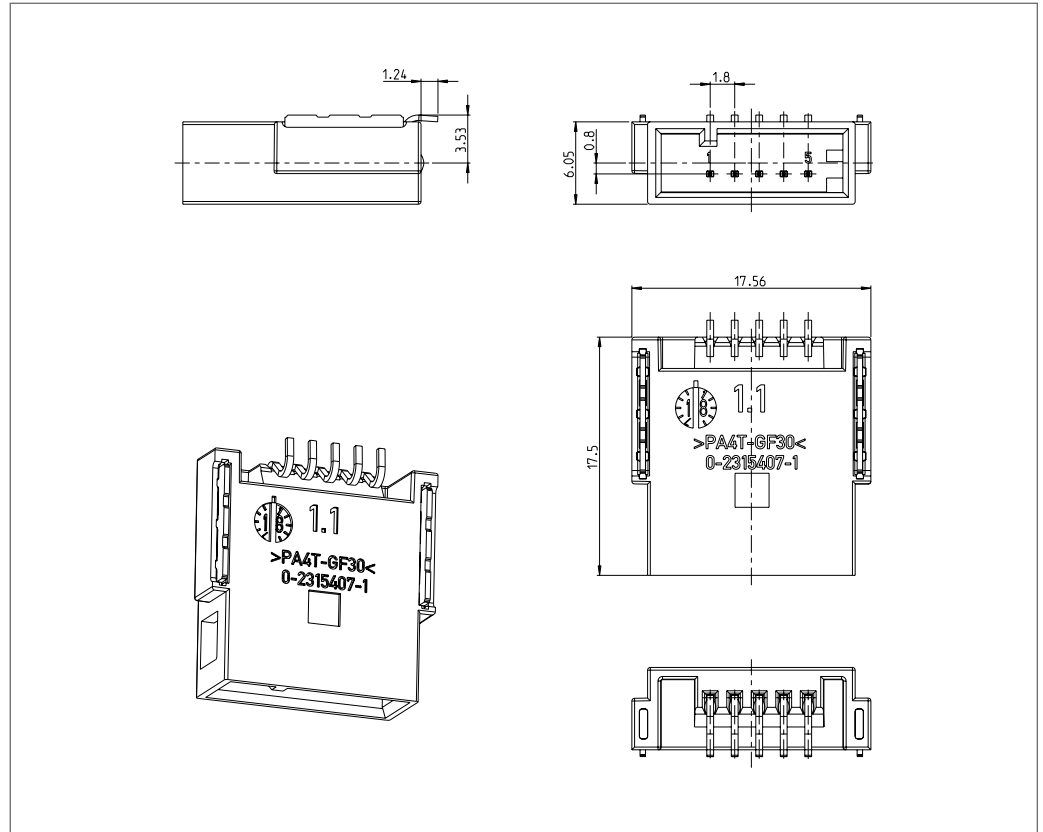


Mating Receptacle Housing no CPA see page 33





PCB Headers - Right Angle - 1 Row Design - 5 Positions



Technical Features

No. of Positions:
5 Positions

Housing Material:
PA4T-GF30

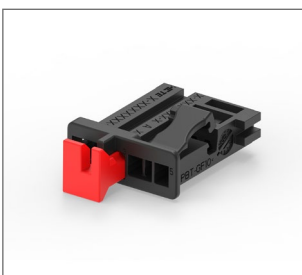
Material and Finish:
CuMg 0.1, Sn over Ni

Interface:
114-94000-17
208-18060

| Keying Options | Housing Color | PCB Header Right Angle | Cover | Lever | Part Numbers | |
|----------------|---------------|---------------------------|-------|-------|----------------------------|---------------------------|
| | | | | | Mating Receptacle Housings | |
| | | | | | with CPA | no CPA |
| Coding A | Black | 2315407-1 | N/A | N/A | 2333103-1 | 2282153-1 |
| Coding B | Natural | 2315407-2 | | | 2333103-2 | 2282153-2 |
| Coding C | Blue | 2315407-3* | | | 2333103-3 | 2282153-3 |
| Coding D | Violet | 2315407-4* | | | 2333103-4* | 2282153-4 |

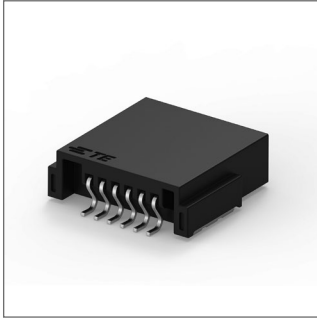
* on request

Mating Receptacle Housing with CPA see page 51



Mating Receptacle Housing no CPA see page 34





Technical Features

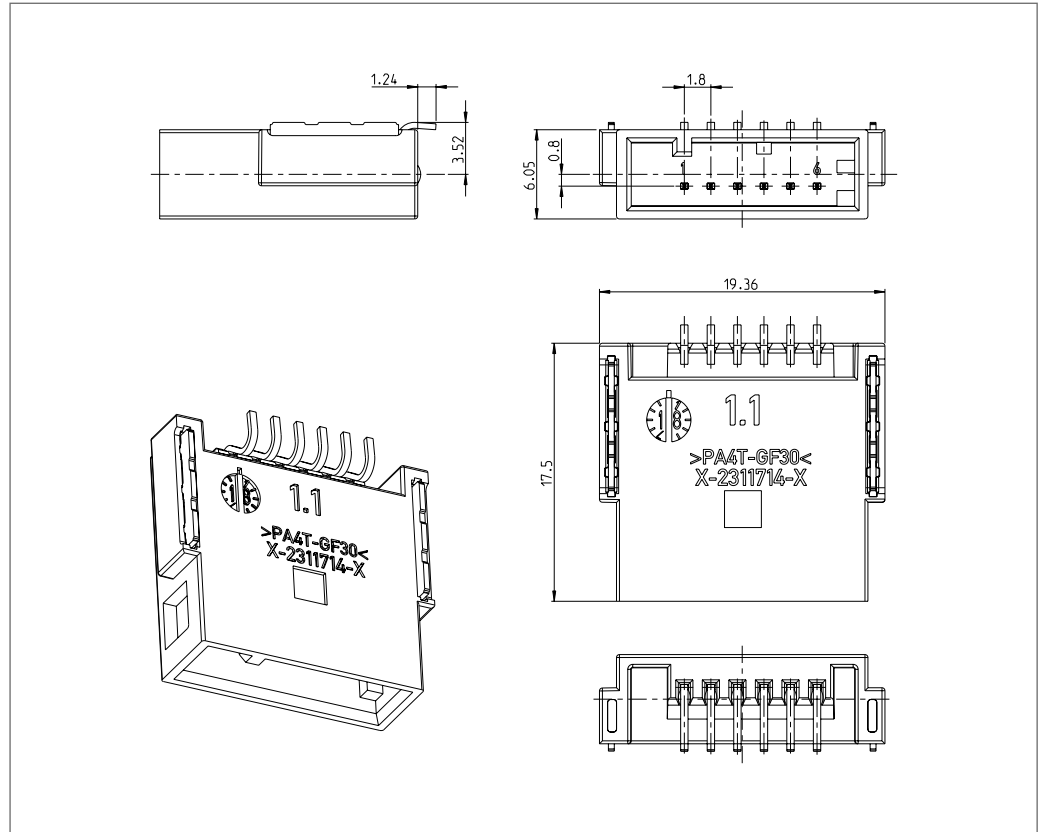
No. of Positions:
6 Positions

Housing Material:
PA4T-GF30

Material and Finish:
CuMg 0.1, Sn over Ni

Interface:
114-94000-17
208-18060

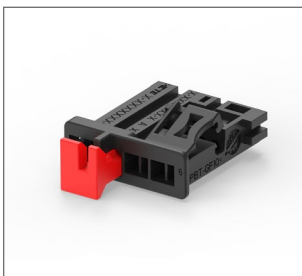
PCB Headers - Right Angle - 1 Row Design - 6 Positions



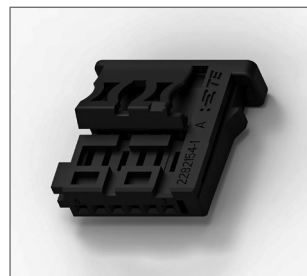
| Keying Options | Housing Color | Part Numbers | | | | |
|----------------|---------------|---------------------------|-------|-------|----------------------------|---------------------------|
| | | PCB Header Right Angle | Cover | Lever | Mating Receptacle Housings | |
| | | | | | with CPA | no CPA |
| Coding A | Black | 2311714-1 | N/A | N/A | 2333104-1 | 2282154-1 |
| Coding B | Natural | 2311714-2 | | | 2333104-2 | 2282154-2 |
| Coding C | Blue | 2311714-3* | | | 2333104-3* | 2282154-3 |
| Coding D | Violet | 2311714-4* | | | 2333104-4* | 2282154-4 |

* on request

Mating Receptacle Housing with CPA see page 52

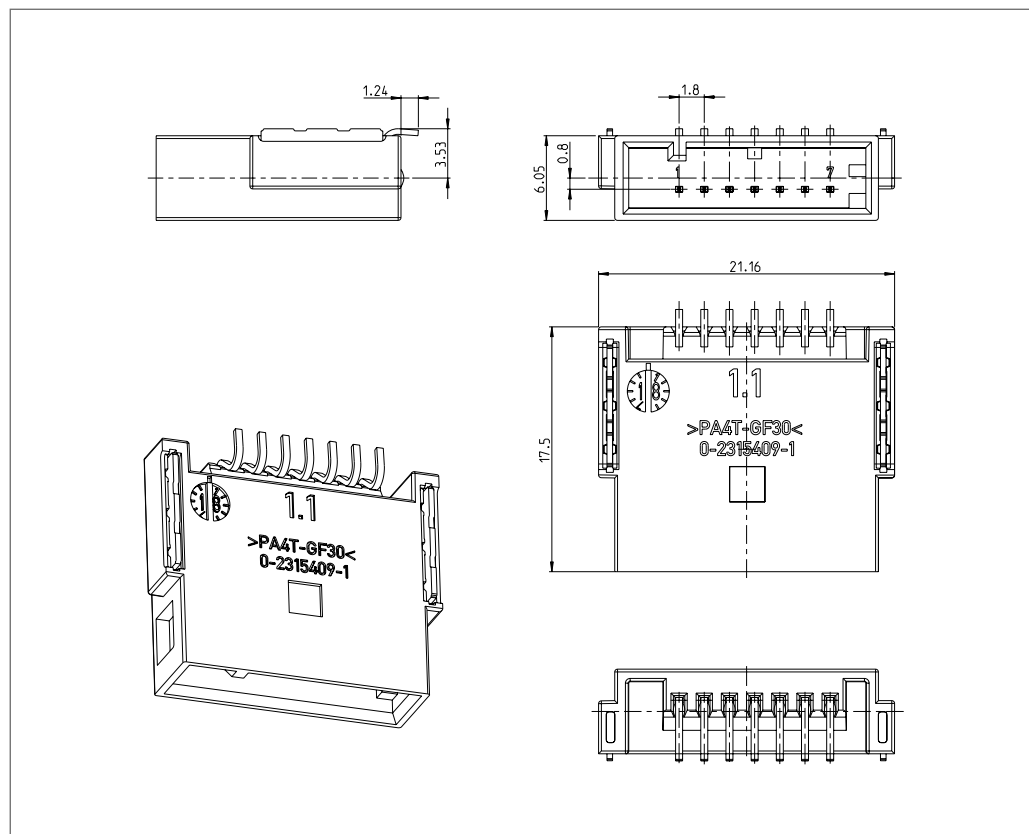


Mating Receptacle Housing no CPA see page 35





PCB Headers - Right Angle - 1 Row Design - 7 Positions



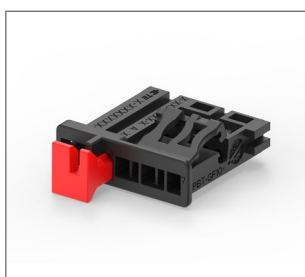
Technical Features

No. of Positions:
7 Positions
Housing Material:
PA4T-GF30
Material and Finish:
CuMg 0.1, Sn over Ni
Interface:
114-94000-17
208-18060

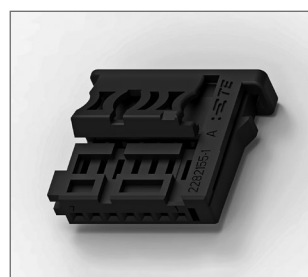
| Keying Options | Housing Color | PCB Header Right Angle | Part Numbers | | | |
|----------------|---------------|---------------------------|--------------|-------|----------------------------|---------------------------|
| | | | Cover | Lever | Mating Receptacle Housings | |
| | | | | | with CPA | no CPA |
| Coding A | Black | 2315409-1 | N/A | N/A | 2333105-1 | 2282155-1 |
| Coding B | Natural | 2315409-2 | | | 2333105-2 | 2282155-2 |
| Coding C | Blue | 2315409-3* | | | 2333105-3* | 2282155-3 |
| Coding D | Violet | 2315409-4* | | | 2333105-4* | 2282155-4 |

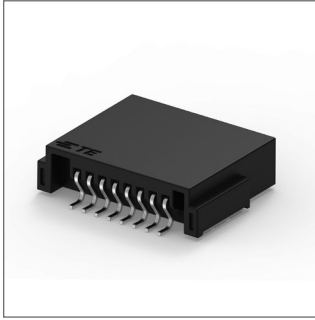
* on request

Mating Receptacle Housing with CPA see page 53



Mating Receptacle Housing no CPA see page 36





Technical Features

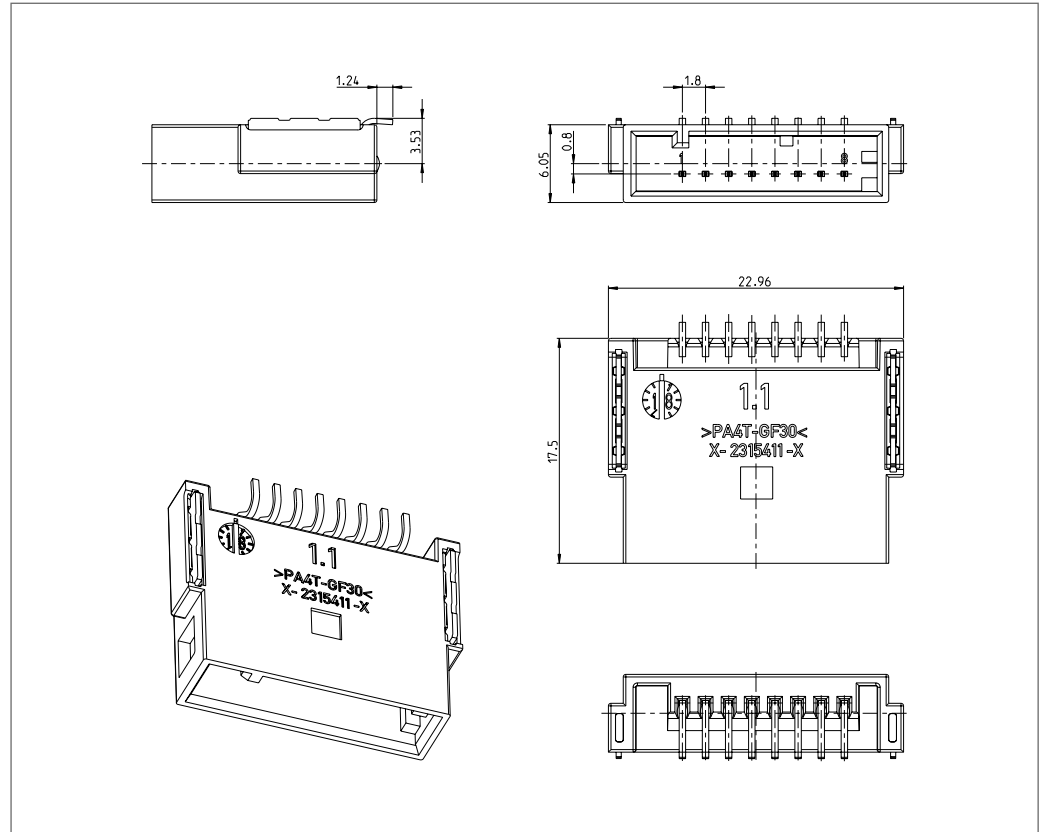
No. of Positions:
8 Positions

Housing Material:
PA4T-GF30

Material and Finish:
CuMg 0.1, Sn over Ni

Interface:
114-94000-17
208-18060

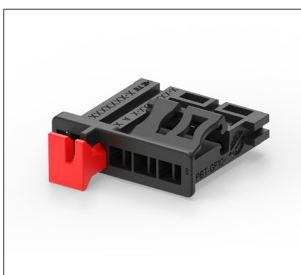
PCB Headers - Right Angle - 1 Row Design - 8 Positions



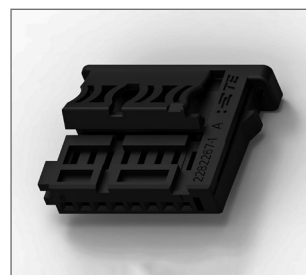
| Keying Options | Housing Color | Part Numbers | | | | |
|----------------|---------------|---------------------------|-------|-------|----------------------------|---------------------------|
| | | PCB Header Right Angle | Cover | Lever | Mating Receptacle Housings | |
| | | | | | with CPA | no CPA |
| Coding A | Black | 2315411-1 | N/A | N/A | 2309873-1 | 2282267-1 |
| Coding B | Natural | 2315411-2 | | | 2309873-2 | 2282267-2 |
| Coding C | Blue | 2315411-3* | | | 2309873-3 | 2282267-3 |
| Coding D | Violet | 2315411-4* | | | 2309873-4* | 2282267-4 |

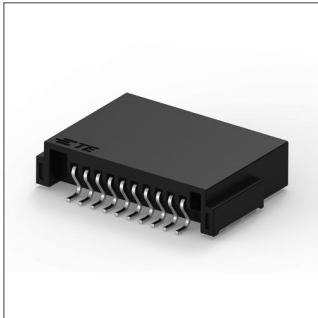
* on request

Mating Receptacle Housing with CPA see page 54

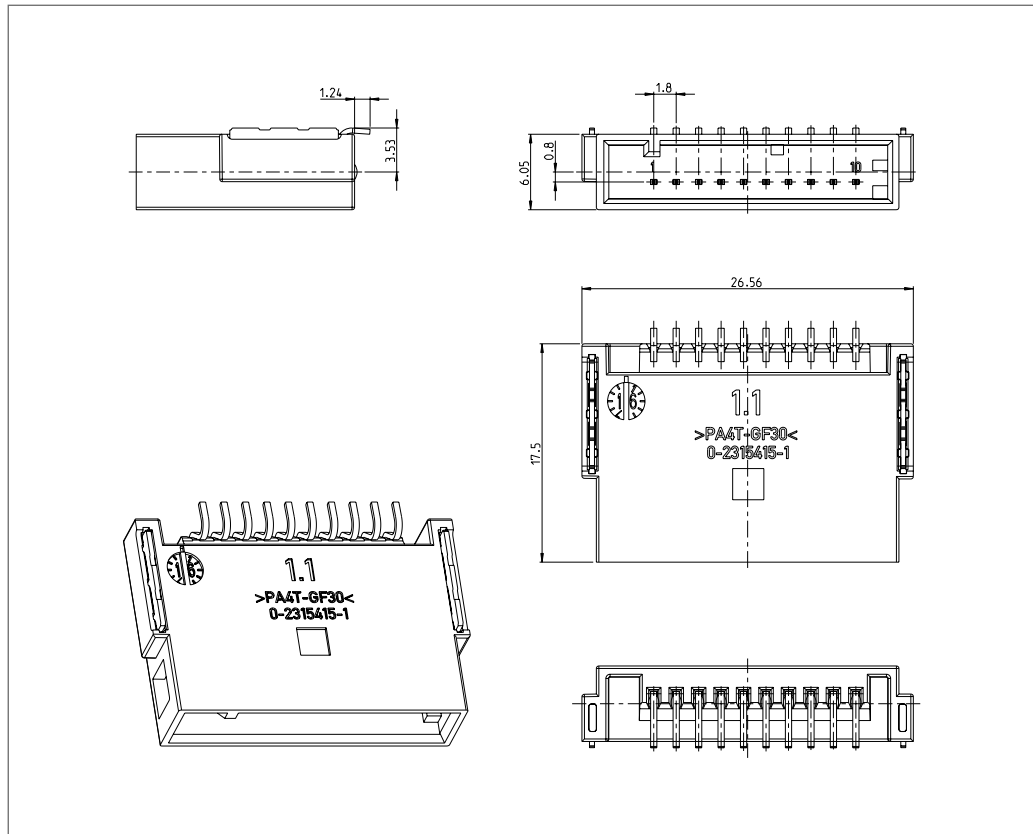


Mating Receptacle Housing no CPA see page 37





PCB Headers - Right Angle - 1 Row Design - 10 Positions



Technical Features

No. of Positions:
10 Positions

Housing Material:
PA4T-GF30

Material and Finish:
CuMg 0.1, Sn over Ni

Interface:
114-94000-17
208-18060

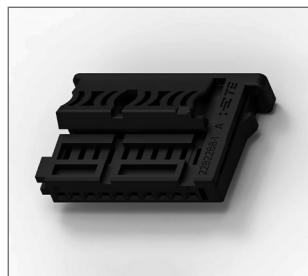
| Keying Options | Housing Color | PCB Header Right Angle | Part Numbers | | | |
|----------------|---------------|---------------------------|--------------|-------|----------------------------|---------------------------|
| | | | Cover | Lever | Mating Receptacle Housings | |
| | | | | | with CPA | no CPA |
| Coding A | Black | 2315415-1 | N/A | N/A | 2333108-1 | 2282268-1 |
| Coding B | Natural | 2315415-2 | | | 2333108-2 | 2282268-2 |
| Coding C | Blue | 2315415-3* | | | 2333108-3* | 2282268-3 |
| Coding D | Violet | 2315415-4* | | | 2333108-4* | 2282268-4 |

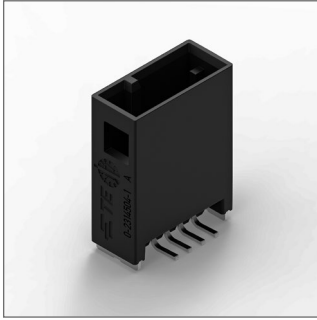
* on request

Mating Receptacle Housing with CPA see page 55



Mating Receptacle Housing no CPA see page 39





Technical Features

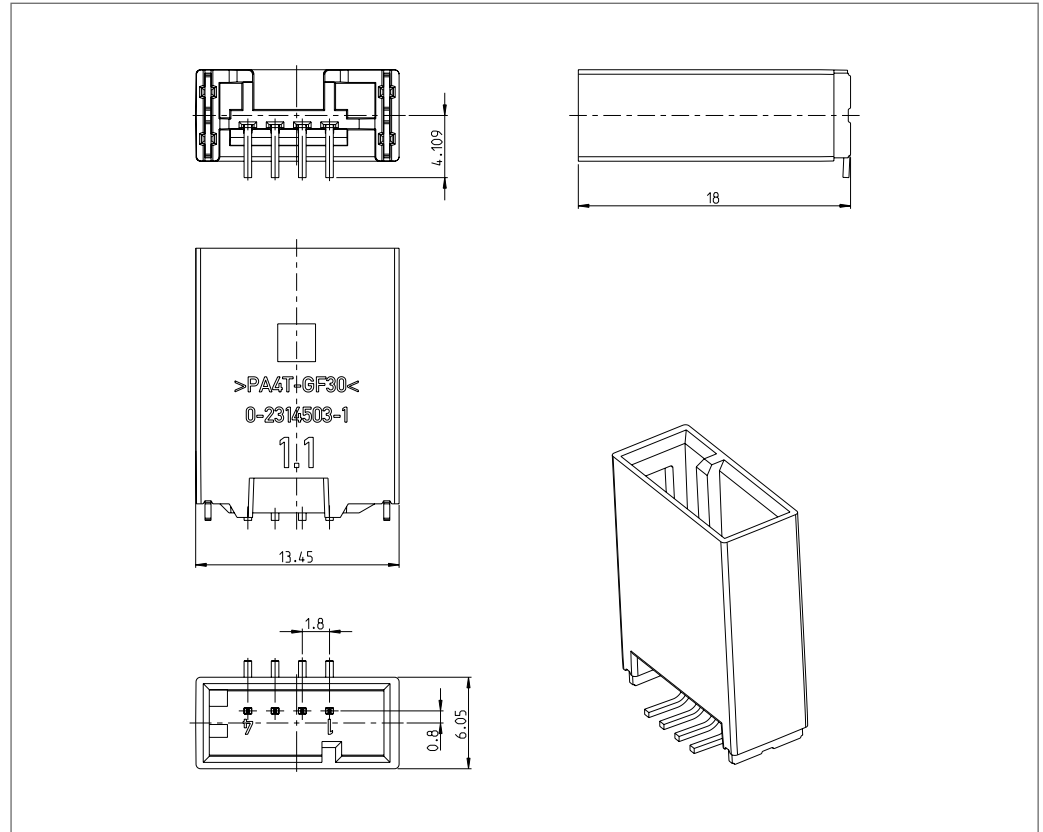
No. of Positions:
4 Positions

Housing Material:
PA4T-GF30

Material and Finish:
CuMg 0.1, Sn over Ni

Interface:
114-94000-17
208-18060

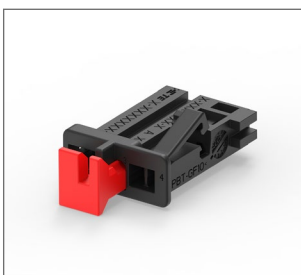
PCB Headers - Vertical Angle - 1 Row Design - 4 Positions



| Keying Options | Housing Color | PCB Header Vertical Angle | Cover | Lever | Part Numbers | |
|----------------|---------------|---------------------------|-------|-------|----------------------------|---------------------------|
| | | | | | Mating Receptacle Housings | |
| | | | | | with CPA | no CPA |
| Coding A | Black | 2314503-1 | N/A | N/A | 2333102-1 | 2282152-1 |
| Coding B | Natural | 2314503-2 | | | 2333102-2 | 2282152-2 |
| Coding C | Blue | 2314503-3* | | | 2333102-3* | 2282152-3 |
| Coding D | Violet | 2314503-4* | | | 2333102-4* | 2282152-4 |

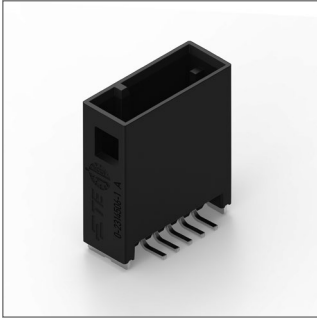
* on request

Mating Receptacle Housing with CPA see page 50

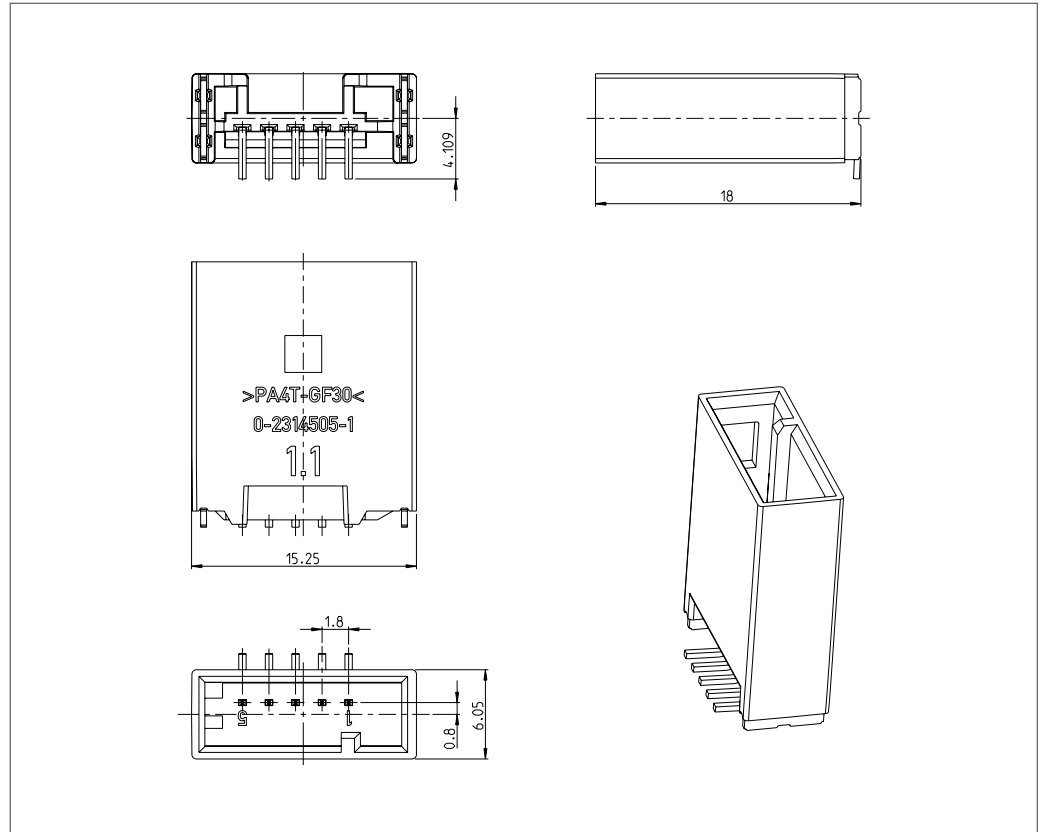


Mating Receptacle Housing no CPA see page 33





PCB Headers - Vertical Angle - 1 Row Design - 5 Positions



Technical Features

No. of Positions:
5 Positions

Housing Material:
PA4T-GF30

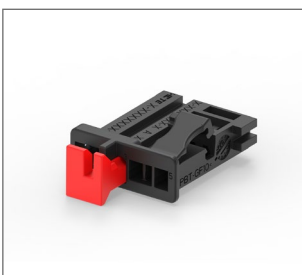
Material and Finish:
CuMg 0.1, Sn over Ni

Interface:
114-94000-17
208-18060

| Keying Options | Housing Color | PCB Header Vertical Angle | Part Numbers | | | |
|----------------|---------------|---------------------------|--------------|-------|----------------------------|---------------------------|
| | | | Cover | Lever | Mating Receptacle Housings | |
| | | | | | with CPA | no CPA |
| Coding A | Black | 2314505-1 | N/A | N/A | 2333103-1 | 2282153-1 |
| Coding B | Natural | 2314505-2 | | | 2333103-2 | 2282153-2 |
| Coding C | Blue | 2314505-3 | | | 2333103-3 | 2282153-3 |
| Coding D | Violet | 2314505-4 * | | | 2333103-4 * | 2282153-4 |

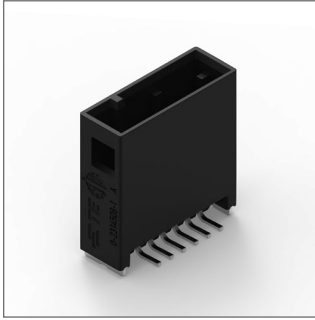
* on request

Mating Receptacle Housing with CPA see page 51



Mating Receptacle Housing no CPA see page 34





Technical Features

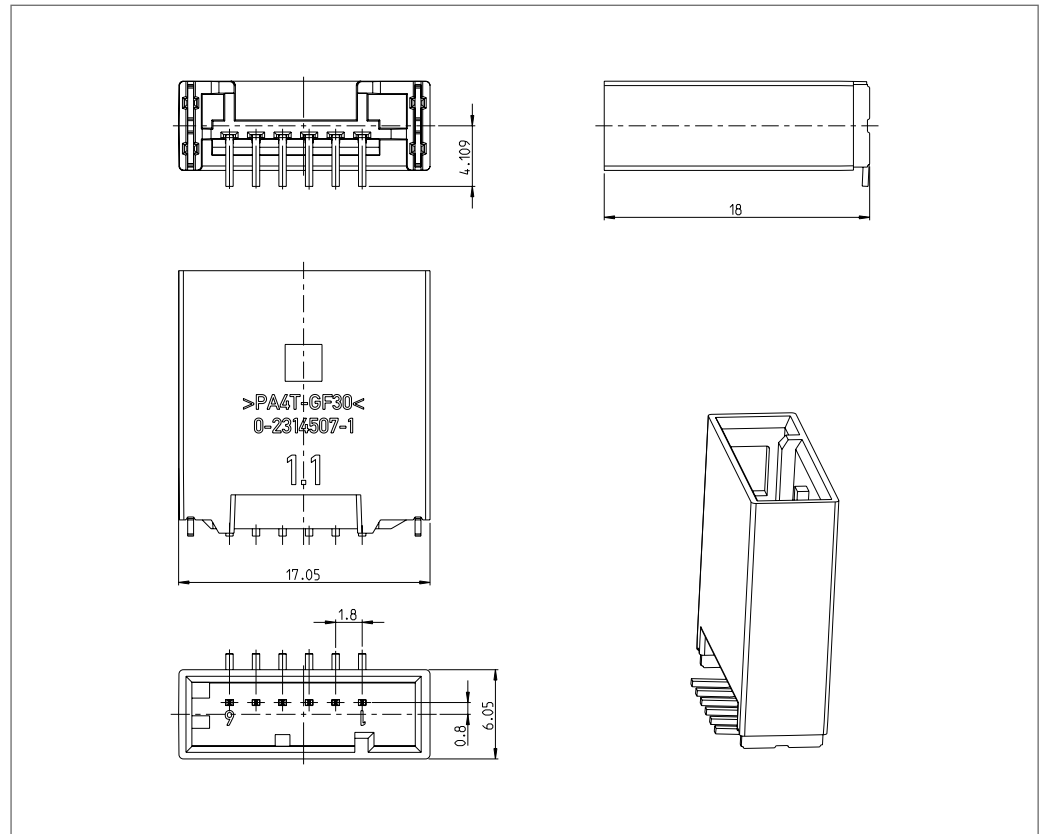
No. of Positions:
6 Positions

Housing Material:
PA4T-GF30

Material and Finish:
CuMg 0.1, Sn over Ni

Interface:
114-94000-17
208-18060

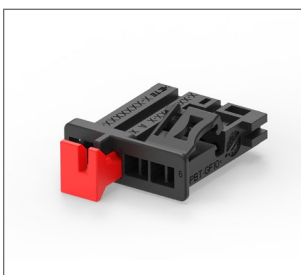
PCB Headers - Vertical Angle - 1 Row Design - 6 Positions



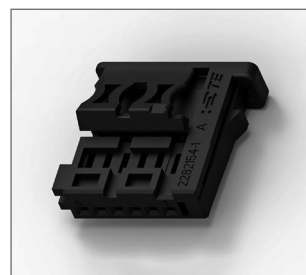
| Keying Options | Housing Color | PCB Header Vertical Angle | Cover | Lever | Part Numbers | |
|----------------|---------------|---------------------------|-------|-------|----------------------------|---------------------------|
| | | | | | Mating Receptacle Housings | |
| | | | | | with CPA | no CPA |
| Coding A | Black | 2314507-1 | N/A | N/A | 2333104-1 | 2282154-1 |
| Coding B | Natural | 2314507-2 | | | 2333104-2 | 2282154-2 |
| Coding C | Blue | 2314507-3* | | | 2333104-3* | 2282154-3 |
| Coding D | Violet | 2314507-4* | | | 2333104-4* | 2282154-4 |

* on request

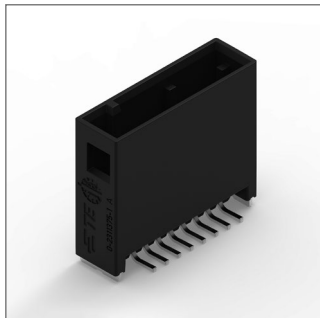
Mating Receptacle Housing with CPA see page 52



Mating Receptacle Housing no CPA see page 35

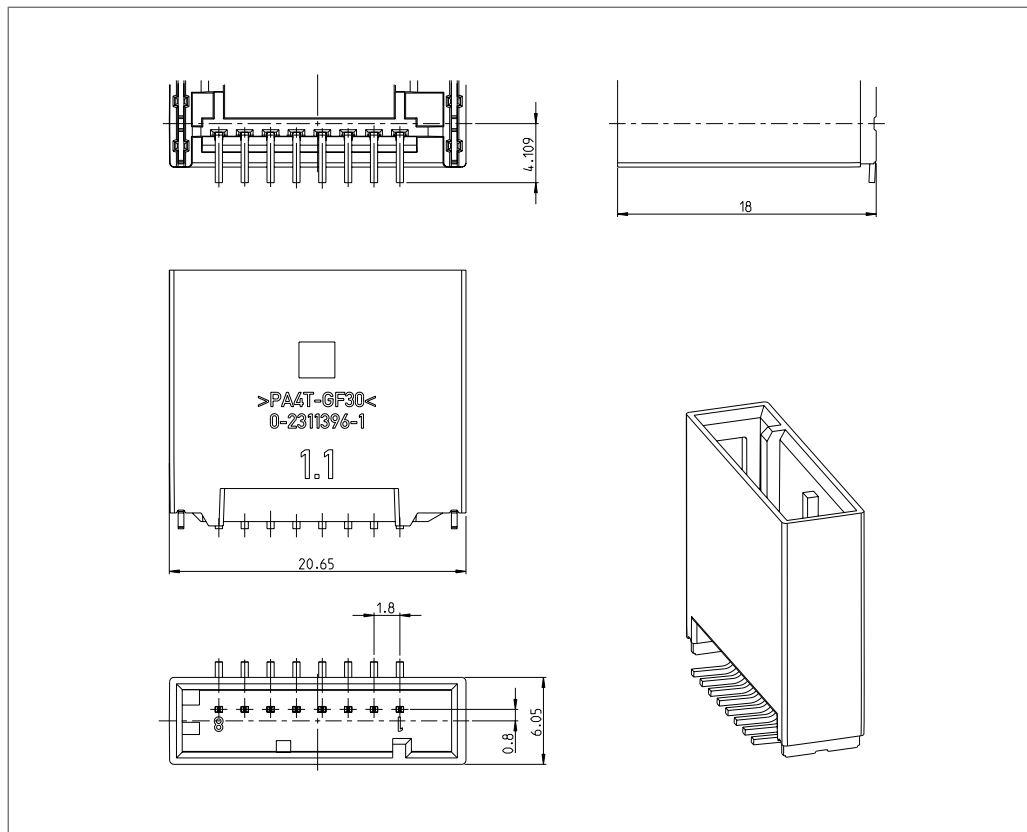


PCB Headers - Vertical Angle - 1 Row Design - 8 Positions



Technical Features

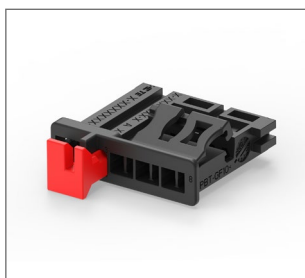
No. of Positions:
8 Positions
Housing Material:
PA4T-GF30
Material and Finish:
CuMg 0.1, Sn over Ni
Interface:
114-94000-17
208-18060



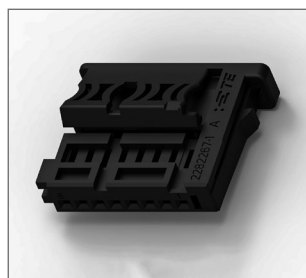
| Keying Options | Housing Color | PCB Header Vertical Angle | Cover | Lever | Part Numbers | |
|----------------|---------------|---------------------------|-------|-------|----------------------------|---------------------------|
| | | | | | Mating Receptacle Housings | |
| | | | | | with CPA | no CPA |
| Coding A | Black | 2311396-1 | N/A | N/A | 2309873-1 | 2282267-1 |
| Coding B | Natural | 2311396-2 | | | 2309873-2 | 2282267-2 |
| Coding C | Blue | 2311396-3 | | | 2309873-3 | 2282267-3 |
| Coding D | Violet | 2311396-4* | | | 2309873-4* | 2282267-4 |

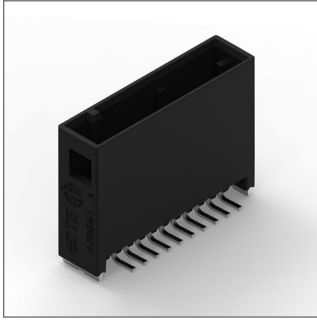
* on request

Mating Receptacle Housing with CPA see page 54



Mating Receptacle Housing no CPA see page 37





Technical Features

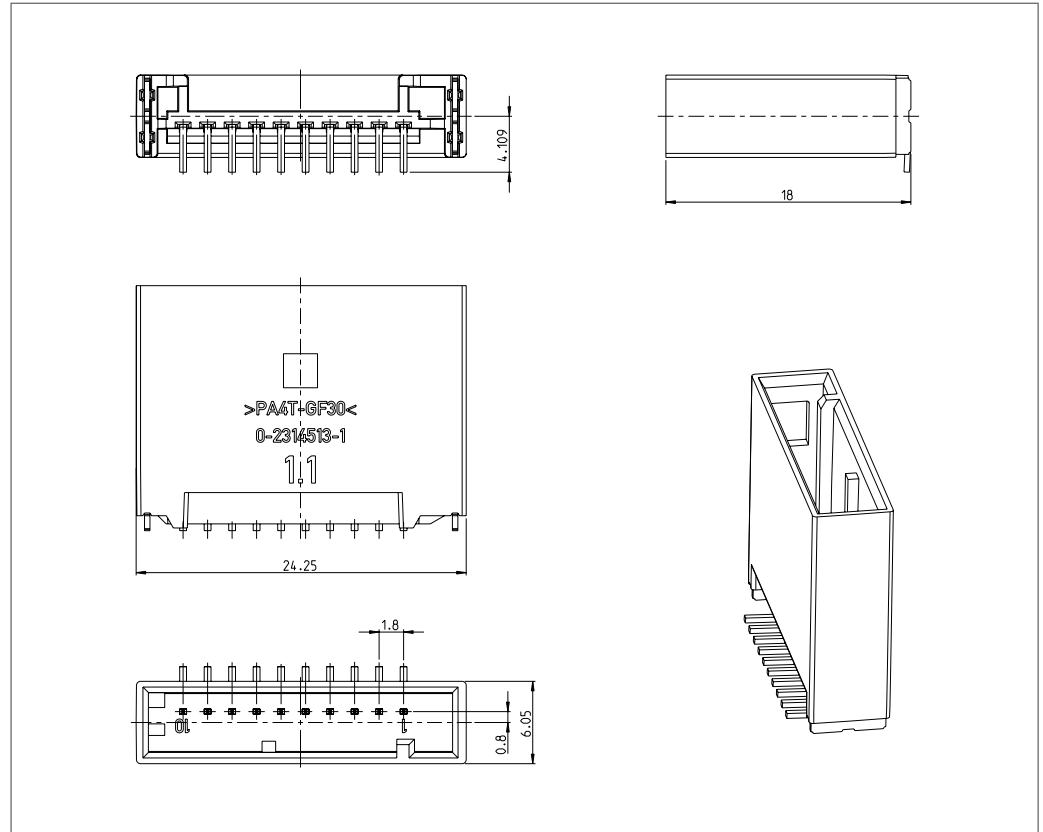
No. of Positions:
10 Positions

Housing Material:
PA4T-GF30

Material and Finish:
CuMg 0.1, Sn over Ni

Interface:
114-94000-17
208-18060

PCB Headers - Vertical Angle - 1 Row Design - 10 Positions



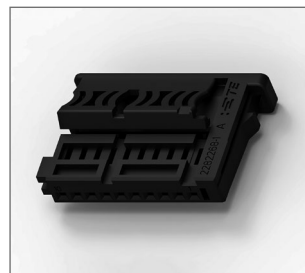
| Keying Options | Housing Color | PCB Header Vertical Angle | Cover | Lever | Part Numbers | |
|----------------|---------------|---------------------------|-------|-------|----------------------------|---------------------------|
| | | | | | Mating Receptacle Housings | |
| | | | | | with CPA | no CPA |
| Coding A | Black | 2314513-1 | | | 2333108-1 | 2282268-1 |
| Coding B | Natural | 2314513-2 | N/A | N/A | 2333108-2 | 2282268-2 |
| Coding C | Blue | 2314513-3* | | | 2333108-3* | 2282268-3 |
| Coding D | Violet | 2314513-4* | | | 2333108-4* | 2282268-4 |

* on request

Mating Receptacle Housing with CPA
see page 55



Mating Receptacle Housing no CPA
see page 39

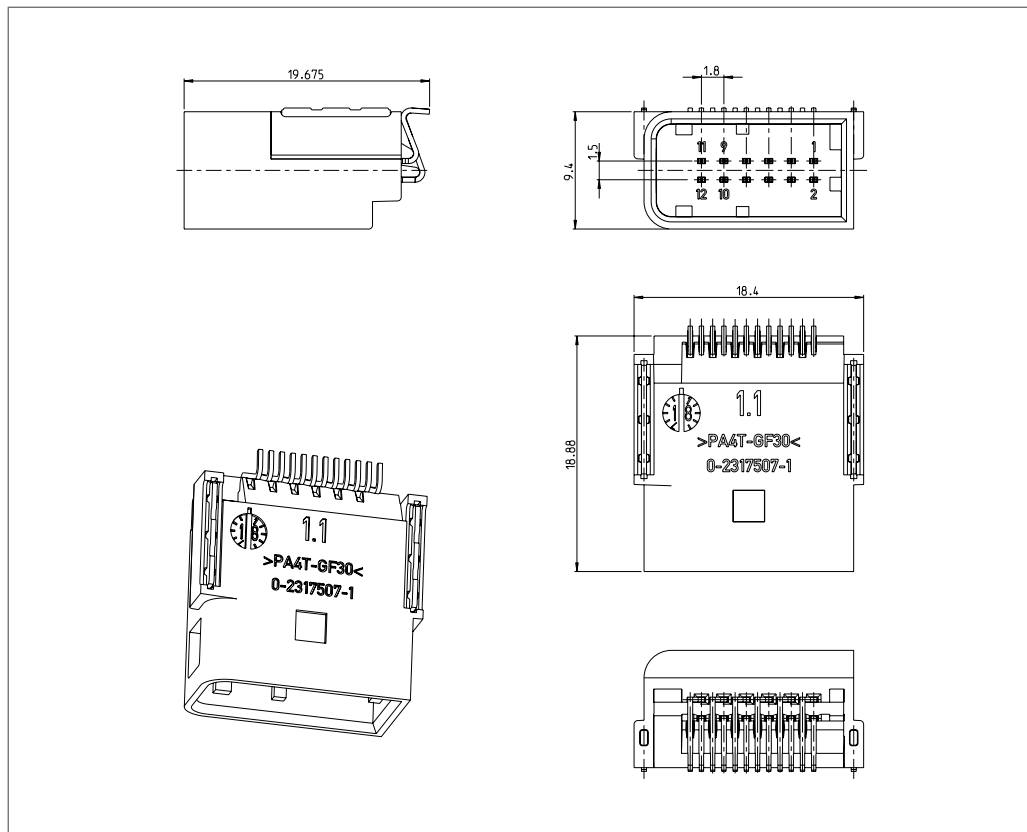


PCB Headers - Right Angle - 2 Row Design - 12 Positions



Technical Features

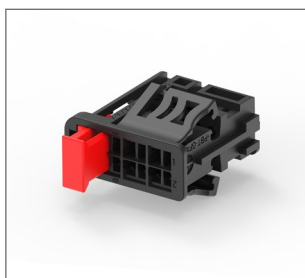
- No. of Positions:** 12 Positions
- Housing Material:** PA4T-GF30
- Material and Finish:** CuMg 0.1, Sn over Ni
- Interface:** 114-94000-20



| Keying Options | Housing Color | PCB Header Right Angle | Part Numbers | | | |
|----------------|---------------|---------------------------|--------------|-------|----------------------------|---------------------------|
| | | | Cover | Lever | Mating Receptacle Housings | |
| | | | | | with CPA | no CPA |
| Coding A | Black | 2317507-1 | N/A | N/A | 2312110-1 | 2312212-1 |
| Coding B | Natural | 2317507-2 | | | 2312110-2 | 2312212-2 |
| Coding C | Blue | 2317507-3* | | | 2312110-3* | 2312212-3* |
| Coding D | Violet | 2317507-4* | | | 2312110-4* | 2312212-4* |

* on request

Mating Receptacle Housing with CPA see page 59



Mating Receptacle Housing no CPA see page 45





Technical Features

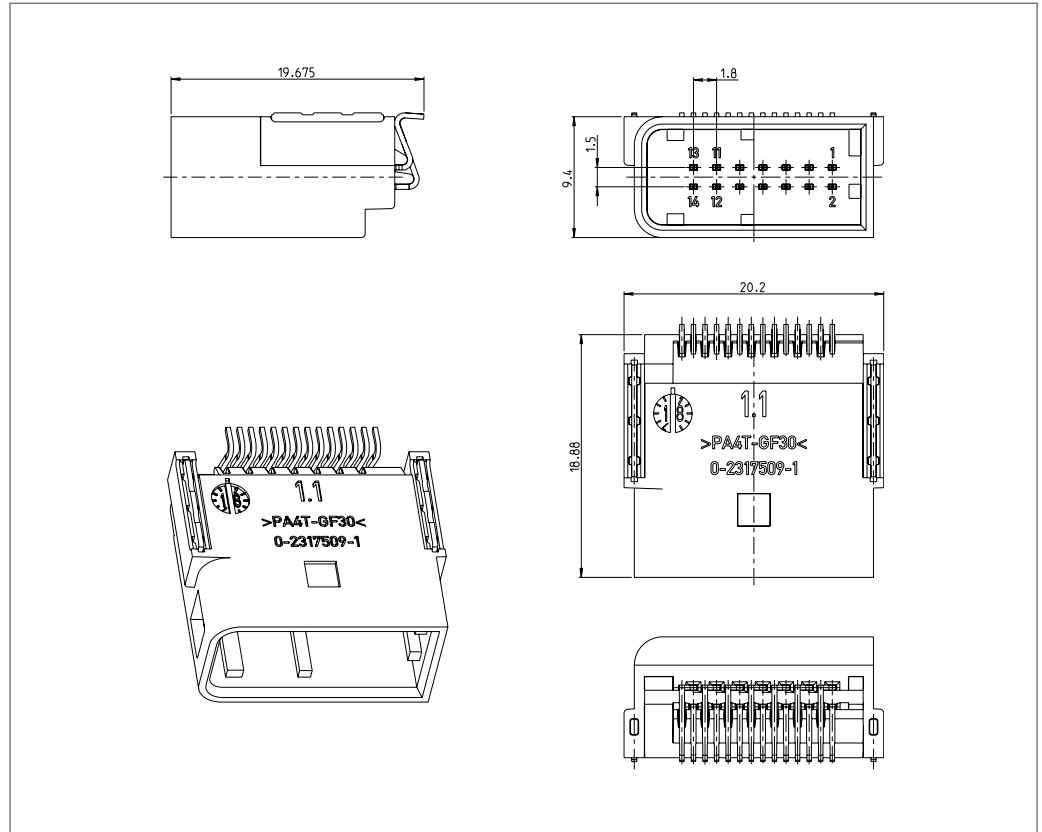
No. of Positions:
14 Positions

Housing Material:
PA4T-GF30

Material and Finish:
CuMg 0.1, Sn over Ni

Interface:
114-94000-20

PCB Headers - Right Angle - 2 Row Design - 14 Positions



| Keying Options | Housing Color | PCB Header Right Angle | Cover | Lever | Part Numbers | |
|----------------|---------------|---------------------------|-------|-------|----------------------------|---------------------------|
| | | | | | Mating Receptacle Housings | |
| | | | | | with CPA | no CPA |
| Coding A | Black | 2317509-1 | N/A | N/A | 2312112-1 | 2320014-1 |
| Coding B | Natural | 2317509-2 | | | 2312112-2 | 2320014-2 |
| Coding C | Blue | 2317509-3* | | | 2312112-3* | 2320014-3* |
| Coding D | Violet | 2317509-4* | | | 2312112-4* | 2320014-4* |

* on request

Mating Receptacle Housing with CPA see page 60

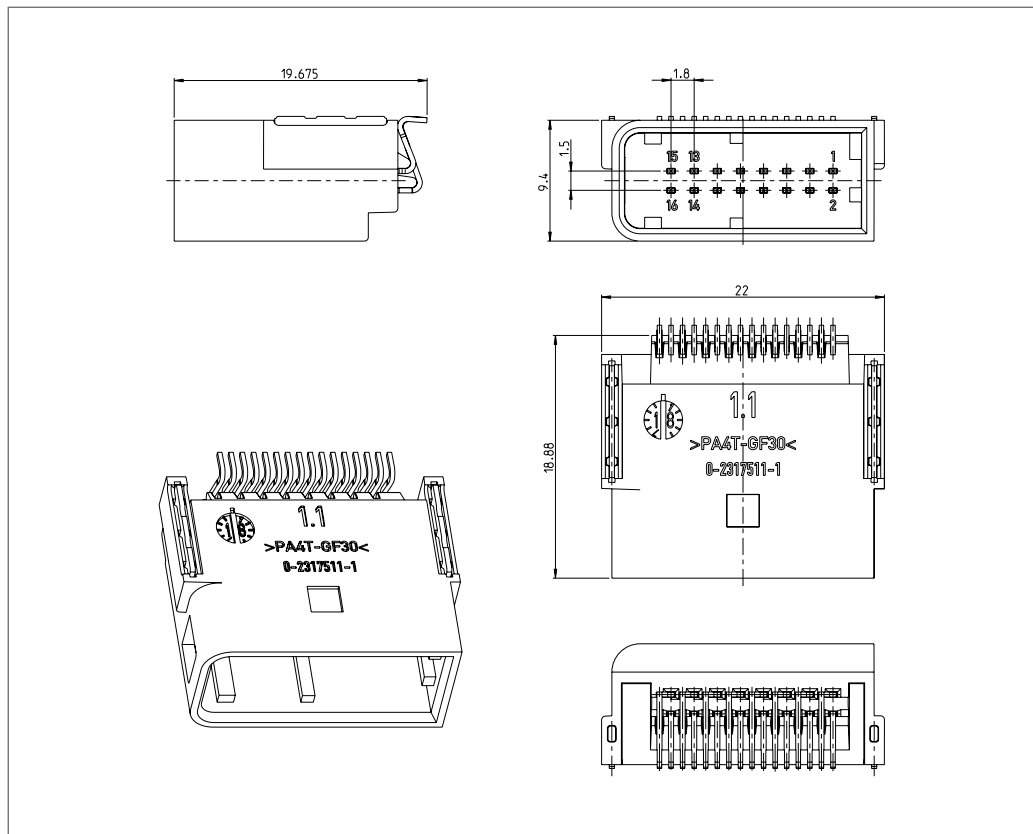


Mating Receptacle Housing no CPA see page 46





PCB Headers - Right Angle - 2 Row Design - 16 Positions



Technical Features

- No. of Positions:** 16 Positions
- Housing Material:** PA4T-GF30
- Material and Finish:** CuMg 0.1, Sn over Ni
- Interface:** 114-94000-20

| Keying Options | Housing Color | PCB Header Right Angle | Part Numbers | | | |
|----------------|---------------|---------------------------|--------------|-------|----------------------------|---------------------------|
| | | | Cover | Lever | Mating Receptacle Housings | |
| | | | | | with CPA | no CPA |
| Coding A | Black | 2317511-1 | N/A | N/A | 2312114-1 | 2320016-1 |
| Coding B | Natural | 2317511-2 | | | 2312114-2 | 2320016-2 |
| Coding C | Blue | 2317511-3 * | | | 2312114-3 * | 2320016-3 * |
| Coding D | Violet | 2317511-4 * | | | 2312114-4 * | 2320016-4 * |

* on request

Mating Receptacle Housing with CPA see page 61



Mating Receptacle Housing no CPA see page 47





Technical Features

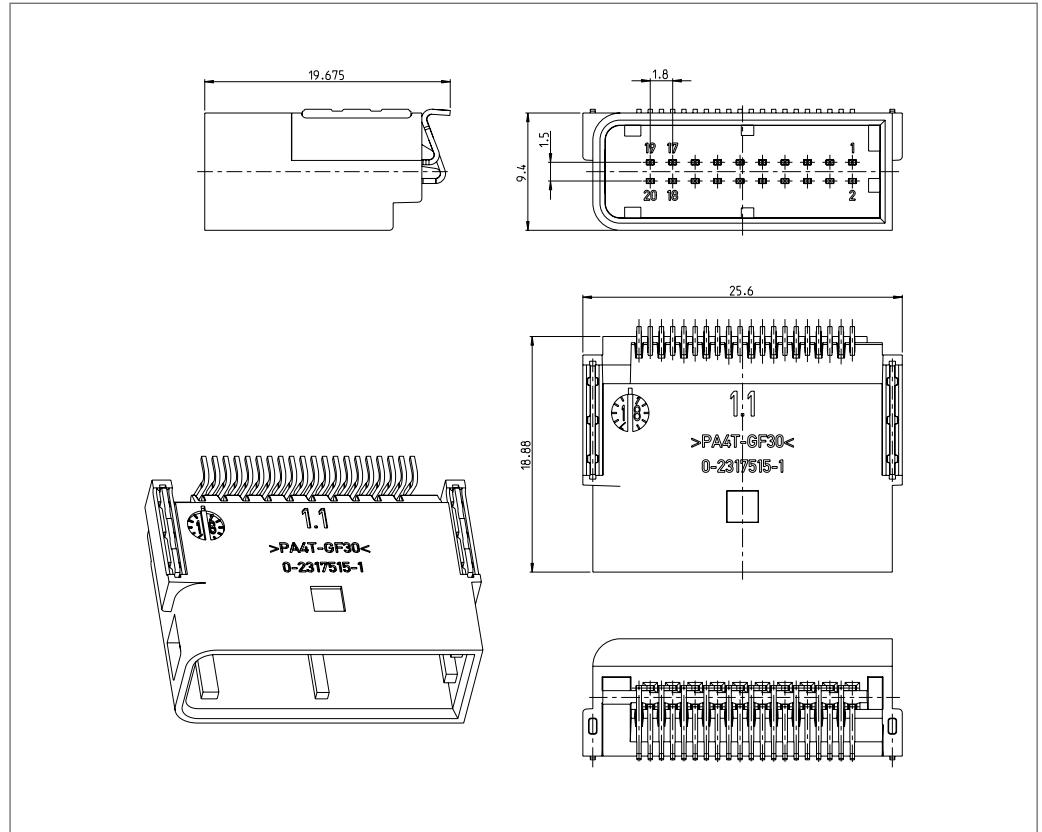
No. of Positions:
20 Positions

Housing Material:
PA4T-GF30

Material and Finish:
CuMg 0.1, Sn over Ni

Interface:
114-94000-20

PCB Headers - Right Angle - 2 Row Design - 20 Positions



| Keying Options | Housing Color | Part Numbers | | | | |
|----------------|---------------|---------------------------|-------|-------|----------------------------|---------------------------|
| | | PCB Header Right Angle | Cover | Lever | Mating Receptacle Housings | |
| | | | | | with CPA | no CPA |
| Coding A | Black | 2317515-1 | N/A | N/A | 2312118-1 | 2320020-1 |
| Coding B | Natural | 2317515-2 | | | 2312118-2 | 2320020-2 |
| Coding C | Blue | 2317515-3* | | | 2312118-3* | 2320020-3* |
| Coding D | Violet | 2317515-4* | | | 2312118-4* | 2320020-4* |

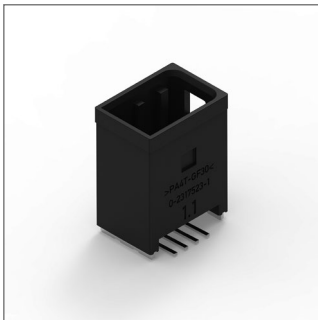
* on request

Mating Receptacle Housing with CPA see page 63

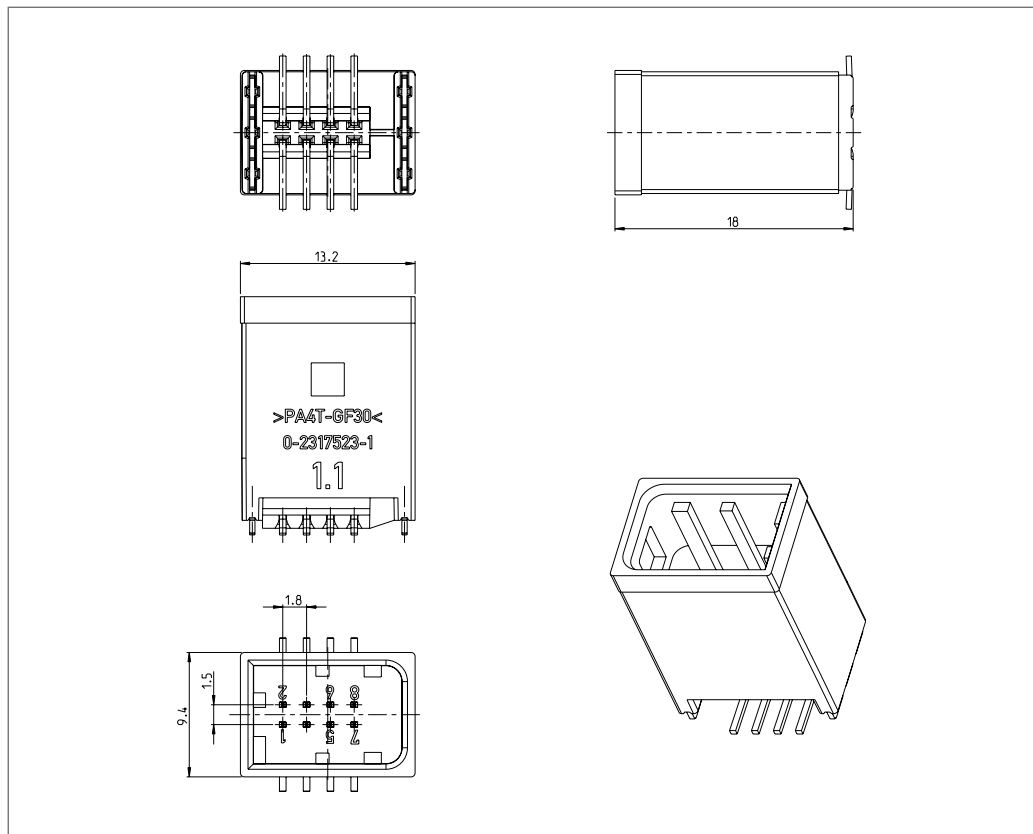


Mating Receptacle Housing no CPA see page 49





PCB Headers - Vertical Angle - 2 Row Design - 8 Positions



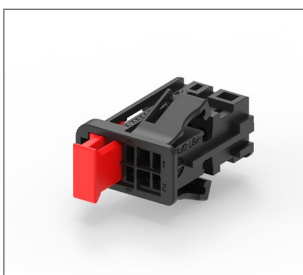
Technical Features

- No. of Positions:**
8 Positions
- Housing Material:**
PA4T-GF30
- Material and Finish:**
CuMg 0.1, Sn over Ni
- Interface:**
114-94000-20

| Keying Options | Housing Color | PCB Header Vertical Angle | Cover | Lever | Part Numbers | |
|----------------|---------------|---------------------------|-------|-------|----------------------------|---------------------------|
| | | | | | Mating Receptacle Housings | |
| | | | | | with CPA | no CPA |
| Coding A | Black | 2317523-1 | N/A | N/A | 2312106-1 | 2320008-1 |
| Coding B | Natural | 2317523-2 | | | 2312106-2 | 2320008-2 |
| Coding C | Blue | 2317523-3* | | | 2312106-3* | 2320008-3* |
| Coding D | Violet | 2317523-4* | | | 2312106-4* | 2320008-4* |

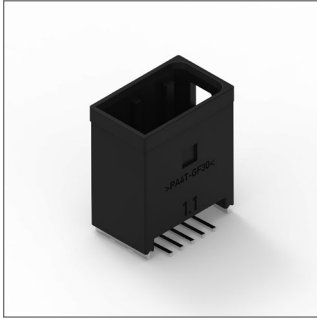
* on request

Mating Receptacle Housing with CPA see page 57



Mating Receptacle Housing no CPA see page 43





Technical Features

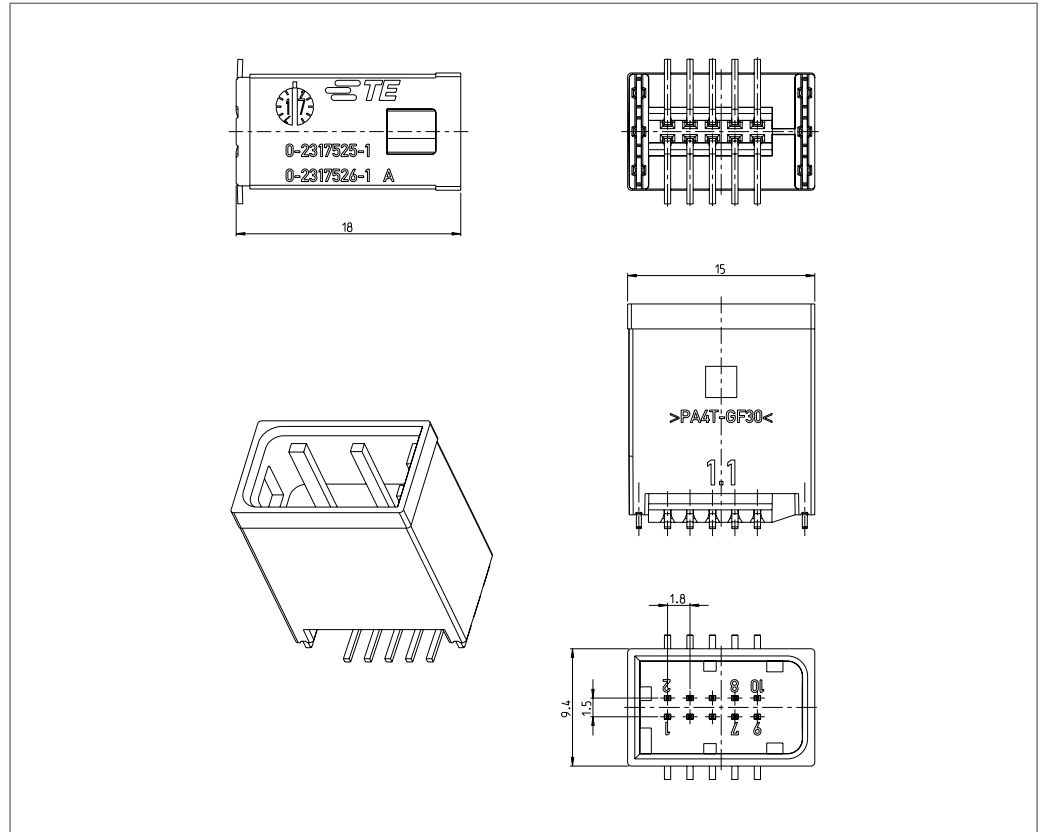
No. of Positions:
10 Positions

Housing Material:
PA4T-GF30

Material and Finish:
CuMg 0.1, Sn over Ni

Interface:
114-94000-20

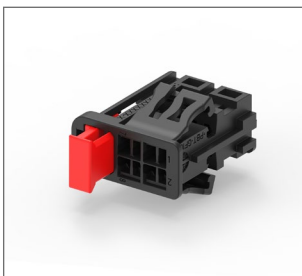
PCB Headers - Vertical Angle - 2 Row Design - 10 Positions



| Keying Options | Housing Color | Part Numbers | | | | |
|----------------|---------------|---------------------------|-------|-------|----------------------------|---------------------------|
| | | PCB Header Vertical Angle | Cover | Lever | Mating Receptacle Housings | |
| | | | | | with CPA | no CPA |
| Coding A | Black | 2317525-1 | N/A | N/A | 2312108-1 | 2302475-1 |
| Coding B | Natural | 2317525-2 | | | 2312108-2 | 2302475-2 |
| Coding C | Blue | 2317525-3* | | | 2312108-3* | 2302475-3* |
| Coding D | Violet | 2317525-4* | | | 2312108-4* | 2302475-4* |

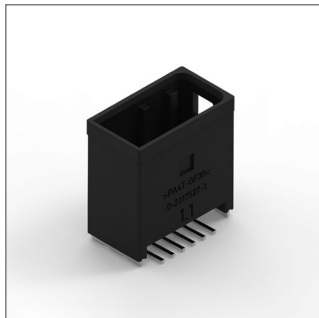
* on request

Mating Receptacle Housing with CPA see page 58

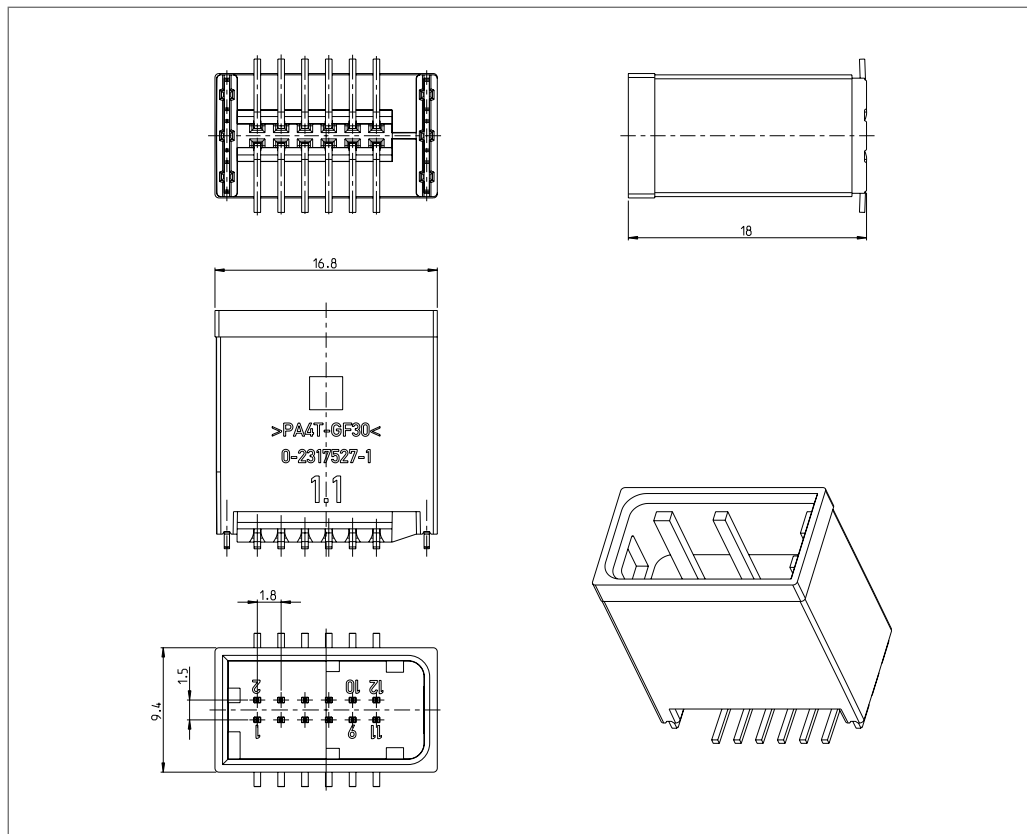


Mating Receptacle Housing no CPA see page 44





PCB Headers - Vertical Angle - 2 Row Design - 12 Positions



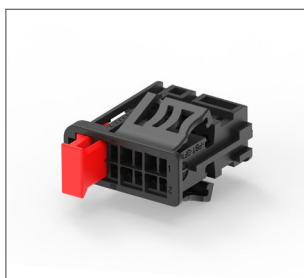
Technical Features

- No. of Positions:** 12 Positions
- Housing Material:** PA4T-GF30
- Material and Finish:** CuMg 0.1, Sn over Ni
- Interface:** 114-94000-20

| Keying Options | Housing Color | PCB Header Vertical Angle | Cover | Lever | Part Numbers | |
|----------------|---------------|---------------------------|-------|-------|----------------------------|---------------------------|
| | | | | | Mating Receptacle Housings | |
| | | | | | with CPA | no CPA |
| Coding A | Black | 2317527-1 | N/A | N/A | 2312110-1 | 2312212-1 |
| Coding B | Natural | 2317527-2 | | | 2312110-2 | 2312212-2 |
| Coding C | Blue | 2317527-3* | | | 2312110-3* | 2312212-3* |
| Coding D | Violet | 2317527-4* | | | 2312110-4* | 2312212-4* |

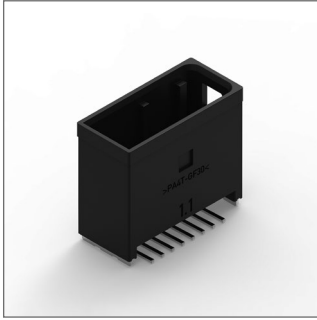
* on request

Mating Receptacle Housing with CPA see page 59



Mating Receptacle Housing no CPA see page 45





Technical Features

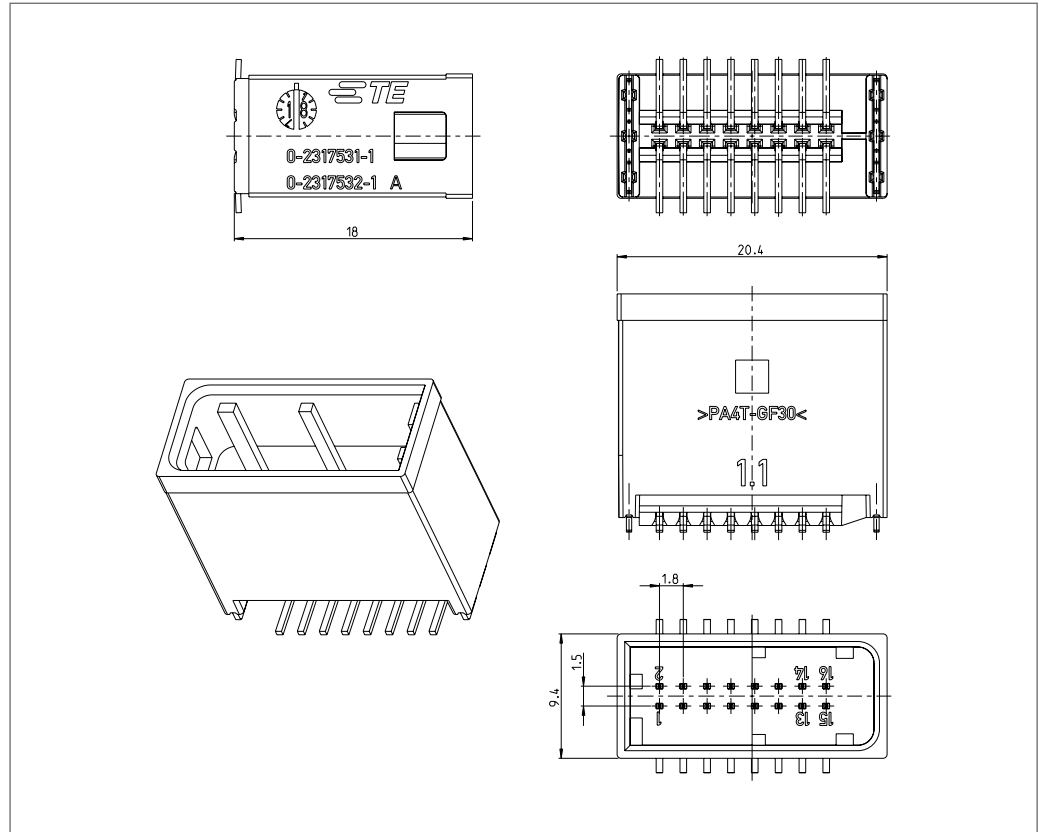
No. of Positions:
16 Positions

Housing Material:
PA4T-GF30

Material and Finish:
CuMg 0.1, Sn over Ni

Interface:
114-94000-20

PCB Headers - Vertical Angle - 2 Row Design - 16 Positions



| Keying Options | Housing Color | PCB Header Vertical Angle | Cover | Lever | Part Numbers | |
|----------------|---------------|---------------------------|-------|-------|----------------------------|---------------------------|
| | | | | | Mating Receptacle Housings | |
| | | | | | with CPA | no CPA |
| Coding A | Black | 2317531-1 | | | 2312114-1 | 2320016-1 |
| Coding B | Natural | 2317531-2 | N/A | N/A | 2312114-2 | 2320016-2 |
| Coding C | Blue | 2317531-3* | | | 2312114-3* | 2320016-3* |
| Coding D | Violet | 2317531-4* | | | 2312114-4* | 2320016-4* |

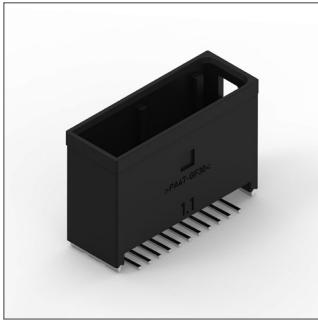
* on request

Mating Receptacle Housing with CPA see page 61

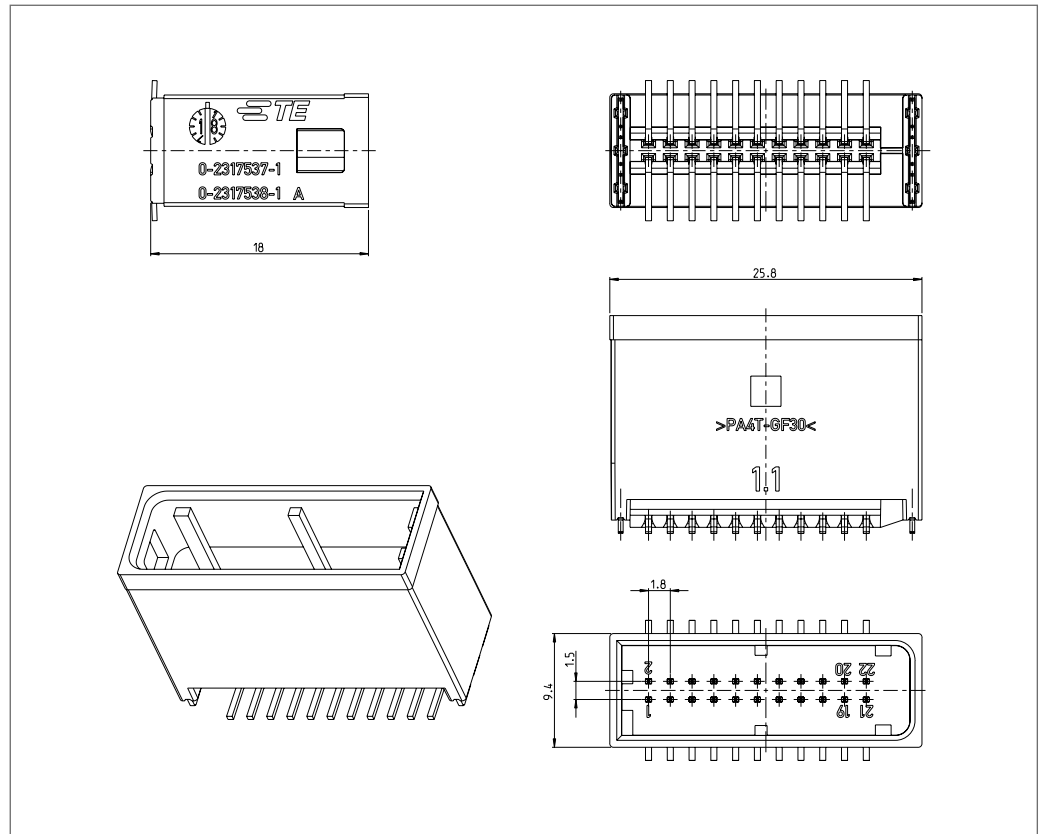


Mating Receptacle Housing no CPA see page 47





PCB Headers - Vertical Angle - 2 Row Design - 22 Positions



Technical Features

No. of Positions:
22 Positions

Housing Material:
PA4T-GF30

Material and Finish:
CuMg 0.1, Sn over Ni

Interface:
114-94000-20

| Keying Options | Housing Color | PCB Header Vertical Angle | Part Numbers | | | |
|----------------|---------------|---------------------------|--------------|-------|----------------------------|--------|
| | | | Cover | Lever | Mating Receptacle Housings | |
| | | | | | with CPA | no CPA |
| Coding A | Black | 2317537-1 | N/A | N/A | 2312120-1 | * |
| Coding B | Natural | 2317537-2 | | | 2312120-2 | * |
| Coding C | Blue | 2317537-3* | | | 2312120-3* | * |
| Coding D | Violet | 2317537-4* | | | 2312120-4* | * |

* on request

Mating Receptacle Housing with CPA see page 64



The table consists of a grid of 20 columns and 30 rows of dots. Most dots are grey, but several are highlighted in orange. The orange dots are located at the following approximate coordinates (row, column): (1, 6), (2, 16), (3, 1), (4, 11), (5, 15), (6, 20), (7, 1), (8, 11), (9, 15), (10, 19), (11, 15), (12, 19), (13, 19), (14, 19), (15, 19), (16, 19), (17, 19), (18, 19), (19, 19), (20, 19), (21, 19), (22, 19), (23, 19), (24, 19), (25, 19), (26, 19), (27, 19), (28, 19), (29, 19), (30, 19).

YOU CAN RELY ON APPLICATION TOOLING FROM TE CONNECTIVITY

TE's Application Tooling portfolio provides customers a wide range of flexible, high quality, reliable solutions that meet all levels of NanoMQS production volume requirements and product specifications.

For decades customers have come to trust the TE brand both during and after the sale thanks to a global network of field service engineers and product managers. We can supply product, training and support for everything from simple hand tools to the most complex automated systems.

Tooling for NanoMQS Applications

Insertion and extraction tools are used for inserting discrete terminals into connector housings or removing them, without causing damage to either the terminals or housings. Many different design types exist for our vast terminal product range including NanoMQS connectors.

Termination of small wires via crimping requires appropriate tools to confirm that the wire is terminated with the same level of quality that is generally expected of a crimp connection - this applies to automatic termination and hand-operation processes alike.

Only precision application tools like our specific applicators and hand tool for NanoMQS connectors deliver the essential air-tight crimping connection without potentially damaging the fine wire.

OCEAN 2.0 Applicators

Wire small diameter wire harness applications like NanoMQS require a high degree of quality, reliability and repeatability. Our OCEAN 2.0 applicators are crafted from high grade tool steels and processed through advanced CNC equipment for tight tolerances to meet demands for high repeatability and faster throughput. Its robust design is not only easy-to-install, but also designed for fast adjustments to make them even more accurate.



Insertion and extraction tools

YOU CAN RELY ON APPLICATION TOOLING FROM TE CONNECTIVITY

OCEAN 2.0 & GII Terminators: A Perfect Combo

Customers can take their NanoMQS wire processing to new levels by running an OCEAN 2.0 applicator in a GII bench top terminator. All GII models include precision adjustment for crimp height — an important feature, which, in combination with the optional Crimp Quality Monitor (CQM II), enables repeatable, tight crimp tolerances required for today's demands for higher levels of quality.

Defective crimp-cut models provide an even higher level of quality for customers looking to control defects from continuing in the manufacturing process, once a crimp error is detected. With the help of our CQM II, defective crimp cut technology can immediately detect when a bad crimp occurs and cut off the crimped terminal to keep bad crimps from accidentally passing to the next step in your wire harness manufacturing.

Trust on TE All Down the Line

Whether you're looking for high quality portable tools or need a semi-automatic termination solution to handle your crimping challenges, TE has the sales, engineering and field service support to guide you through the selection, installation and service of your equipment.

Visit tooling.te.com

or contact us at toolingsales@te.com to learn more.



OCEAN 2.0 Applicator

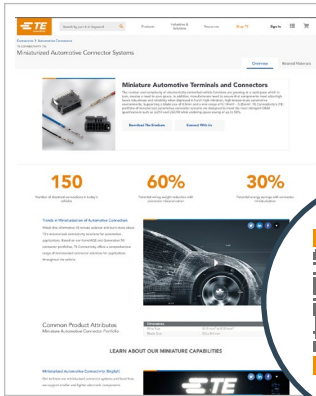


GII Terminator

www.TE.com

TE CONNECTIVITY ONLINE

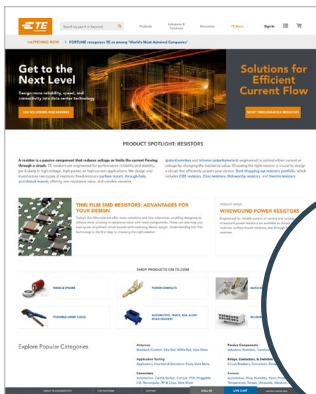
TE.com offers an enhanced digital experience, with more than 250,000 parts profiled. The site has deep, rich product data and easier access to tools and services. Other offerings include improved search and navigation and knowledge and idea sharing.



TE AUTOMOTIVE

We are one of the leading providers of advanced automobile connectivity solutions. The automotive industry uses our products in automotive technologies for body and chassis systems, convenience applications, driver information, infotainment solutions, miniaturization solutions, motor and powertrain applications, and safety and security systems. TE Connectivity is developing automotive solutions to help drive innovations for designs today and into tomorrow.

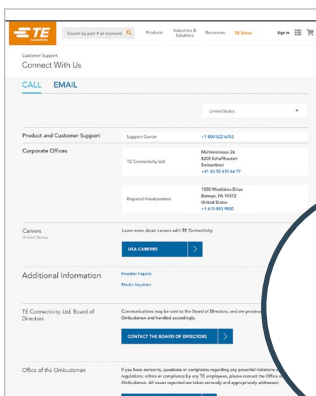
[Miniaturized Terminals and Connectors](#)



PRODUCT INFORMATION

Search for a specific product by category, part number or document number.

www.TE.com



STAY CONNECTED

You can rely on TE's PIC Team to answer your general or technical questions. To contact a PIC representative, visit

www.TE.com/support-center

EUROPE**Germany**

Product Information Center:
 Phone: +800 0440-5100
 Fax: +49 6251-133-1988

UNITED STATES**United States - Harrisburg**

Product Information Center:
 Phone: +1 800-522-6752
 Fax: +1 717-986-7575

SOUTH AMERICA**South America**

Phone: +54 11-4733-2015
 Fax: +54 11-4733-2083

AFRICA**South Africa -****Port Elizabeth**

Phone: +27 41-503-4500
 Fax: +27 41-581-0440

ASIA/PACIFIC**Australia - Sydney**

Product Information Center:
 Phone: +61 2-9840-8200
 Fax: +61 2-9634-6188

ASIA/PACIFIC**People's Republic of China**

Hong Kong
 Phone: +852 2738-8731
 Fax: +852 2735-0243

ASIA/PACIFIC**People's Republic of China**

Shanghai
 Phone: +86 21-3398-0000
 Fax: +86 21-3398-1999

ASIA/PACIFIC**Korea - Seoul**

Phone: +82 2-3415-4500
 Fax: +82 2-3486-3810

DISCLAIMER

This document reflects the state-of-the-art result of the work of TE Connectivity (TE). While TE has made every reasonable effort to ensure the accuracy of the information in this document, TE does not guarantee that it is error-free, nor does TE make any other representation, warranty or guarantee that the information is accurate, correct, reliable or current. TE expressly disclaims all implied warranties regarding the information contained herein, including, but not limited to, any implied warranties of merchantability or fitness for a particular purpose. The document is subject to change without notice. Consult TE for the latest dimensions and design specifications.

TRADEMARKS

NanoMQS, MCON, OCEAN, TE, TE Connectivity, TE connectivity (logo), and EVERY CONNECTION COUNTS are trademarks owned or licensed by the TE Connectivity Ltd. family of companies.

Other product names, logos, and company names mentioned herein may be trademarks of their respective owners.

COPYRIGHT

© 2021 TE Connectivity | All rights reserved.

aut-miniaturization-cat-1654334-1-en | Revision 09-2021

PUBLISHED BY

TE Connectivity Germany GmbH

Ampèrestrasse 12-14

64625 Bensheim | Germany

