

IPT-HD POWER BOLT HIGH-VOLTAGE CONNECTORS

**Increase Connector EMC Performance
and Assembly Efficiency**

FEATURES & BENEFITS

ENHANCED EMC PERFORMANCE

- Low-contact resistance shielding
- Handles excessive engine-level vibrations
- IP67, IP68 and IP6K9K sealing rated

INCREASED ASSEMBLY EFFICIENCY

- Flexible assembly with single wiring harness
- Quick, easy machining of mounting holes

BROADER RANGE OF APPLICATIONS

- 50/70/95 mm² conductor cross-sections
- ISO Compliant/LV216
- MCU, E-axle, and E-motor applications

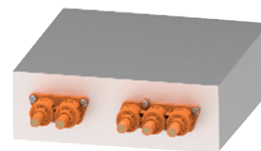
With the global drive to protect the environment and conserve energy, alternatives to fossil fuel are spearheading the demand for advanced, alternative energy vehicles. After years of development, manufacturers are continuously looking for ways to ensure the quality and safety of hybrid and electric vehicles – especially for vibration and shielding performance.

With a new shielding design, easy mounting holes, and flexible assembly connectivity, TE Connectivity's (TE) latest HIVONEX IPT-HD power bolt series meets the need! Complying with ISO and LV standards the new HIVONEX IPT-HD power bolt high-voltage connector offers a new shielding design, providing low-contact resistance and thicker options for conductor cross-sections used in MCU (Motor Control Unit), E-axle, and E-motor applications for renewable energy vehicles operating in demanding environments.

Providing low-contact resistance – even after the vibration – with 1-,2- and 3-position, HIVONEX IPT-HD power bolt connectors can be used in environments exposed to extreme temperatures (-40°C to +125°C) and excessively high engine-level vibrations



E-motor



MCU

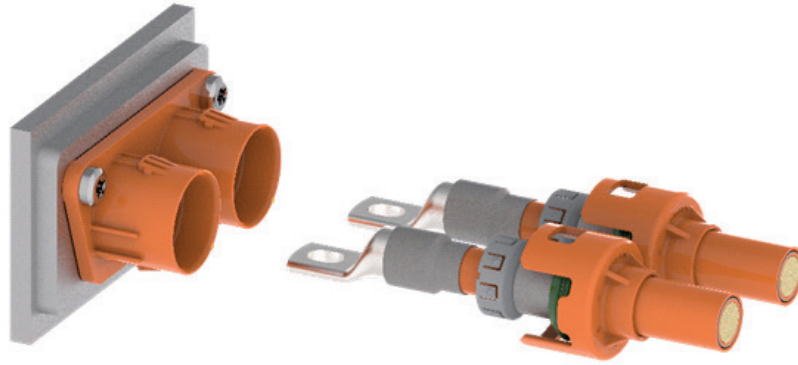


E-axle

With an ever-increasing demand for low-contact resistance and flexible assembly options for a wide range of diverse applications, the IPT-HD power bolt high-voltage connector comes in 50 mm² and 70 mm² conductor cross-sections, with a 95 mm² option available soon. In addition to the traditional integral wiring harness assembly and an easy machining process for mounting holes, the IPT-HD power bolt high-voltage connector provides a separate, single wiring harness for increased assembly flexibility.

IPT-HD Power Bolt High-Voltage Connectors

Increase Connector EMC Performance And Assembly Efficiency



The HIVONEX IPT-HD power bolt high-voltage connectors are widely used for a range of applications in demanding, high-current, high-vibration environments, such as bus, truck, agricultural, construction, and passenger vehicles.

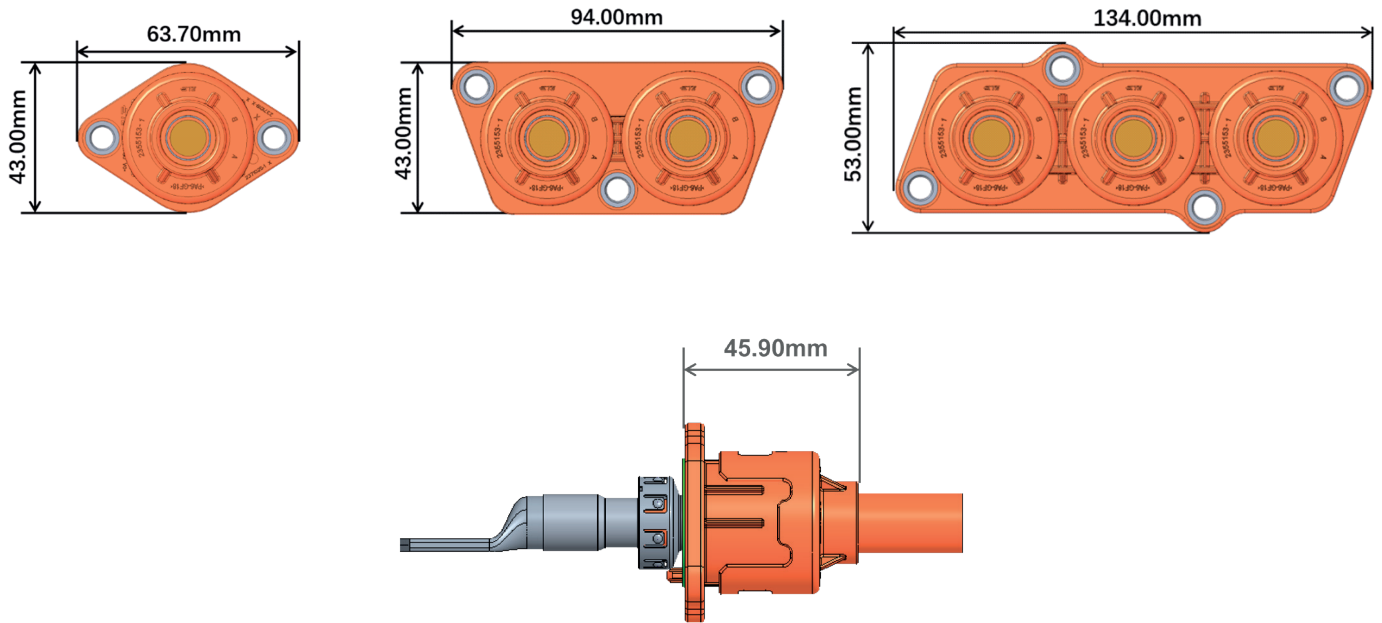
PART NUMBERS

IPT-HD Power Bolt Connector Housing					Cable Assembly Components							
Cavity	Picture	With Shipping Cap	Without Shipping Cap	QPA	Description	QPA	LV216 Cable			ISO Cable		
							50 mm ² Solution	70 mm ² Solution	95 mm ² Solution	50 mm ² Solution	70 mm ² Solution	95 mm ² Solution
3		2355146-1	2355146-2	1	Shielding	3	2355150-4	2355150-2	2355150-8	2355150-4	2355150-2	2355150-8
					Shielding Sleeve	3	2355148-2	2355148-1	2355148-4	2355148-3	2355148-1	2355148-5
					Single Wire Seal	3	2355151-2	2355151-1	2355151-3	2355151-2	2355151-1	2355151-3
					Seal Cover	3	2355153-2	2355153-1	2355153-5	2355153-4	2355153-3	2355153-6
					Ring Tongue Terminal	3	3-2177380-1	2365737-1	2365737-2	3-2177380-1	2365737-1	2365737-2
2		2371017-1	2371017-2	1	Shielding	2	2355150-4	2355150-2	2355150-8	2355150-4	2355150-2	2355150-8
					Shielding Sleeve	2	2355148-2	2355148-1	2355148-4	2355148-3	2355148-1	2355148-5
					Single Wire Seal	2	2355151-2	2355151-1	2355151-3	2355151-2	2355151-1	2355151-3
					Seal Cover	2	2355153-2	2355153-1	2355153-5	2355153-4	2355153-3	2355153-6
					Ring Tongue Terminal	2	3-2177380-1	2365737-1	2365737-2	3-2177380-1	2365737-1	2365737-2
1		2371019-1	2371019-2	1	Shielding	1	2355150-4	2355150-2	2355150-8	2355150-4	2355150-2	2355150-8
					Shielding Sleeve	1	2355148-2	2355148-1	2355148-4	2355148-3	2355148-1	2355148-5
					Single Wire Seal	1	2355151-2	2355151-1	2355151-3	2355151-2	2355151-1	2355151-3
					Seal Cover	1	2355153-2	2355153-1	2355153-5	2355153-4	2355153-3	2355153-6
					Ring Tongue Terminal	1	3-2177380-1	2365737-1	2365737-2	3-2177380-1	2365737-1	2365737-2

IPT-HD Power Bolt High-Voltage Connectors

Increase Connector EMC Performance And Assembly Efficiency

DIMENSIONS



SPECIFICATIONS

Operating Temperature

- -40°C - +125°C

Voltage Range

- 1000 V

Conductor Cross-sections

- 50/70/95 mm²

Current Carrying Capacity

- 250A/300A/400A @85°C

Vibration Level

- ISO 16750-3/LV214-S4/USCAR V3

Fire Classification

- UL94-V0

Shielding

- 360° with low contact resistance

IP Rating

- IP67, IP68, IP6K9K

Product Specification

- 108-160140, 108-160480

Application Specification

- 114-160083, 114-160263

[te.com/HIVONEX](https://www.te.com/HIVONEX)

© 2023 TE Connectivity. All rights reserved.

HIVONEX, TE, TE Connectivity, and TE connectivity (logo) are trademarks owned or licensed by the TE Connectivity Ltd. family of companies. Other logos, product(s) and/or company names might be trademarks of their respective owners.

TE Connectivity's (TE's) only obligations are those stated in TE's General Terms and Conditions of Business (www.te.com/aboutus/tandc.asp). While TE has made every reasonable effort to ensure the accuracy of the information in this catalog, TE does not guarantee that it is error-free, nor does TE make any other representation, warranty or guarantee that the information is accurate, correct, reliable or current. TE reserves the right to make any adjustments to the information contained herein at any time without notice. TE expressly disclaims all implied warranties regarding the information contained herein, including, but not limited to, any implied warranties of merchantability or fitness for a particular purpose. The specifications in this catalog are for reference purposes only and are subject to change without notice. Consult TE for the latest dimensions and design specifications.

4-1773985-1 | Revision 07-2023